

Specifications

Temperature range: $-25^{\circ}\text{C}\sim+85^{\circ}\text{C}$

Voltage rating: 100V

Current rating: 3A

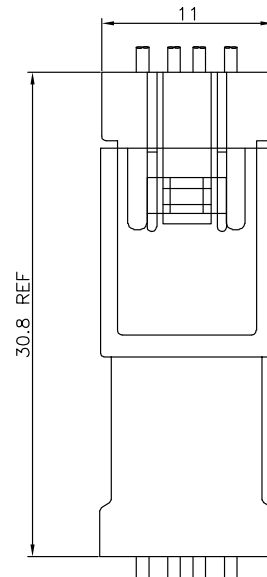
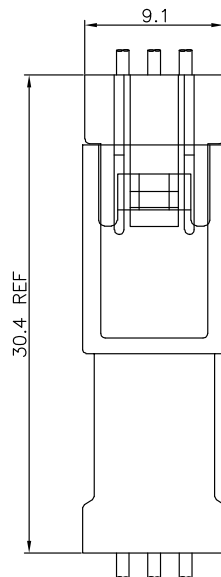
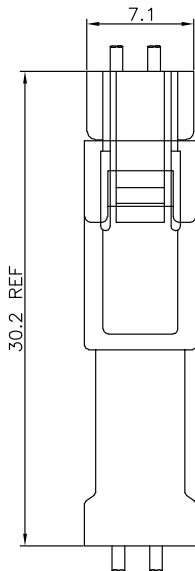
Contact resistance: $10\text{m}\Omega$ Max

Insulation resistance: $1000\text{M}\Omega$ Min

Withstand voltage: 1000V AC

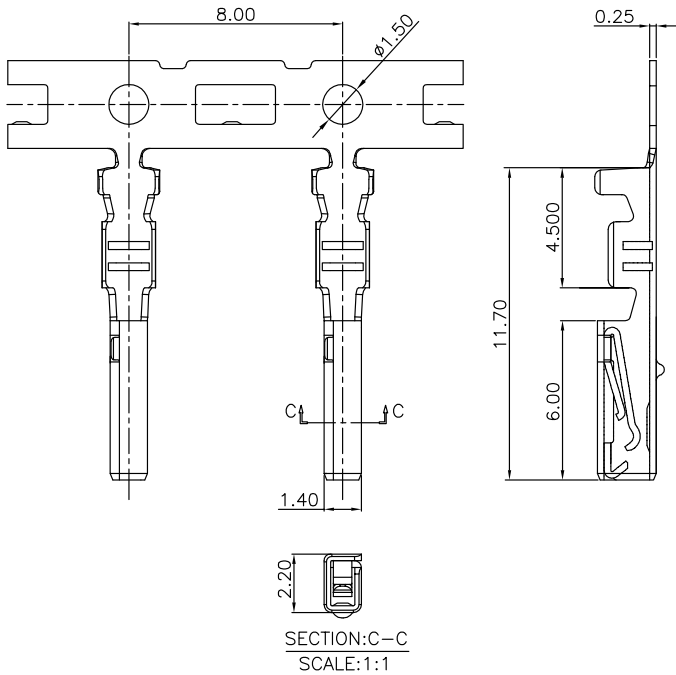
Assembly layout

wire to wire



C2004TFX-X

Pitch 2.00mm Terminal

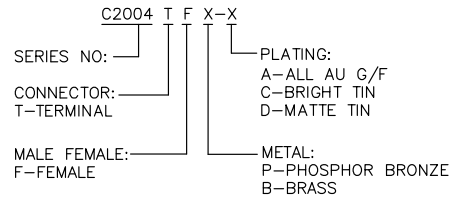


Specifications

MATERIAL SPECIFICATION:
Terminal: Phosphor Bronze

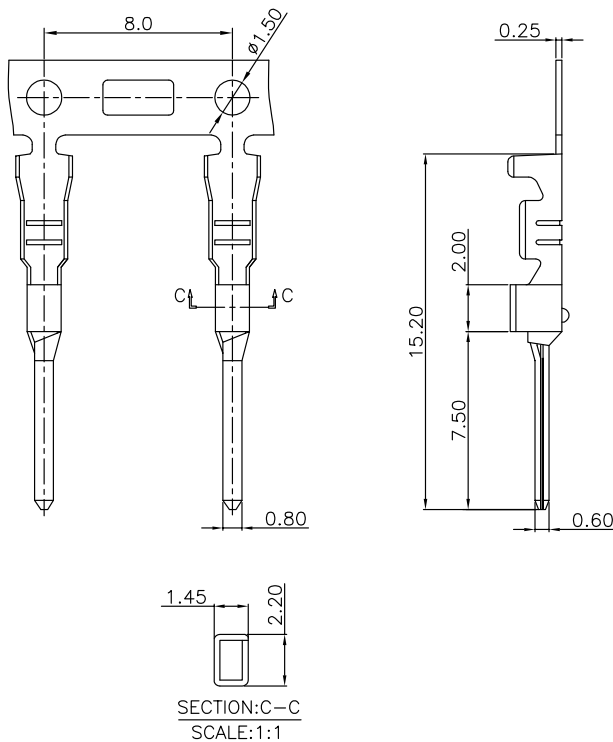
PLATING SPECIFICATION:
Bright tin

APPLICABLE WIRES:AWG #22-#26
SUITABLE C2004 series Male housing



C2004TMX-X

Pitch 2.00mm Terminal

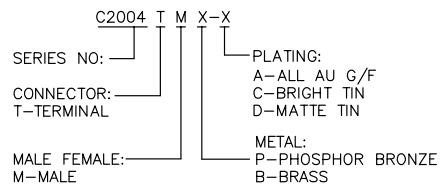


Specifications

MATERIAL SPECIFICATION:
Terminal: Phosphor Bronze

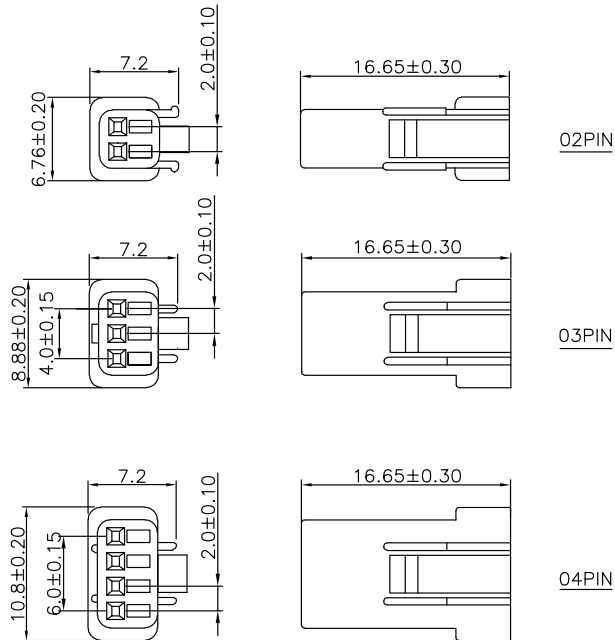
PLATING SPECIFICATION:
Bright tin

APPLICABLE WIRES:AWG #22-#26
SUITABLE C2004 series Female housing



C2004HM-1XXX0

Pitch 2.00mm Single row Housing



Specifications

MATERIAL SPECIFICATION:
Housing: PBT,94V-0

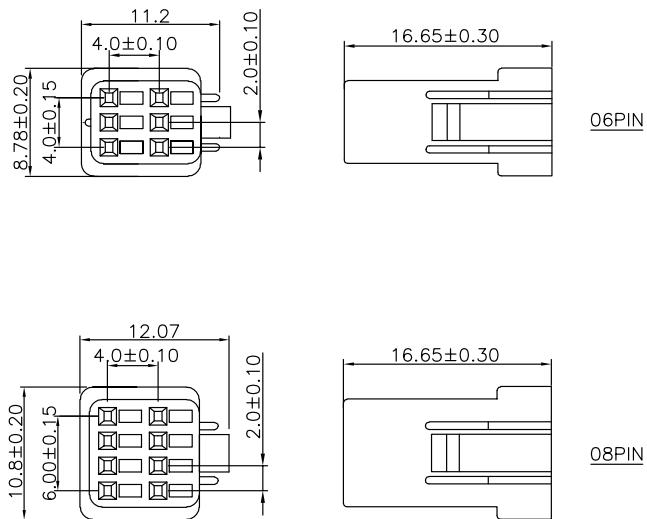
Suitable C2004 series Terminal
Mates With C2004 series Female housing

C2004 H M-1 XX X 0
 SERIES NO: | | | | |
 CONNECTOR: | | | | |
 H-HOUSING | | | | |
 MALE FEMALE: | | | | |
 M-MALE | | | | |

COLOR:
K-WHITE
 PIN Q'PY:
02~04
 ROW NO:
1-SINGLE ROW

C2004HM-2XXX0

Pitch 2.00mm Double row Housing



Specifications

MATERIAL SPECIFICATION:
Housing: PBT,94V-0

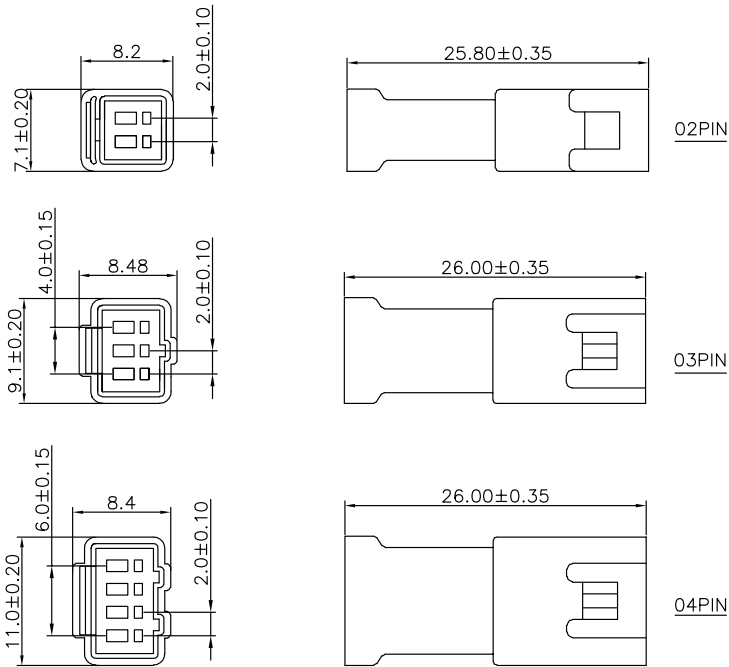
Suitable C2004 series Terminal
Mates With C2004 series Female housing

C2004 H M-2 XX X 0
 SERIES NO: | | | | |
 CONNECTOR: | | | | |
 H-HOUSING | | | | |
 MALE FEMALE: | | | | |
 M-MALE | | | | |

COLOR:
K-WHITE
 PIN Q'PY:
06~08
 ROW NO:
2-DOUBLE ROW

C2004HF-1XXX0

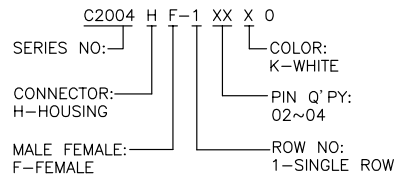
Pitch 2.00mm Single row Housing



Specifications

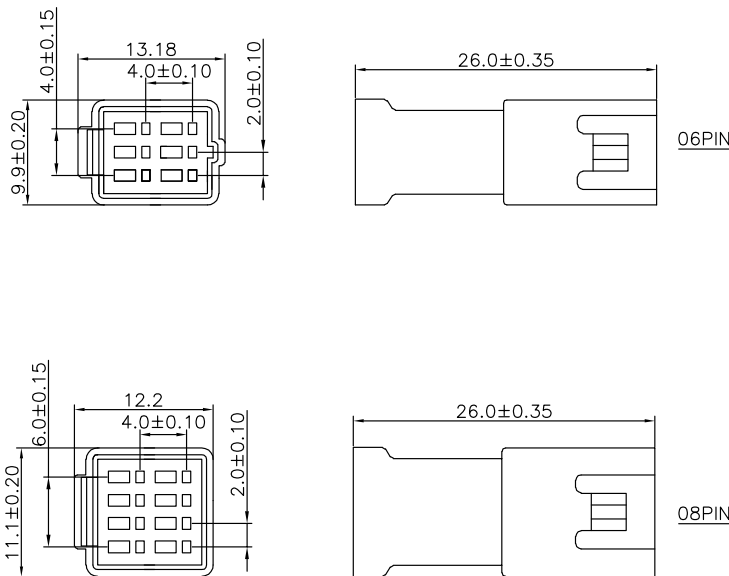
MATERIAL SPECIFICATION:
Housing: PBT,94V-0

Suitable C2004 series Terminal
Mates With C2004 series Male housing



C2004HF-2XXX0

Pitch 2.00mm Double row Housing



Specifications

MATERIAL SPECIFICATION:
Housing: PBT,94V-0

Suitable C2004 series Terminal
Mates With C2004 series Male housing

