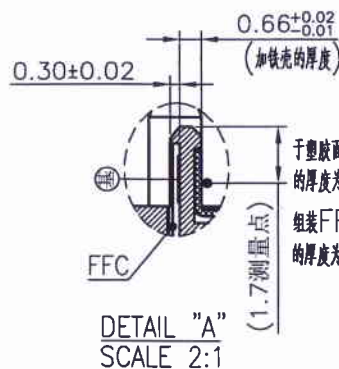
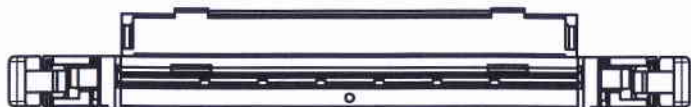
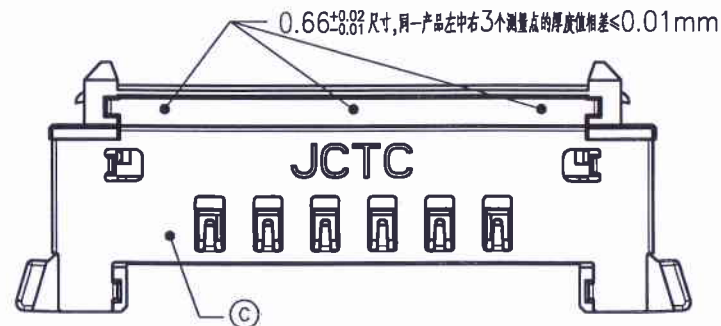
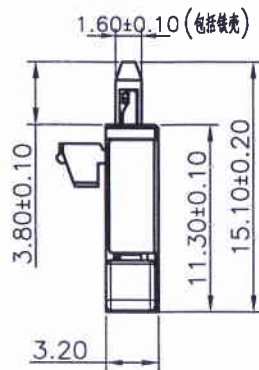
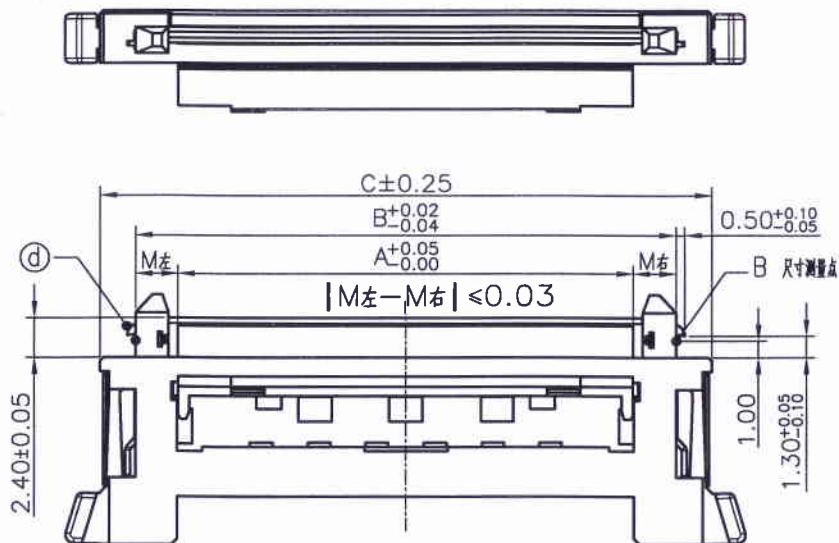


RoHS

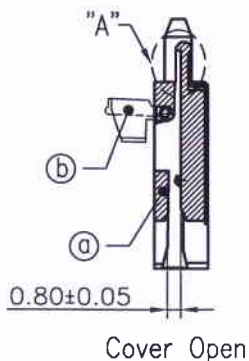


说明:
 额定电压 : 200V AC/DC
 额定电流 : 0.7A AC,DC
 耐电压 : 500V AC/分钟
 接触电阻 : 40mΩ(Max.)
 绝缘电阻 : 100MΩ(Min.)
 适用温度范围 : -40°C~+85°C
 卡钩退出力 : 1.50KG F/MIN
 盐雾测试48小时后, 无明显损坏电气性能满足要求
 卡钩按压50次后, 连接器与板端匹配无异响



10500H00-NP-F-B-S1
 ① ② ③ ④ ⑤ ⑥

- ① Series No.
- ② H90 : Side Contact
H00 : Up Contact
- ③ No. of Circuits
- ④ F: FFC Type
- ⑤ B: B Type
- ⑥ S1: S1 Type



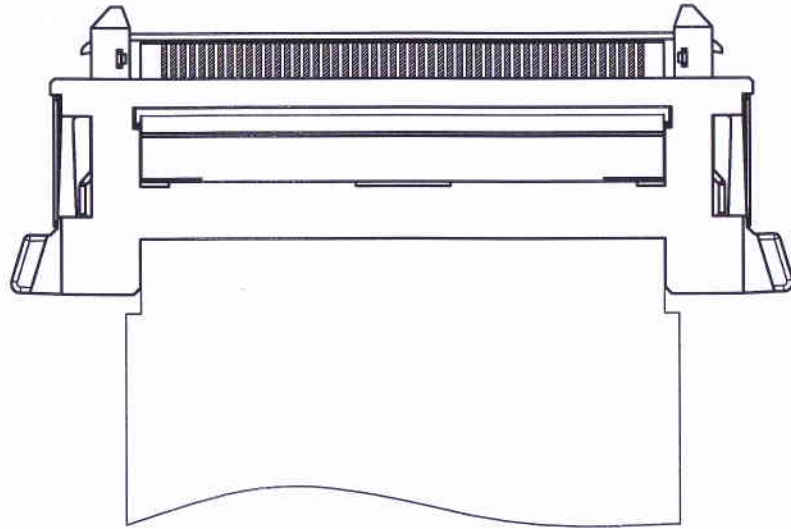
Dimensional Ordering Information:			
Circuits Part No	Dimensions		
	A	B	C
41P	22.47	27.60	31.85
51P	27.47	32.60	36.85

No.	Description	Material	Color
a	Insulator	High temperature plastic,UL94V-0	Black
b	Cover	High temperature plastic,UL94V-0	Black
c	Ground plate	Stainless	---
d	Lock lever	Stainless	---

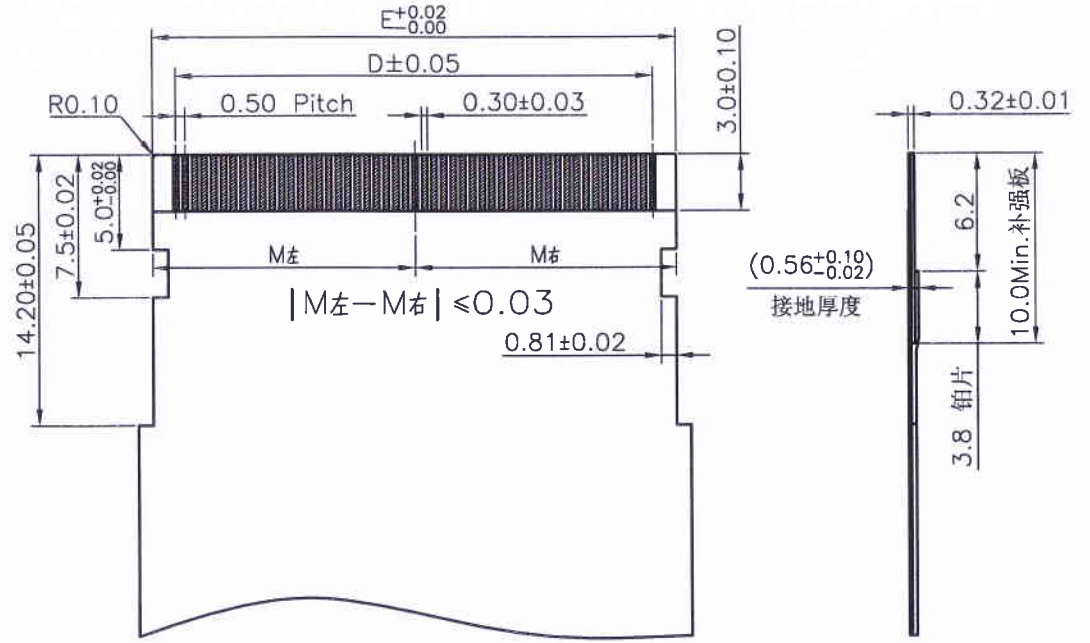
REV.	REVISION RECORD		DATE	GENERAL TOLERANCES	SCALE: 1:1	NAME	DATE
	NO.	DESCRIPTION					
D0	HN1408200151		14.08.22	LINEAR			
D1	HN1408260156		14.08.27	0.0±0.25			
D2	HN1503200047		15.03.25	X° REF±6°			
D3	变更公司名称		17.03.20	0.00±0.15			
				X° ±3°			
				0.000±0.08			
				X° X'±2°			

JCTC ® 胜蓝科技股份有限公司 TERMINAL&CONNECTORS 东莞市富智达电子科技有限公司	PART NO:	10500H00-NP-F-B-S1	
	DWG NO:	ENDE05	
	TITLE:	FI-RE 0.50mm PITCH - FFC TYPE	
REV:	D3	SHEET:	1/2

RoHS



Mated condition (REF.)



Recommended FFC dimension



Dimensional Ordering Information:		
Circuits Part No	Dimensions	
	D	E
41P	20.00	22.47
51P	25.00	27.47

REV.	REVISION RECORD	DATE	GENERAL TOLERANCES		SCALE:	NAME	DATE	JCTC ® 胜蓝科技股份有限公司 TERMINAL&CONNECTORS 东莞市富智达电子科技有限公司	PART. NO:
C1	HN1308200138	13. 09. 09	LINEAR 0.0±0.25	ANGLES X° REF±6°	1:1	APPROVED	17.03.20		10500H00-NP-F-B-S1
C2	HN1401170005	14. 01. 21			UNIT: MM SIZE: A4				X° ±3°
C3	HN1407210144	14. 08. 13	X° X'±2°	DRAWN		TITLE: FI-RE 0.50mm PITCH - FFC TYPE	ENDE05 REV: C4 SHEET: 2/2		
C4	变更公司名称	17. 03. 20				卢小锋 17.03.20			