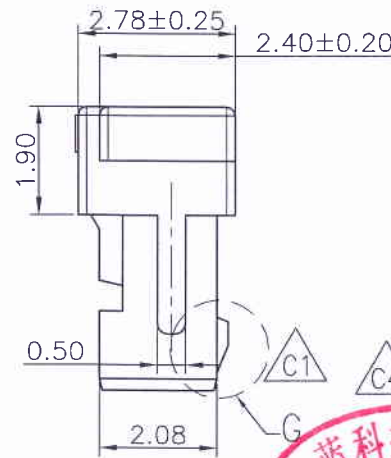
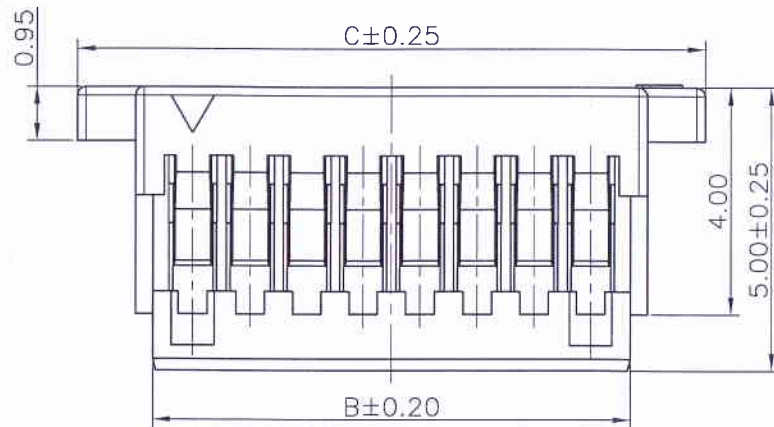


Specifications:
 Rated Voltage : 50V AC/DC
 Rated Current : 1A AC,DC
 Withstand Voltage : 500V AC/minute
 Contact Resistance : 20mΩ(MAX.)
 Insulation Resistance : 100MΩ(MIN.)
 Temperature Range : -25°C~+85°C
 The product using material and processing must conform to the "WI-PZ-142"HSF technical standard control requirements

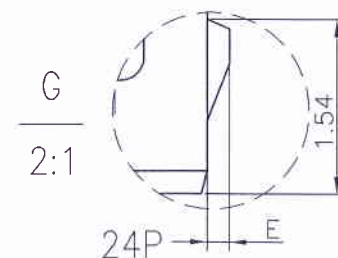
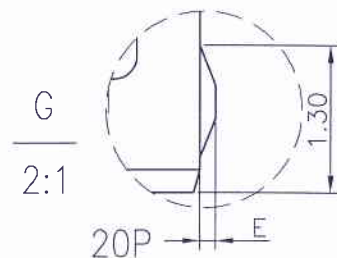
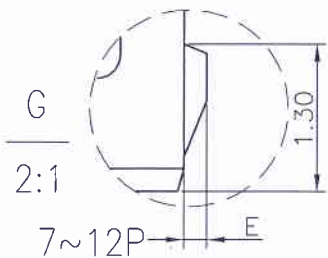
11002H00-NPX-T-HF

① ② ③④⑤⑥

- ① Series No.
- ② H90 : Side Contact
H00 : Up Contact
- ③ No. of Circuits
- ④ A: Product color (A--Y)
Blank : Natural type
- ⑤ T : Mount type
- ⑥ HF : Halogen Free



Circuits Part No	Dimensions				
	A	B	C	D	E
7P	6.00	7.40	10.00	5.00	0.20
8P	7.00	8.40	11.00	6.00	0.20
10P	9.00	10.40	13.00	8.00	0.20
12P	11.00	12.40	15.00	10.00	0.20
20P	19.00	20.40	23.00	18.00	0.14
24P	23.00	24.40	27.00	22.00	0.20



Reference for JCTC 11002 series terminal

Part No.	Material	Color
11002H00-NP-T	PBT,UL94V-0	Natural(White)
11002H00-NPA-T	PBT,UL94V-0	Black
11002H00-NP-T-HF	Nylon 66,UL94V-0	Natural(White)

REV.	REVISION RECORD	DATE	GENERAL TOLERANCES	SCALE:	NAME	DATE	PART. NO.:
C1	纠正8P、20P、24P的卡点	10.10.30	LINEAR	1:1			11002H00-NPX-T-XX
C2	HR1107090108	11.07.09	ANGLES				
C3	变更公司名称	17.03.02	0.0±0.25				
C4	HN1906180110	19.06.05	X° REF±6°				
			0.00±0.15				
			X° ±3°				
			0.000±0.08				
			X° X'±2°				

JCTC 胜蓝科技股份有限公司
 TERMINAL&CONNECTORS 东莞市富智达电子科技有限公司

TITLE: JST 1.00mm PITCH HOUSING

DWG. NO: ENDE05
 REV: C4 SHEET: 1/1