

Specifications:

Rated Voltage : 50V AC/DC

Rated Current : 1A AC,DC

Withstand Voltage : 500V AC/minute

Contact Resistance : 20mΩ(MAX.)

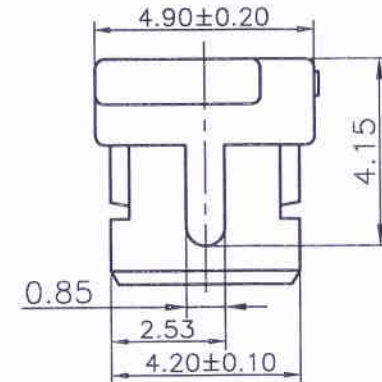
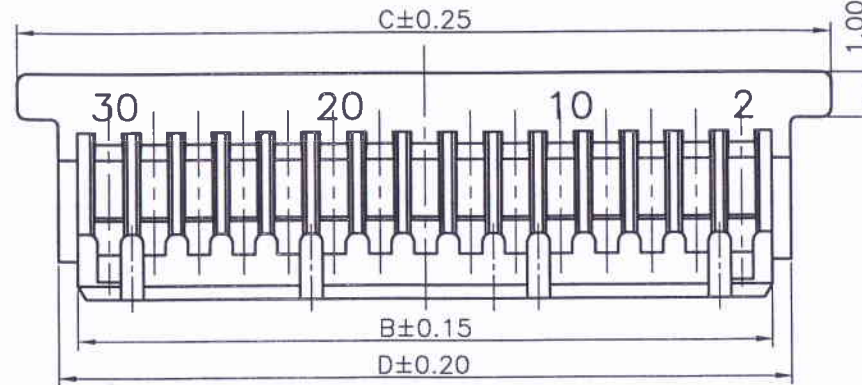
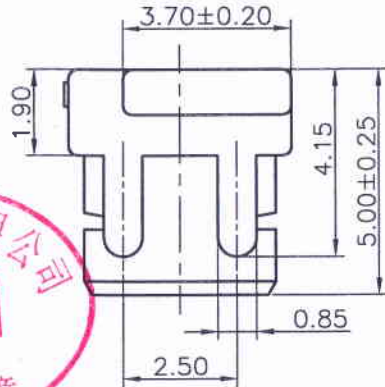
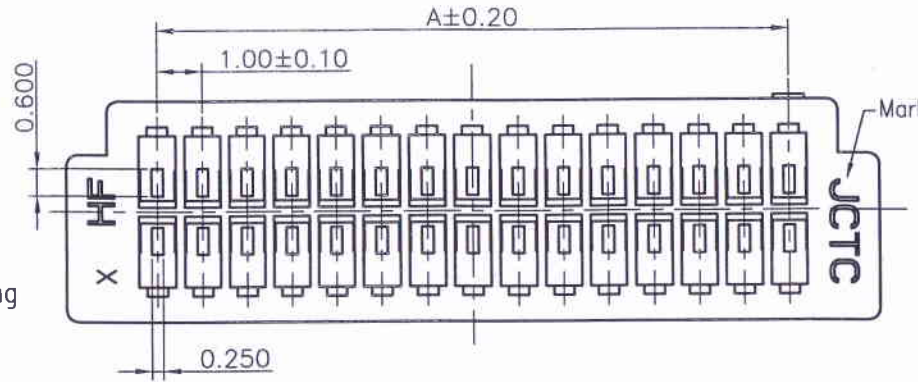
Insulation Resistance : 100MΩ(MIN.)

Temperature Range : -25°C~+85°C

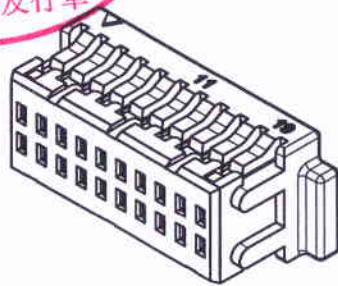
The product using material and processing must conform to the "WI-PZ-142" HSF technical standard control requirements

Dimensional Ordering Information:

Circuits	Dimensions			
	A	B	C	D
2x5P	4.00	5.35	8.00	6.20
2x6P	5.00	6.35	9.00	7.20
2x7P	6.00	7.35	10.00	8.20
2x8P	7.00	8.35	11.00	9.20
2x9P	8.00	9.35	12.00	10.20
2x10P	9.00	10.35	13.00	11.20
2x12P	11.00	12.35	15.00	13.20
2x15P	14.00	15.35	18.00	16.20
2x17P	16.00	17.35	20.00	18.20
2x18P	17.00	18.35	21.00	19.20
2x20P	19.00	20.35	23.00	21.20
2x25P	24.00	25.35	28.00	26.20



胜蓝科技股份有限公司
2017.08.16
工程部
技术文件发行章



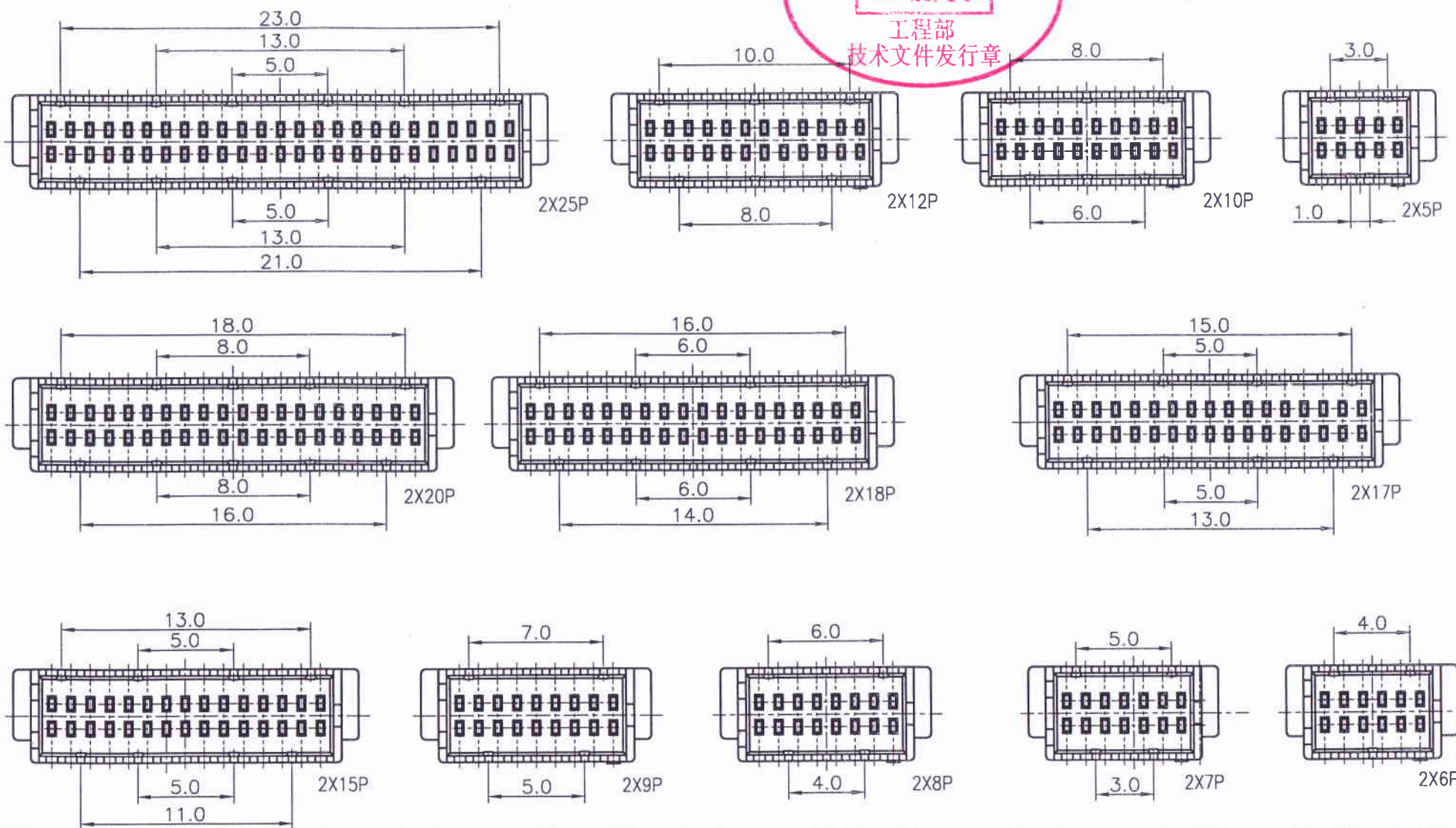
11002H00-2XNPX-HF-NK
① ② ③ ④ ⑤ ⑥

- ① Series No.
- ② H90 : Side Contact
H00 : Up Contact
- ③ No. of Circuits
- ④ A: Product color (A--Y)
Blank : Natural type
- ⑤ HF : Halogen Free
- ⑥ Blank: Mark NK: No Mark

Suitable for JCTC 11002 series terminal

Part No.	Material	Color
11002H00-2XNP	PBT,UL94V-0	Natural(White)
11002H00-2XNP-NK	PBT,UL94V-0	Natural(White)
11002H00-2XNP-HF	Nylon 66,UL94V-0	Natural(White)
11002H00-2XNP-HF-NK	Nylon 66,UL94V-0	Natural(White)
11002H00-2XNPA-HF	Nylon 66,UL94V-0	Natural(Black)
11002H00-2XNPM-HF	Nylon 66,UL94V-0	Natural(Beige)

REV.	REVISION RECORD	DATE	GENERAL TOLERANCES	SCALE:	NAME	DATE	JCTC ® 胜蓝科技股份有限公司 TERMINAL&CONNECTORS 东莞市富智达电子科技有限公司 TITLE: JST 1.00mm PITCH HOUSING	PART.NO:
C1	新增黑色无卤料号	11.05.18	LINEAR	1:1	APPROVED	16.8.17		11002H00-2XNPX-XX-XX
C2	新增规格	12.05.08	0.0±0.25	ANGLES	DESIGNER	17.08.16		DWG.NO:
C3	新增2x7P规格	15.03.17	0.00±0.15	X° REF±6°	DRAWN	卢小锋		ENDE05
C4	变更公司名称	17.08.16	0.000±0.08	X° X'±2°			REV: C4 SHEET: 1/2	



REV.	REVISION RECORD		DATE	GENERAL TOLERANCES	SCALE: 1:1	NAME	DATE	PART. NO:
	ECN	DESCRIPTION						
C1	ECN1008060058		10.08.06					11002H00-2XNPX-XX-XX
C2	新增规格		12.05.08	0.0±0.25	X° REF±6°			DWG. NO:
C3	新增2x7P规格		15.03.17	0.00±0.15	X° ±3°			ENDE05
C4	变更公司名称		17.08.16	0.000±0.08	X° X'±2°	DESIGNER 卢小锋	17.08.16	REV: C4 SHEET: 2/2

JCTC® 胜蓝科技股份有限公司
 TERMINAL&CONNECTORS 东莞市富智达电子科技有限公司
 TITLE: JST 1.00mm PITCH HOUSING