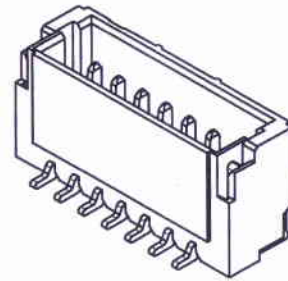
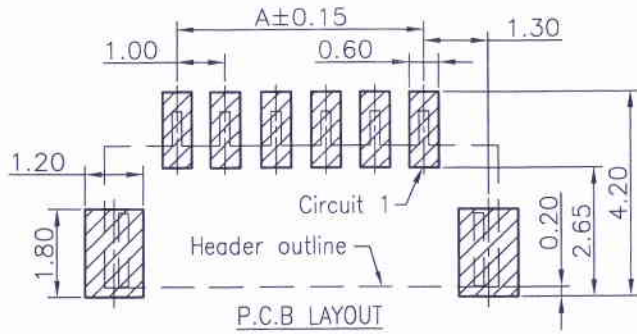


1 2 3 4 5 6 7 8

A

A



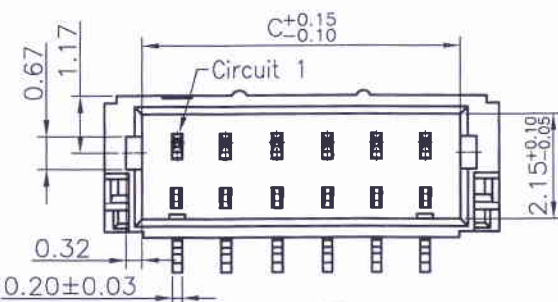
**SPECIFICATIONS**  
 Voltage Rating: 50V AC,DC  
 Current Rating: 1A AC,DC  
 Withstanding Voltage: 500V AC/minute  
 Contact Resistance: 20mΩ Max.  
 Insulation Resistance: 100MΩ Min.  
 Temperature Range: -25°C ~ +85°C  
 The product using material and processing must conform to the "WI-PZ-142"HSF technical standard control requirements

B

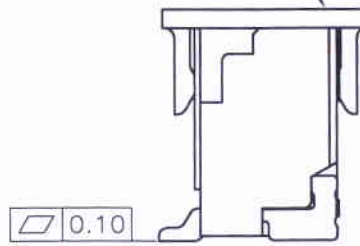
B

C

C



CAP  
(FOR PICK AND PLACE SYSTEMS)



11002W00-NP-SA-HF-R

- ① Series No.
- ② W90 : Side Contact  
W00 : Up Contact
- ③ No. of Circuits
- ④ S : SMT type
- ⑤ A : Mount type
- ⑥ HF : Halogen Free
- ⑦ R : RoHS & REEL

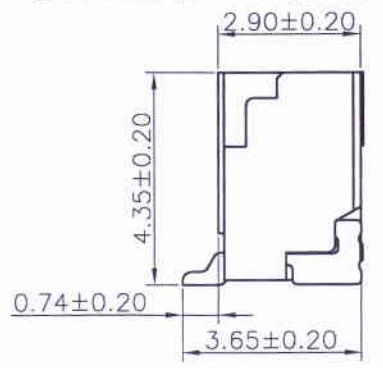
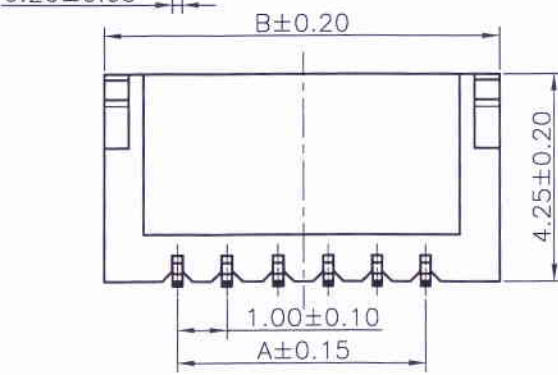
Part No	Dimensions		
	A	B	C
2P	--	4.00	2.45
3P	2.00	5.00	3.45
4P	3.00	6.00	4.45
5P	4.00	7.00	5.45
6P	5.00	8.00	6.45
7P	6.00	9.00	7.45
8P	7.00	10.00	8.45
9P	8.00	11.00	9.45
10P	9.00	12.00	10.45
11P	10.00	13.00	11.45
12P	11.00	14.00	12.45
13P	12.00	15.00	13.45

D

D

E

E



F

F

G

G

Part No.	Material	Color	Pin Material	Solder Tabs
11002W00-NP-SA-R	High temperature plastic,UL94V-0	Natural	Phosphor Bronze/Matte Tin-plated	Brass/Matte Tin-plated
11002W00-NP-SA-HF-R	High temperature plastic,UL94V-0	Natural	Phosphor Bronze/Tin-plated	Brass/Tin-plated

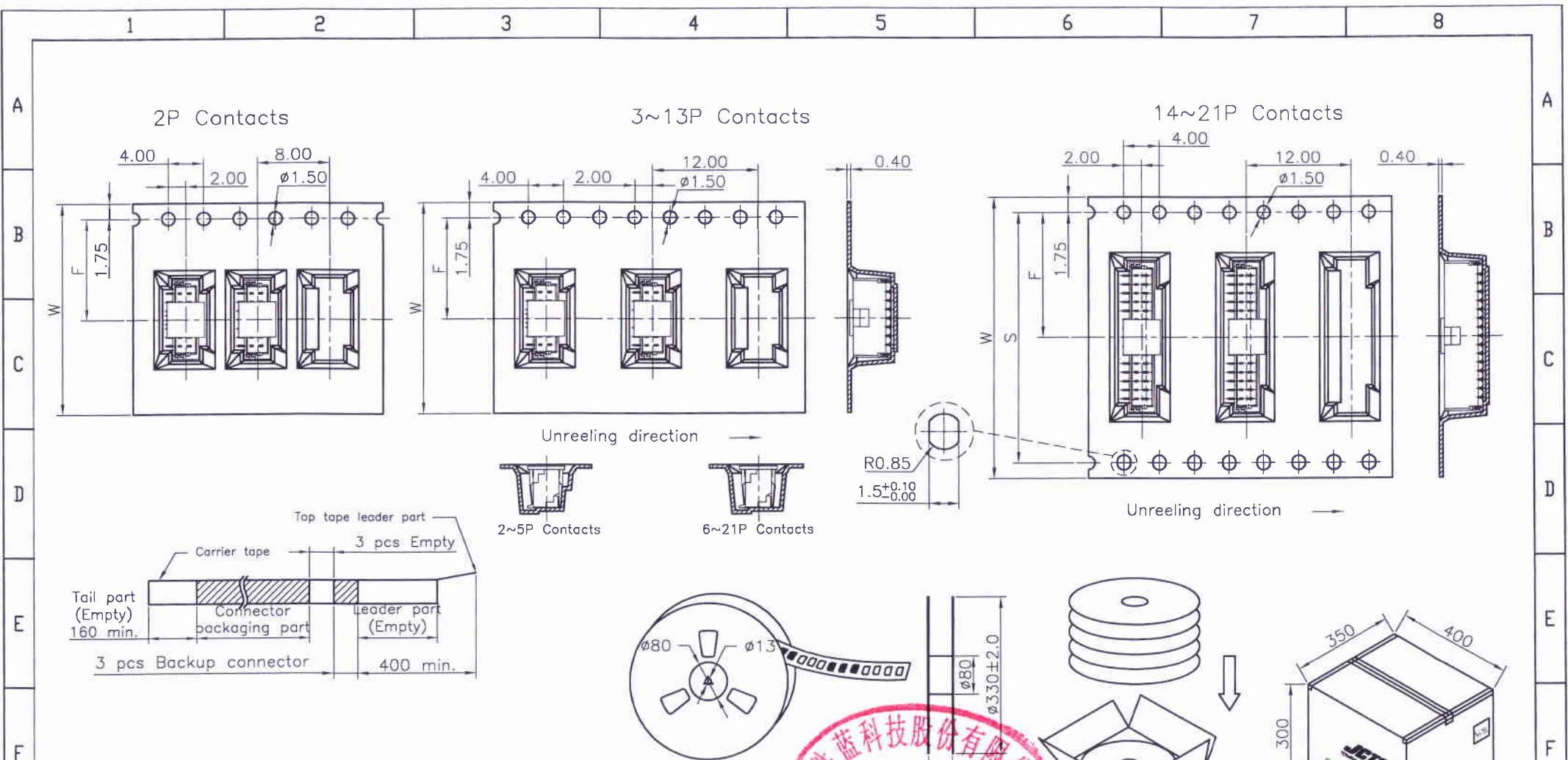
H

H

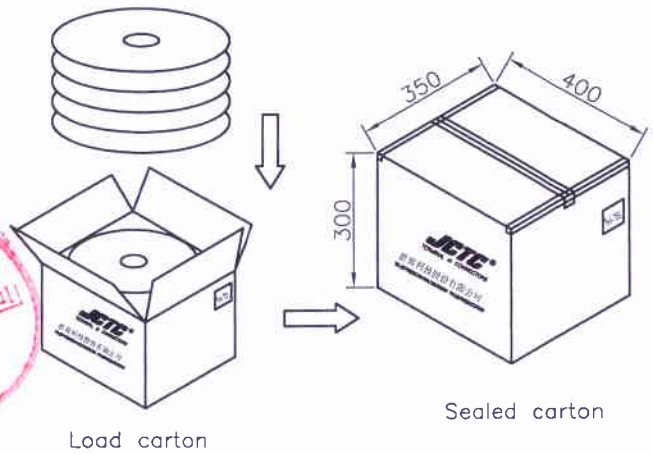
REV.	REVISION RECORD	DATE	GENERAL TOLERANCES	SCALE:	NAME	DATE	PART. NO:	DWG. NO:
C2	新增2P, 5P规格	10.11.02	LINER	1:1			11002W00-NP-SA-XX	ENDE05
C3	新增3P规格	11.05.18	0.0±0.25	APPROVED				
C4	WN1208290065	16.05.18	X° REF±6°	DESIGNER				
C5	更新图框	20.04.21	0.00±0.15	DRAWN	伍文聪	20.04.21	TITLE:	

**JCTC**®  
 TERMINAL&CONNECTORS  
 REV: C5 SHEET: 1/2

1 2 3 4 5 6 7 8



Number of Contacts	W±0.3	F±0.1	S±0.1	Pcs/Reel	Pcs/Box
2P	16	7.50	/	1,500	22,500
3~5P	16	7.50		1,000	15,000
6~13P	24	11.50		1,000	10,000
14~18P	32	14.20	28.40	1,000	8,000
19~21P	44	20.20	40.40	1,000	6,000



REV.	REVISION RECORD	DATE	GENERAL TOLERANCES		SCALE:	NAME	DATE	PART. NO:	DWG. NO:	 TERMINAL&CONNECTORS
C0	新图面发行	10.06.25	 LINEAR	ANGLES	1:1			11002W00-NP-SA-XX	ENDE05	
C1	新增2P, 5P规格	10.11.02			0.0±0.25	X° REF±6°	APPROVED	<i>[Signature]</i>		
C2	新增3P规格	11.05.18	UNIT: MM	X° ±3°	DESIGNER	<i>[Signature]</i>	20.04.21	TITLE: JST 1.00mm PITCH CONN		REV: C3    SHEET: 2/2
C3	WR2004210068	20.04.21			SIZE: A4	0.000±0.08	X° X'±2°			