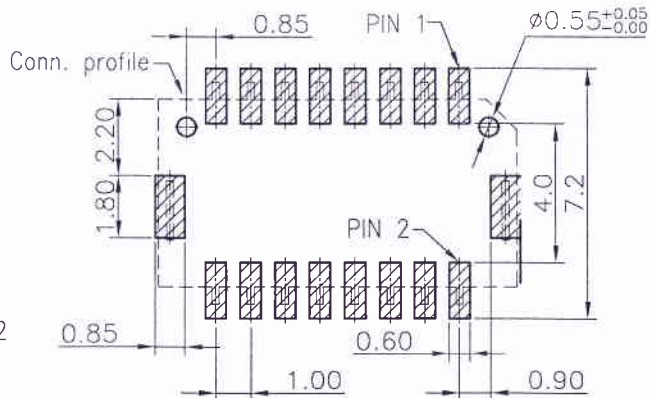
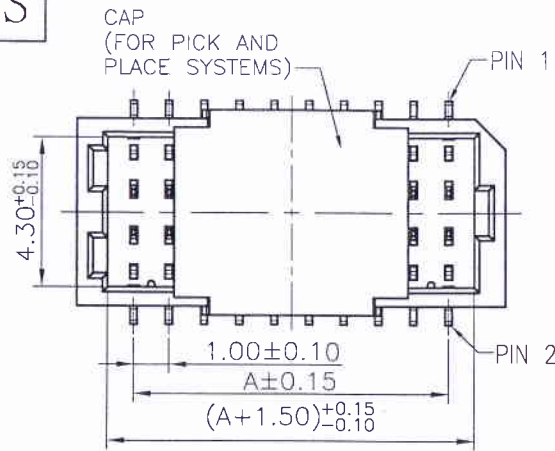
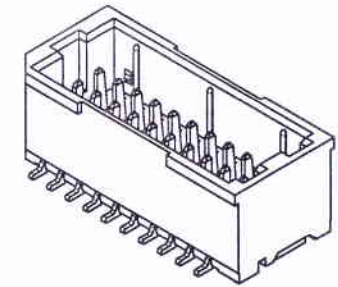


RoHS

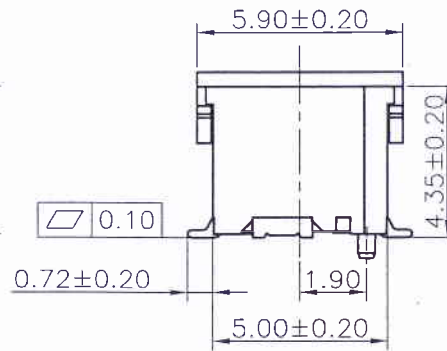
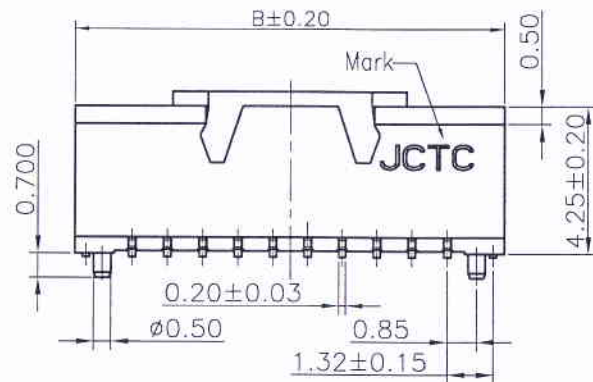


P.C.B. LAYOUT



SPECIFICATIONS

Voltage Rating: 50V AC,DC
 Current Rating: 1A AC,DC
 Withstanding Voltage: 500V AC/minute
 Contact Resistance: 20mΩ Max.
 Insulation Resistance: 100MΩ Min.
 Temperature Range: -25°C ~ +85°C



11002W00-2XNP-SF-3E-HF

- ① Series No.
- ② W90 : Side Contact
W00 : Up Contact
- ③ No. of Circuits
- ④ S: SMT type
Blank: DIP type
- ⑤ F : Boss type
- ⑥ 2M : Matte Tin-plated
Blank : Gold-Plating
- ⑦ HF : Halogen Free

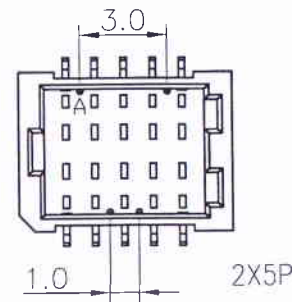
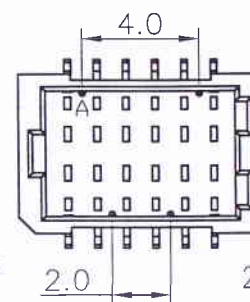
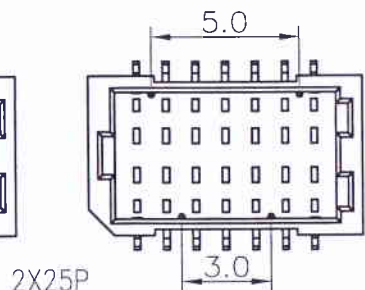
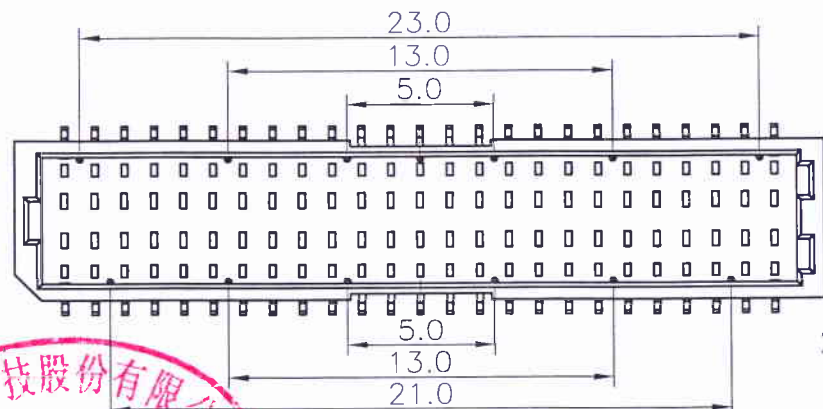
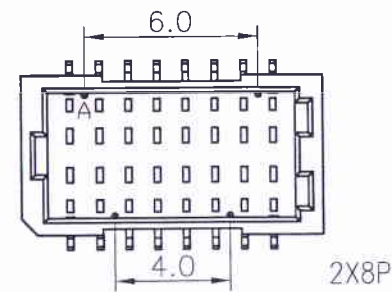
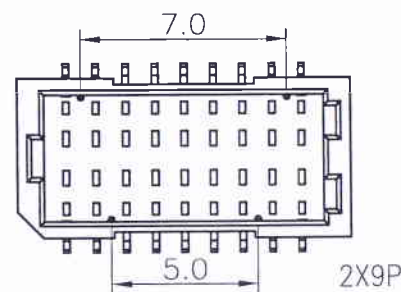
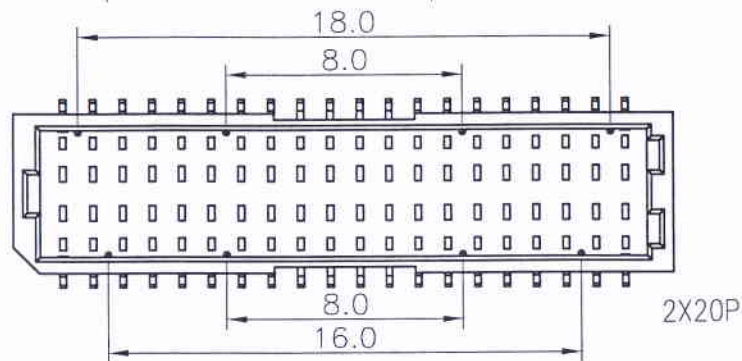
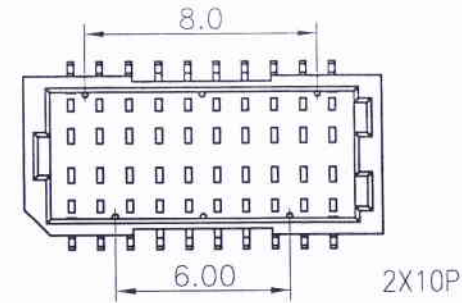
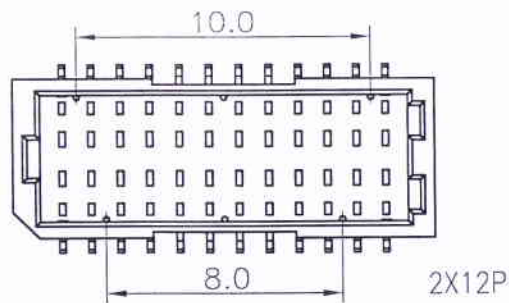
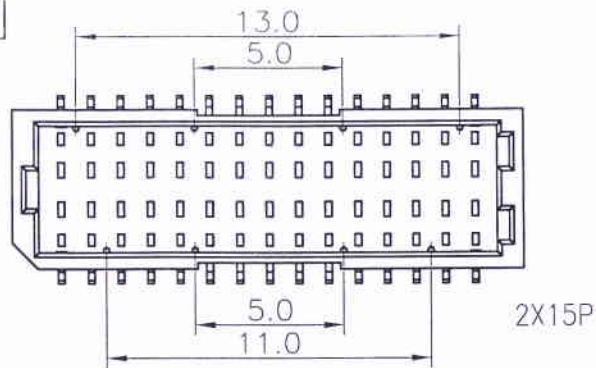
Dimensional Ordering Information:		
Circuits	Dimensions	
Part No	A	B
2X5P	4.00	7.30
2X6P	5.00	8.30
2X7P	6.00	9.30
2X8P	7.00	10.30
2X9P	8.00	11.30
2X10P	9.00	12.30
2X12P	11.00	14.30
2X15P	14.00	17.30
2X20P	19.00	22.30
2X25P	24.00	27.30



Part No.	Material	Color	Pin Material	Solder Tabs
11002W00-2XNP-SF	High temperature plastic,UL94V-0	Beige	Phosphor Bronze/Gold-flash	Brass/Gold-flash
11002W00-2XNP-SF-2M	High temperature plastic,UL94V-0	Beige	Phosphor Bronze/Matte Tin-plated	Brass/Matte Tin-plated
11002W00-2XNP-SF-HF	High temperature plastic,UL94V-0	Beige	Phosphor Bronze/Gold-flash	Brass/Gold-flash
11002W00-2XNP-SF-HF-NK	High temperature plastic,UL94V-0	Beige	Phosphor Bronze/Gold-flash	Brass/Gold-flash
11002W00-2XNPG-SF-HF	High temperature plastic,UL94V-0	Blue	Phosphor Bronze/Gold-flash	Brass/Gold-flash
11002W00-2XNPG-SF-HF-NK	High temperature plastic,UL94V-0	Blue	Phosphor Bronze/Gold-flash	Brass/Gold-flash
11002W00-2XNP-SF-2M-HF	High temperature plastic,UL94V-0	Beige	Phosphor Bronze/Matte Tin-plated	Brass/Matte Tin-plated
11002W00-2XNP-SF-2M-HF-NK	High temperature plastic,UL94V-0	Beige	Phosphor Bronze/Matte Tin-plated	Brass/Matte Tin-plated

REV.	REVISION RECORD	DATE	GENERAL TOLERANCES	SCALE:	NAME	DATE	JCTC ® 胜蓝科技股份有限公司 TERMINAL&CONNECTORS 东莞市富智达电子科技有限公司	PART. NO:
C1	HN1103020033	11.03.02	LINEAR	1:1				11002W00-2XNP-SF-XX
C2	WN1211300103	12.11.30	0.0±0.25	APPROVED				DWG. NO:
C3	WN1307040103	13.07.04	UNIT: MM	DESIGNER				ENDE05
C4	WN1609060138	16.09.06	SIZE: M4	DRAWN	卢小锋	16.09.06	TITLE:	REV: C4
			0.000±0.08				JST 1.00mm PITCH 双排带防呆柱 CONN	SHEET: 1/3

RoHS

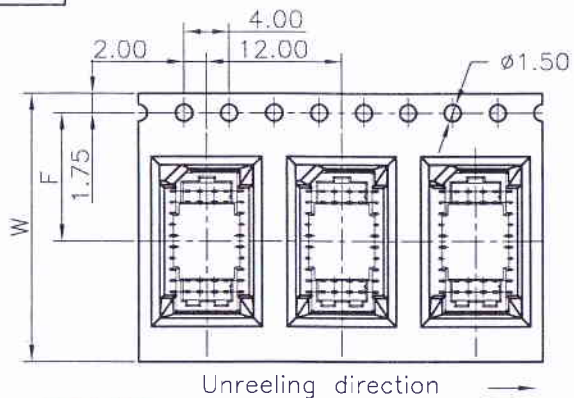


REV	2016.09.08	REVISION RECORD	DATE		GENERAL TOLERANCES		SCALE:	NAME	DATE	JCTC ® 胜蓝科技股份有限公司 TERMINAL&CONNECTORS 东莞市富智达电子科技有限公司	PART NO:
C0		新图面发行	10.06.25		LINEAR	ANGLES	1:1	李			11002W00-2XNP-SF-XX
C1		工程部	16.09.06	0.0 ± 0.25	X° REF ± 6°	APPROVED	李	16.09.06		DWG NO:	
		技术文件发行章		UNIT: MM	X° ± 3°	DESIGNER	卢小峰	16.09.06		TITLE:	
				SIZE: M	0.600 ± 0.08	DRAWN	卢小峰	16.09.06		[ST 1.00mm PITCH 双排带防呆柱 CONN	REV: C1
											SHEET: 2/3

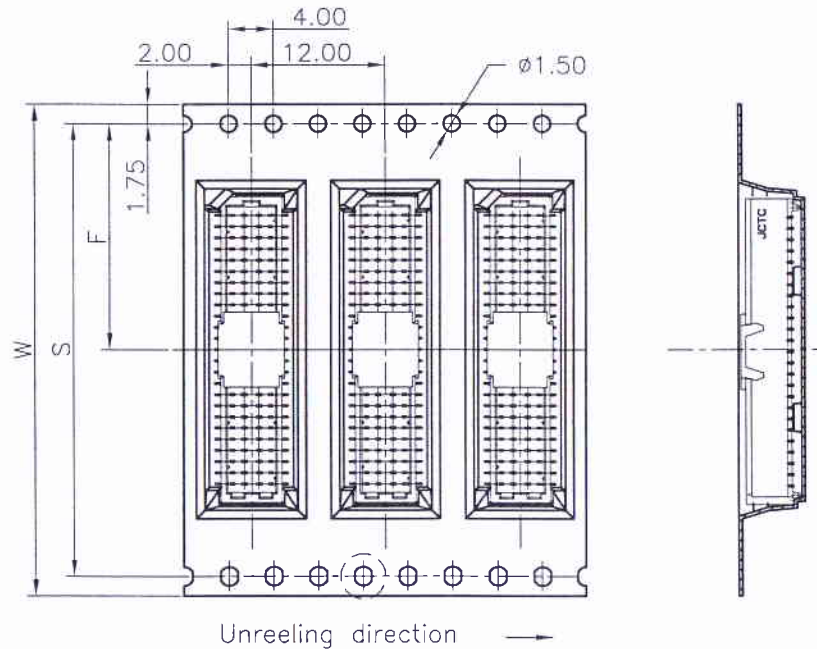


RoHS

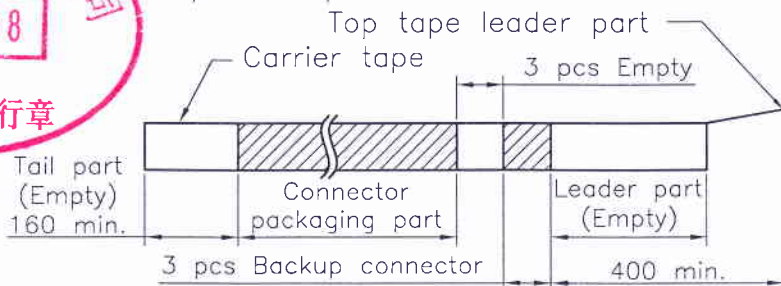
2X5~2X10 Contacts



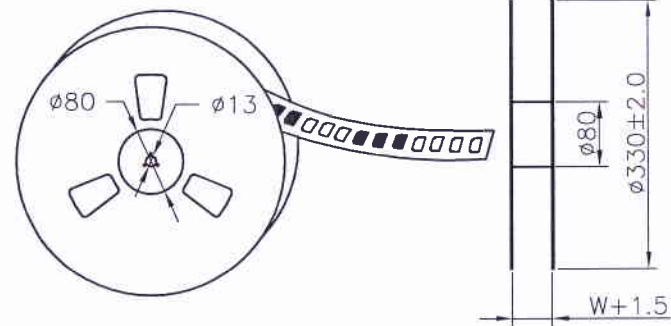
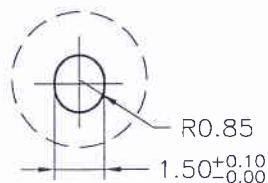
2X12~2X25 Contacts



胜蓝科技股份有限公司
2016.09.08
工程部
技术文件发行章



Number of Contacts	W±0.3	F±0.1	S±0.1	Q'ty/Reel
2X5P	24	11.50	/	1,000
2X6P	24	11.50		1,000
2X7P	24	11.50		1,000
2X8P	24	11.50		1,000
2X9P	24	11.50		1,000
2X10P	24	11.50		1,000
2X12P	32	14.20	28.40	1,000
2X15P	32	14.20	28.40	1,000
2X20P	44	20.20	40.40	1,000
2X25P	44	20.20	40.40	1,000



REV.	REVISION RECORD	DATE	GENERAL TOLERANCES	SCALE:	NAME	DATE	PART. NO.:
C0	新图面发行	10.06.25	L: LINEAR	1:1			11002W00-2XNP-SF-XX
C1	修正图面包装数量	12.09.11	A: ANGLES	APPROVED			DWG. NO.:
C2	修正图面包装规范	13.07.10	0.0 ± 0.25	DESIGNER			ENDE05
C3	WN16090R0138	16.09.06	0.00 ± 0.15	BRAWN			REV: C3 SHEET: 3/3

JCTC 胜蓝科技股份有限公司
TERMINAL&CONNECTORS 东莞市富智达电子科技有限公司
TITLE: JST 1.00mm PITCH 双排带肋呆柱 CONN