

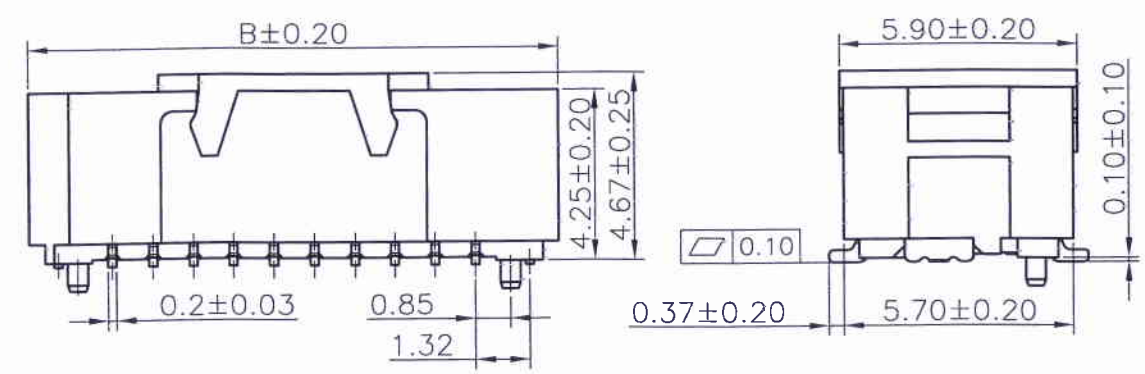
P.C.B. LAYOUT
GENERAL TOLERANCES: ±0.05

SPECIFICATIONS
Voltage Rating: 50V AC,DC
Current Rating: 1A AC,DC
Withstanding Voltage: 500V AC/minute
Contact Resistance: 20mΩ Max.
Insulation Resistance: 100MΩ Min.
Temperature Range: -25°C ~ +85°C
The product using material and processing must conform to the "WI-PZ-142" HSF technical standard control requirements

11002W00-2XNP-SF-L-5A-HF-NK-R
① ② ③ ④ ⑤ ⑥ ⑦ ⑧ ⑨

- ① Series No.
- ② W90 : Side Contact
W00 : Up Contact
- ③ No. of Circuits
- ④ SF: SF type
- ⑤ L: Lock type
- ⑥ 5A : Gold flash
- ⑥ HF : Halogen Free
- ⑥ NK : No Mark
- ⑥ R : Tape & Reel (With Cap)

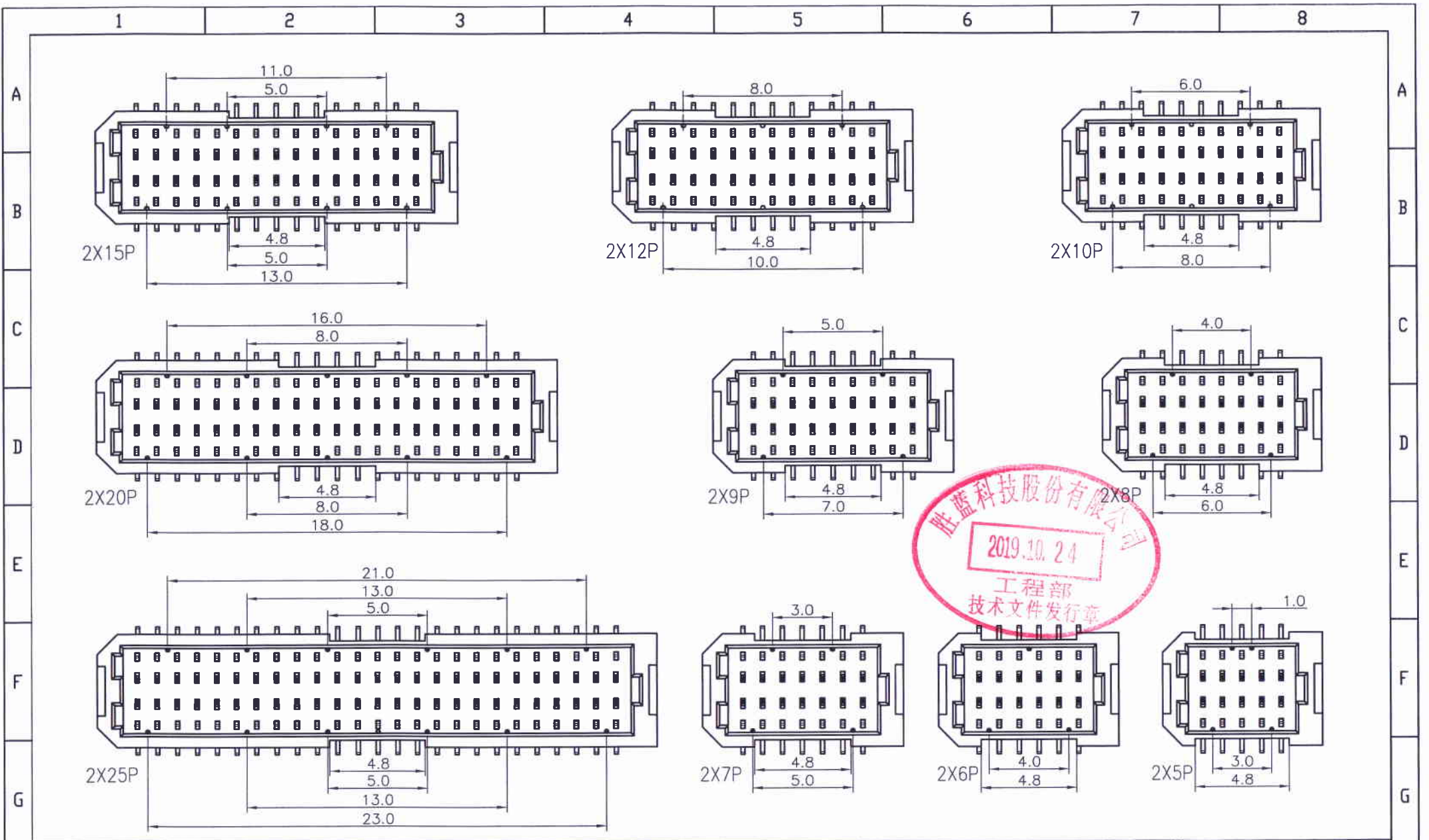
Circuits Part No	Dimensions	
	A	B
2X5P	4.00	8.10
2X6P	5.00	9.10
2X8P	7.00	11.10
2X9P	8.00	12.10
2X10P	9.00	13.10
2X12P	11.00	15.10
2X15P	14.00	18.10
2X20P	19.00	23.10
2X25P	24.00	28.10



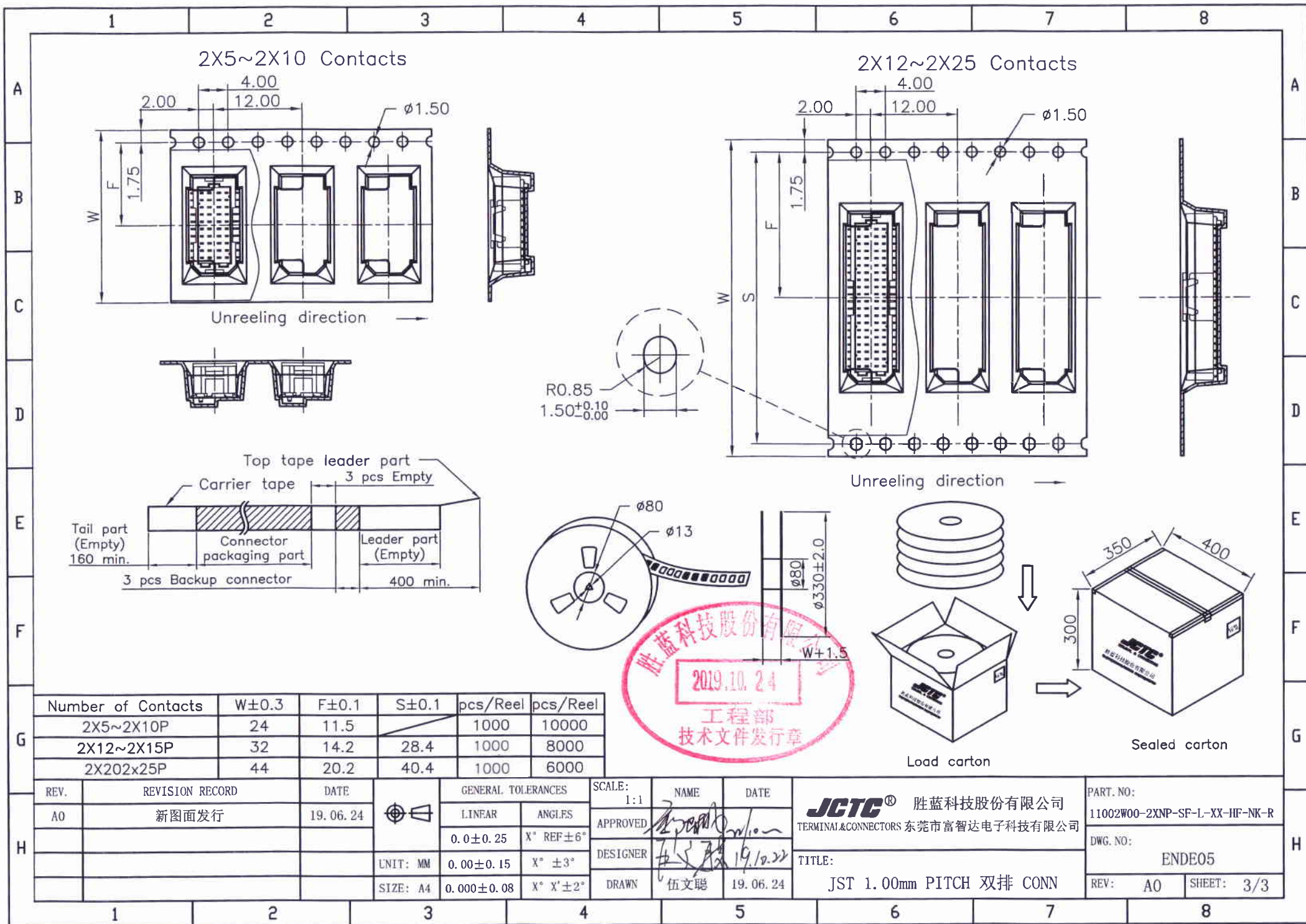
Suitable for JCTC 11002 series terminal

Part No.	Material	Color	Pin Material	Solder Tabs
11002W00-2XNP-SF-L-5A-HF-NK-R	High temperature plastic, UL94V-0	Beige	Phosphor Bronze/Gold-flash	Brass/Gold-flash

REV.	REVISION RECORD	DATE	GENERAL TOLERANCES	SCALE:	NAME	DATE	JCTC® 胜蓝科技股份有限公司 TERMINAL&CONNECTORS 东莞市富智达电子科技有限公司	PART. NO:
A0	新图面发行	19.06.24	LINEAR 0.0±0.25	1:1	APPROVED			TITLE: JST 1.00mm PITCH 双排 CONN 带扣/有防呆柱/加强型
			ANGLES X° REF±6°	DESIGNER	19.10.22		DWG. NO:	
			UNIT: MM 0.00±0.15	X° ±3°	DRAWN	伍文聪		ENDE05
			SIZE: A4 0.000±0.08	X° X'±2°				REV: A0 SHEET: 1/3



REV.	REVISION RECORD	DATE		GENERAL TOLERANCES		SCALE:	NAME	DATE	JCTC ® 胜蓝科技股份有限公司 TERMINAL&CONNECTORS 东莞市富智达电子科技有限公司	PART. NO:
A0	新版图面	19.06.24		LINEAR	ANGLES	1:1	APPROVED			11002W00-2XNP-SF-L-XX-HF-NK-R
			UNIT: MM	0.00±0.15	X° ±3°	DESIGNER	19.10.22	TITLE: JST 1.00mm PITCH 双排 CONN	DWG. NO:	
			SIZE: A4	0.000±0.08	X° X'±2°	DRAWN	伍文聪	带扣/有防呆柱/加强型	ENDE05	
									REV: A0	
									SHEET: 2/3	



Number of Contacts	W±0.3	F±0.1	S±0.1	pcs/Reel	pcs/Reel
2X5~2X10P	24	11.5		1000	10000
2X12~2X15P	32	14.2	28.4	1000	8000
2X20~2X25P	44	20.2	40.4	1000	6000

REV.	REVISION RECORD	DATE	GENERAL TOLERANCES	SCALE:	NAME	DATE	PART. NO:
A0	新图面发行	19.06.24	LINEAR	1:1	伍文聪	19.06.24	11002W00-2XNP-SF-L-XX-HF-NK-R
			0.0±0.25	APPROVED			DWG. NO:
			X° REF±6°	DESIGNER			ENDE05
			UNIT: MM	0.00±0.15	X° ±3°	TITLE:	REV: A0
			SIZE: A4	0.000±0.08	X° X'±2°	JST 1.00mm PITCH 双排 CONN	SHEET: 3/3

胜蓝科技股份有限公司
 2019.10.24
 工程部部长
 技术文件发行章

