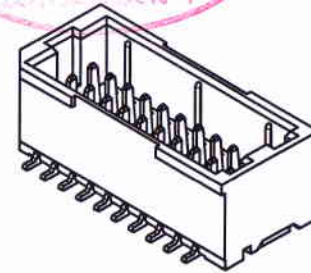
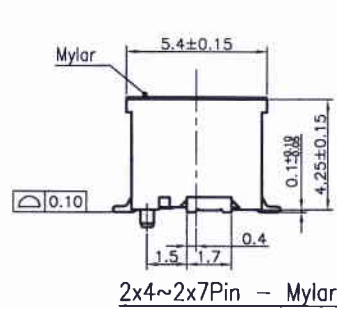
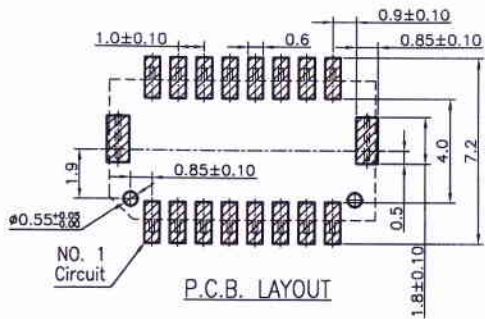
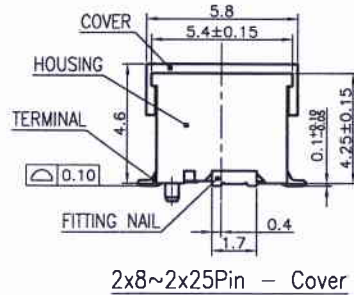
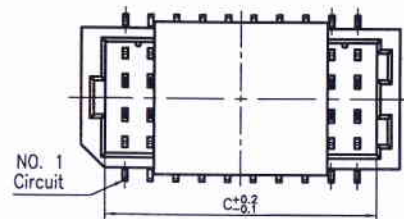


RoHS



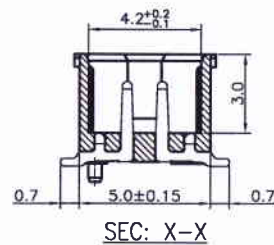
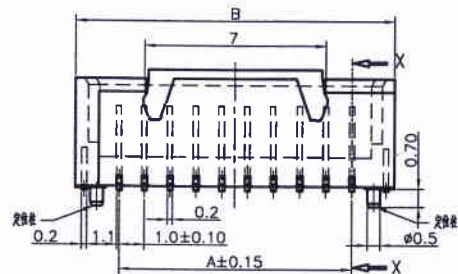
**SPECIFICATIONS**  
 Voltage Rating: 50V AC,DC  
 Current Rating: 1A AC,DC  
 Withstanding Voltage: 500V AC/minute  
 Contact Resistance: 20mΩ Max.  
 Insulation Resistance: 100MΩ Min.  
 Temperature Range: -25°C ~ +85°C



Dimensional Ordering Information:			
Circuits Part No	Dimensions		
	A	B	C
2X5P	4.0	7.3	5.4
2X6P	5.0	8.3	6.4
2X7P	6.0	9.3	7.4
2X8P	7.0	10.3	8.4
2X9P	8.0	11.3	9.4
2X10P	9.0	12.3	10.4
2X12P	11.0	14.3	12.4
2X15P	14.0	17.3	15.4
2X20P	19.0	22.3	20.4
2X25P	24.0	27.3	25.4

11002W00-2XNPA-SF-XX-HF  
 ① ② ③ ④ ⑤ ⑥ ⑦ ⑧

- ① Series No.
- ② W90 : Side Contact  
W00 : Up Contact
- ③ No. of Circuits
- ④ Color: A=Black  
Blank : Beige
- ⑤ S: SMT type
- ⑥ F : With Boss
- ⑦ 2M : Matte Tin-plated  
5G : Gold-plated 15u"
- ⑧ HF : Halogen Free



Without Date Code

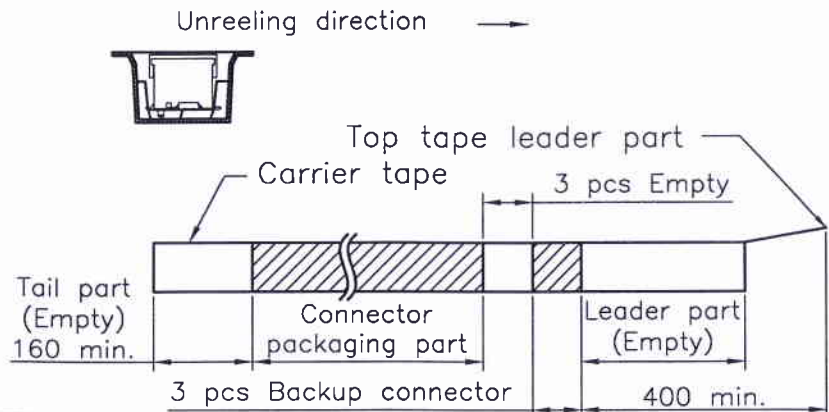
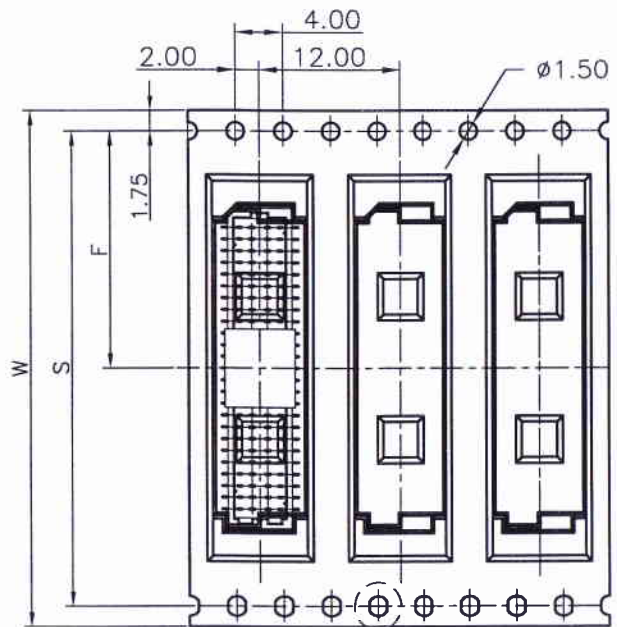
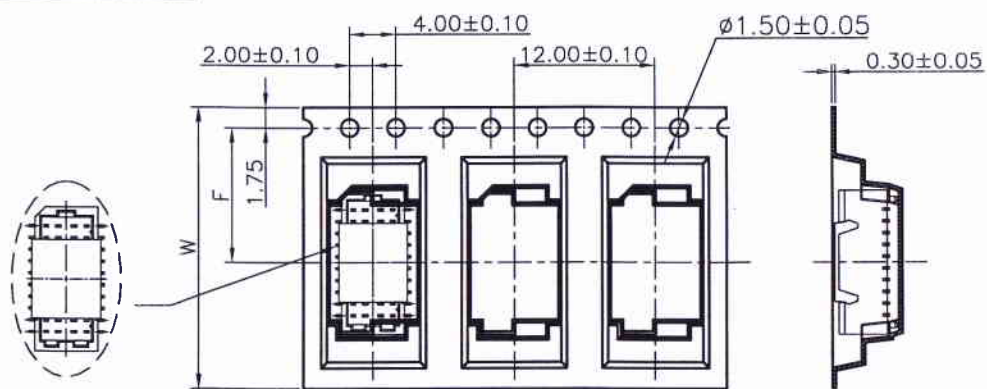
Part No.	Material	Color	Pin Material	Solder Tabs
11002W00-2XNPA-SF-HF	LCP,UL94V-0	Black	Phosphor Bronze/Gold-flash	Brass/Gold-flash
11002W00-2XNPA-SF-2M-HF	LCP,UL94V-0	Black	Phosphor Bronze/Matte Tin-plated	Brass/Matte Tin-plated
11002W00-2XNPA-SF-5G-HF	LCP,UL94V-0	Black	Phosphor Bronze/Au 15u" Min on contact area,Gold-flash on solder area	Brass/Gold-flash

REV.	REVISION RECORD	DATE	GENERAL TOLERANCES	SCALE:	NAME	DATE	JCTC® 胜蓝科技股份有限公司 TERMINAL&CONNECTORS 东莞市富智达电子科技有限公司	PART. NO:
C0	新图面发行	11. 08. 31	LINEAR	1:1				
C1	WN1204200026	12. 04. 20	0.0±0.25	APPROVED				DWG. NO:
C2	新增镀全金15u"规格	16. 11. 28	0.00±0.15	DESIGNER				ENDE05
			0.00±0.08	DRAWN	卢小锋	16. 11. 28	TITLE:	REV: C2 SHEET: 1/2
			X° REF±6°				JST 1.00mm PITCH 双排带防呆柱 CONN.	
			X° ±3°					
			X° X'±2°					

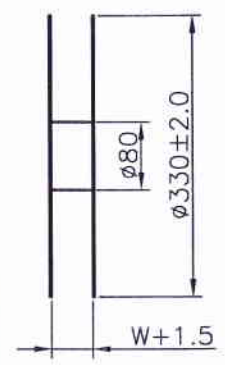
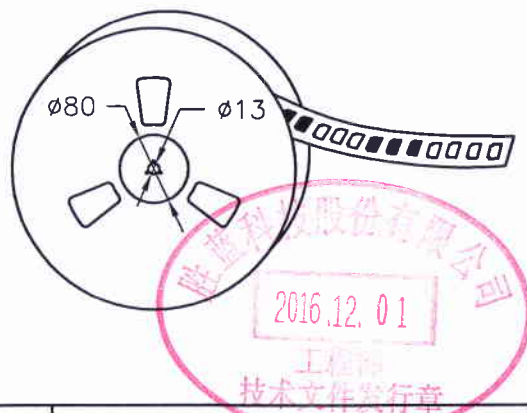
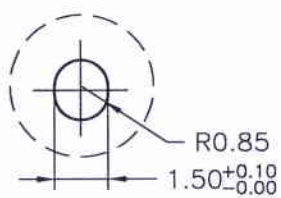
RoHS

2X5~2X10 Contacts

2X12~2X25 Contacts



Number of Contacts	W±0.3	F±0.1	S±0.1	Q'ty/Reel
2X5P	24	11.50		1,000
2X6P	24	11.50		1,000
2X7P	24	11.50		1,000
2X8P	24	11.50		1,000
2X9P	24	11.50		1,000
2X10P	24	11.50		1,000
2X12P	32	14.20	28.40	1,000
2X15P	32	14.20	28.40	1,000
2X20P	44	20.20	40.40	1,000
2X25P	44	20.20	40.40	1,000



REV.	REVISION RECORD	DATE	GENERAL TOLERANCES	SCALE: 1:1	NAME	DATE	PART NO: 11002W00-2XNPA-SF-XX-HF
C0	新图面发行	11.08.31	LINEAR	APPROVED	[Signature]	20/11/20	
C1	新增规格	16.11.28	0.0±0.25	DESIGNER	卢小锋	16.11.28	REV: C1 SHEET: 2/2
			ANGLES	TITLE:		JST 1.00mm PITCH 双排带防呆柱 CONN.	
			0.00±0.15	DRAWN		JSTC® 胜蓝科技股份有限公司 TERMINAL&CONNECTORS 东莞市富智达电子科技有限公司	
			X° REF±6°				
			X° ±3°				
			X° X'±2°				