

SPECIFICATIONS
 Voltage Rating: 50V AC,DC
 Current Rating: 1A AC,DC
 Withstanding Voltage: 500V AC/minute
 Contact Resistance: 20mΩ Max.
 Insulation Resistance: 100MΩ Min.
 Temperature Range: -25°C ~ +85°C
 The product using material and processing must conform to the "WI-PZ-142" HSF technical standard control requirements



11002W00-2XNP-2S-2M-HF-R
 ① ② ③ ④ ⑤ ⑥ ⑦

- ① Series No.
- ② W90 : Side Contact
W00 : Up Contact
- ③ No. of Circuits
- ④ 2S: SMT type
Blank: DIP type
- ⑤ 2M : Matte Tin-plated
Blank : Gold-Plating
- ⑥ HF : Halogen Free
- ⑦ R : Tape & Reel(With Cap)

Circuits Part No	Dimensions	
	A	B
2X5P	4.00	7.30
2X6P	5.00	8.30
2X8P	7.00	10.30
2X9P	8.00	11.30
2X10P	9.00	12.30
2X12P	11.00	14.30
2X15P	14.00	17.30
2X20P	19.00	22.30
2X25P	24.00	27.30

Suitable for JCTC 11002 series terminal

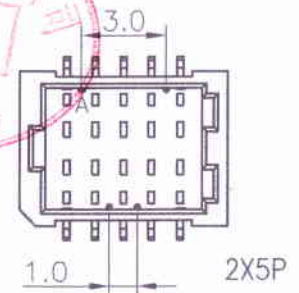
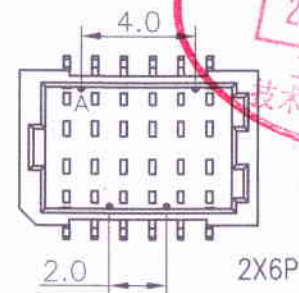
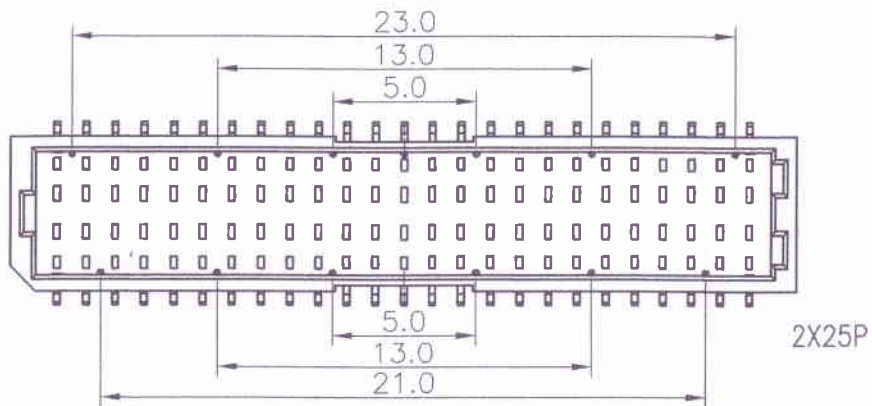
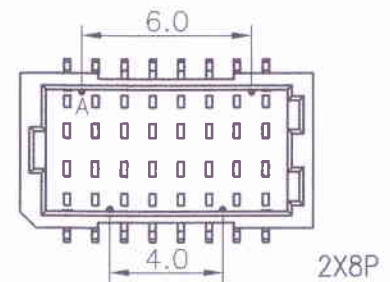
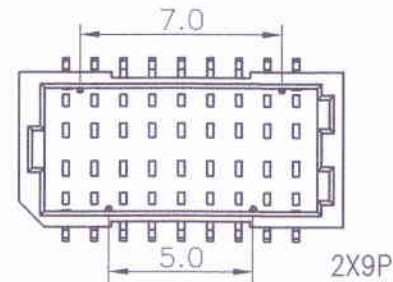
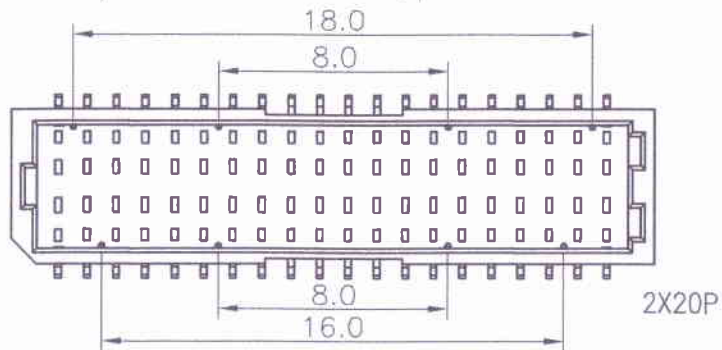
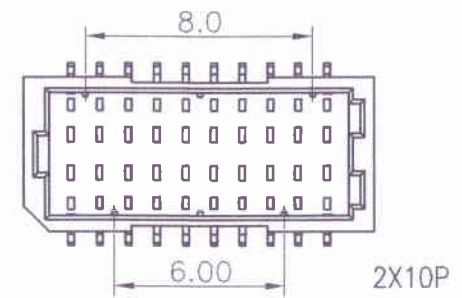
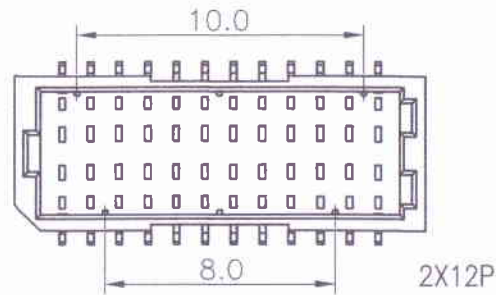
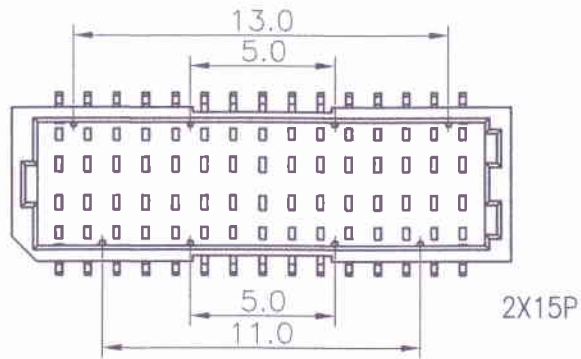
Part No.	Material	Color	Pin Material	Solder Tabs
11002W00-2XNP-2S-R	High temperature plastic,UL94V-0	Beige	Phosphor Bronze/Gold-flash	Brass/Gold-flash
11002W00-2XNP-2S-2M-R	High temperature plastic,UL94V-0	Beige	Phosphor Bronze/Matte Tin-plated	Brass/Matte Tin-plated
△2 11002W00-2XNP-2S-2M-HF-R	High temperature plastic,UL94V-0	Beige	Phosphor Bronze/Matte Tin-plated	Brass/Matte Tin-plated
△2 11002W00-2XNP-2S-5A-HF-R	High temperature plastic,UL94V-0	Beige	Phosphor Bronze/Gold-flash	Brass/Gold-flash
△4 11002W00-2XNPA-2S-5A-HF-R	High temperature plastic,UL94V-0	Black	Phosphor Bronze/Gold-flash	Brass/Gold-flash
△3 11002W00-2XNPA-2S-2M-HF-R	High temperature plastic,UL94V-0	Black	Phosphor Bronze/Matte Tin-plated	Brass/Matte Tin-plated

REV.	REVISION RECORD	DATE
C1	HN1103020033	11.03.02
C2	WN1412170211	14.12.17
C3	WN1910090241	19.09.29
C4	WN2001060001	20.01.06

GENERAL TOLERANCES		SCALE:	NAME	DATE
LINER	ANGLES	1:1		
0.0±0.25	X° REF±6°	APPROVED	[Signature]	20.01.06
0.00±0.15	X° ±3°	DESIGNER	[Signature]	
0.000±0.08	X° X'±2°	DRAWN	张振坤	20.01.06

JCTC® 胜蓝科技股份有限公司
 TERMINAL&CONNECTORS 东莞市富智达电子科技有限公司
 TITLE: JST 1.00mm PITCH 双排 CONN

PART. NO:	11002W00-2XNP-2S-XX	
DWG. NO:	ENDE05	
REV:	C4	SHEET: 1/3



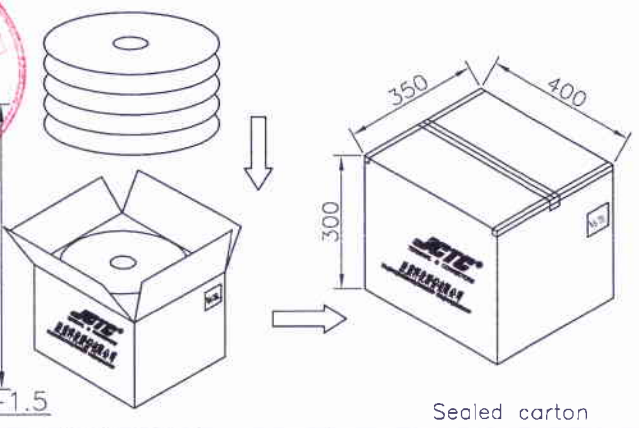
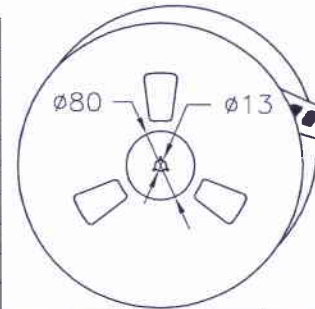
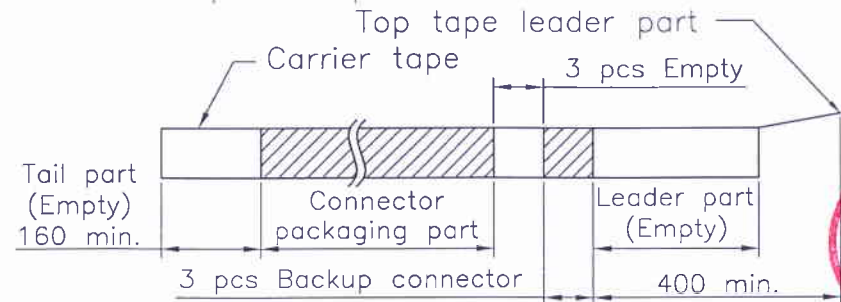
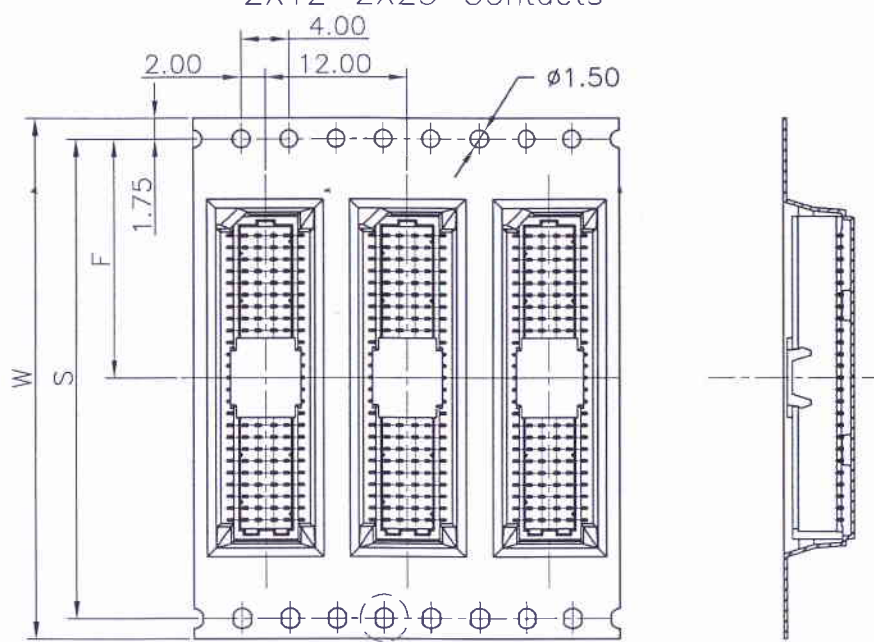
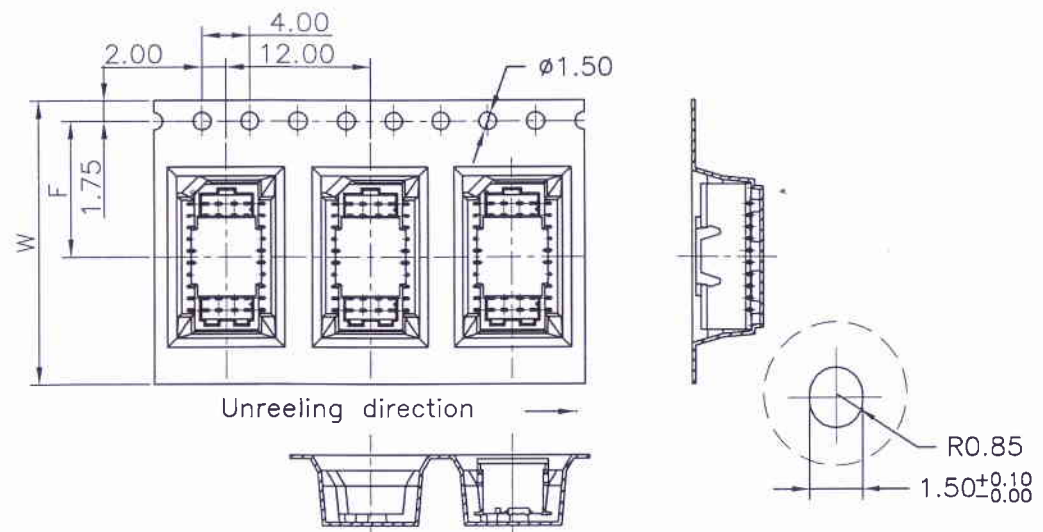
REV.	REVISION RECORD	DATE	GENERAL TOLERANCES		SCALE:	NAME	DATE	PART. NO:
C0	新图面发行	10.06.25	LINEAR	ANGLESp3	1:1			
C1	整理图面	14.12.17	0.0±0.25	X° REF±6°	APPROVED	张振坤	19.09.29	DWG. NO:
C2	WN1910090241	19.09.29	0.00±0.15	X° ±3°	DESIGNER	张振坤	19.09.29	
			UNIT: MM	0.00±0.08	DRAWN	张振坤	19.09.29	REV: C2
			SIZE: A4	X° X'±2°				SHEET: 2/3

JSTC® 胜蓝科技股份有限公司
TERMINAL&CONNECTORS 东莞市富智达电子科技有限公司

TITLE: JST 1.00mm PITCH 双排 CONN

2X5~2X10 Contacts

2X12~2X25 Contacts



Number of Contacts	W±0.3	F±0.1	S±0.1	Q'ty/Reel	Q'ty/Box
2X5P	24	11.50	/	1,000	10,000
2X6P	24	11.50		1,000	10,000
2X8P	24	11.50		1,000	10,000
2X9P	24	11.50		1,000	10,000
2X10P	24	11.50		1,000	10,000
2X12P	32	14.20	28.40	1,000	8,000
2X15P	32	14.20	28.40	1,000	8,000
2X20P	44	20.20	40.40	1,000	6,000
2X25P	44	20.20	40.40	1,000	6,000

REV.	REVISION RECORD	DATE	GENERAL TOLERANCES	SCALE:	NAME	DATE	Load carton	PART. NO:
C1	修正图面包装规范	12.09.11	LINEAR: 0.0±0.25 ANGLES: X° REF±6°	1:1	[Signature]	19.09.29	JSTC® 胜蓝科技股份有限公司 TERMINAL&CONNECTORS 东莞市富智达电子科技有限公司	11002W00-2XNP-2S-XX
C2	修正图面包装数量	13.07.10		DESIGNER: [Signature]				TITLE: JST 1.00mm PITCH 双排 CONN
C3	整理图面	14.12.17	UNIT: MM					REV: C4
C4	WN1910090241	19.09.29	SIZE: A4		张振坤	19.09.29		SHEET: 3/3