

1

2

3

4

5

6

7

8

A

B

C

D

E

F

G

H

A

B

C

D

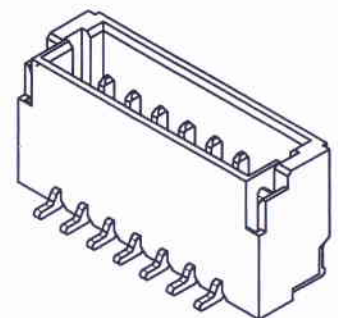
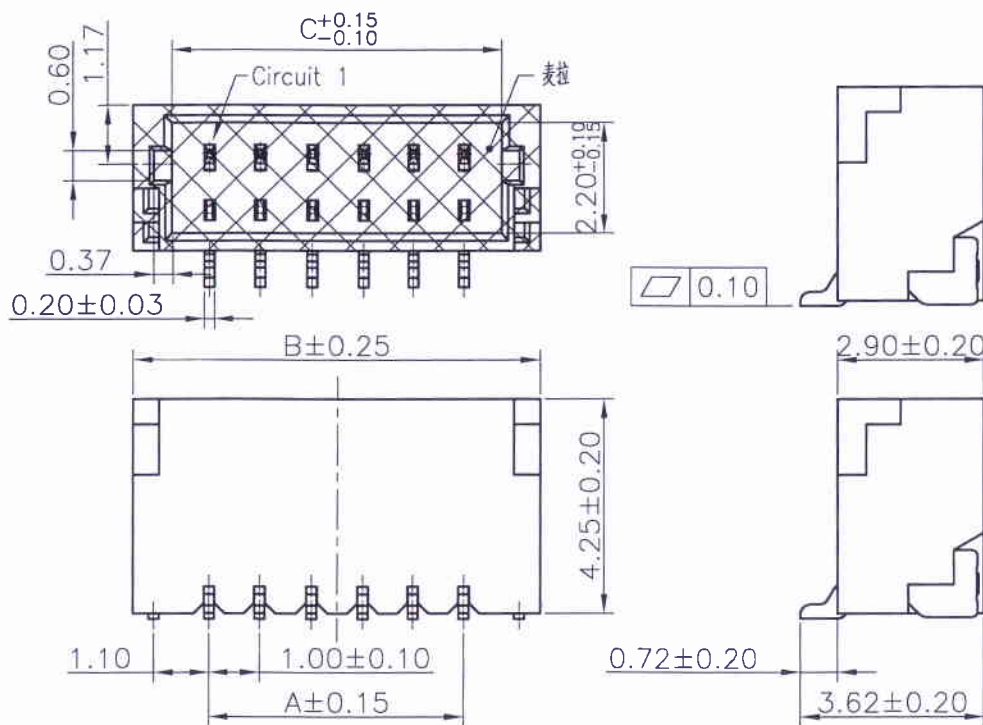
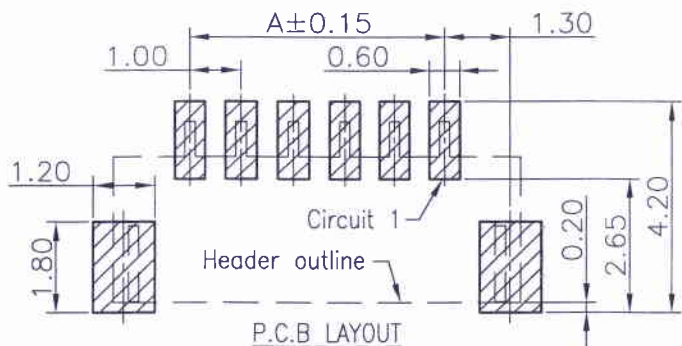
E

F

G

H

Specifications:
 Rated Voltage : 50V AC/DC
 Rated Current : 1A AC,DC
 Withstand Voltage : 500V AC/minute
 Contact Resistance : 20mΩ(MAX.)
 Insulation Resistance : 100MΩ(MIN.)
 Temperature Range :-25°C~+85°C
 Contact: Phosphor Bronze/Tin-plated
 Solder Tabs: Brass/Tin-plated
 Material: Thermal Plasticity Resin, UL94V-0
 Color: Natural(Beige)
 The product using material and processing must conform to the "WI-PZ-142"HSF technical standard control requirements



Circuits Part No	Dimensions		
	A	B	C
2P	--	4.00	2.50
3P	2.00	5.00	3.50
4P	3.00	6.00	4.50
5P	4.00	7.00	5.50
6P	5.00	8.00	6.50
7P	6.00	9.00	7.50
8P	7.00	10.00	8.50
9P	8.00	11.00	9.50
10P	9.00	12.00	10.50
11P	10.00	13.00	11.50
12P	11.00	14.00	12.50
13P	12.00	15.00	13.50
14P	13.00	16.00	14.50
15P	14.00	17.00	15.50
16P	15.00	18.00	16.50
17P	16.00	19.00	17.50
18P	17.00	20.00	18.50
19P	18.00	21.00	19.50
20P	19.00	22.00	20.50
21P	20.00	23.00	21.50

11002W00-NP-S-A-HF-R

- ① Series No.
- ② W90 : Side Contact
W00 : Up Contact
- ③ No. of Circuits
- ④ S : SMT type
- ⑤ A : A type
- ⑥ HF : Halogen Free
- ⑦ R : Tape & Reel



REV.	REVISION RECORD	DATE	GENERAL TOLERANCES	SCALE:	NAME	DATE	PART. NO:	DWG. NO:
C0	新版发行	13. 04. 09	LINEAR	1:1			11002W00-NP-S-A-HF	ENDE05
C1	WI11309250159	13. 09. 25	0.0±0.25	APPROVED				
C2	更新图框	20. 04. 21	0.00±0.15	DESIGNER			TITLE:	
			0.000±0.08	DRAWN	伍文聪	20.04.21	JST 1.00mm PITCH CONN	

JCTC®
 TERMINAL&CONNECTORS
 REV: C2 SHEET: 1/2

1

2

3

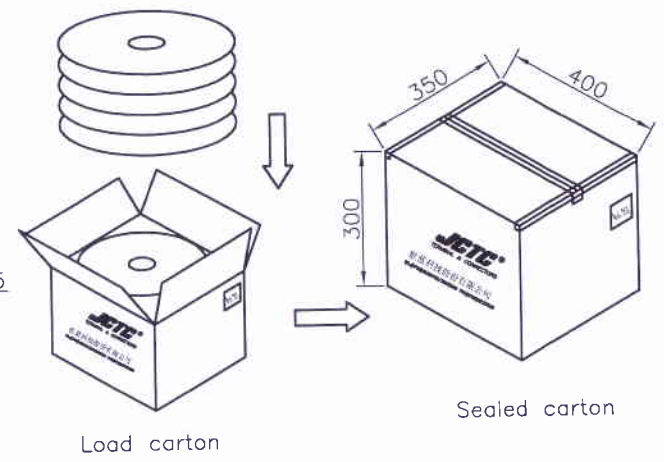
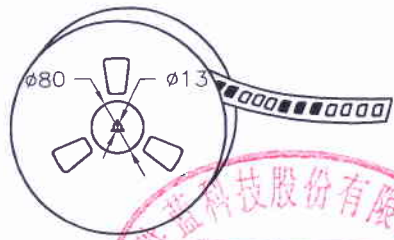
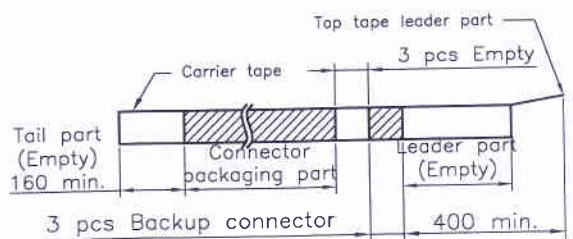
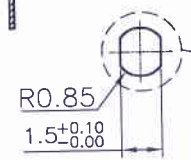
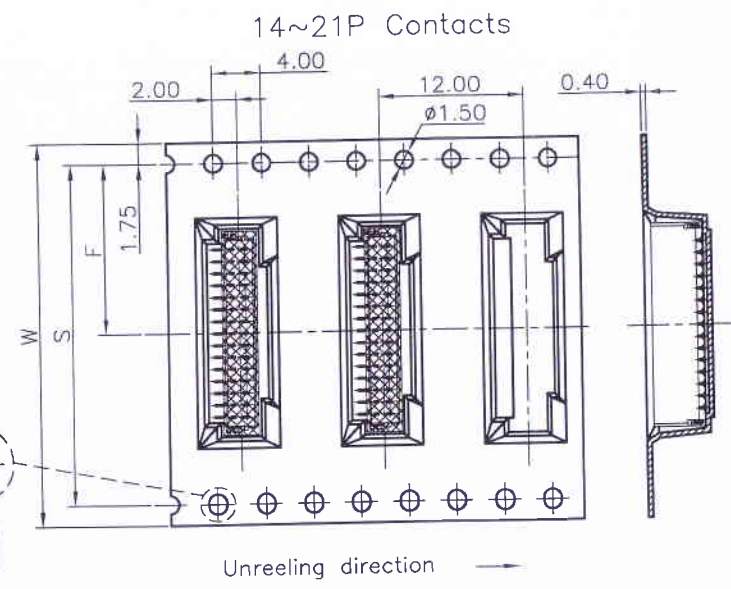
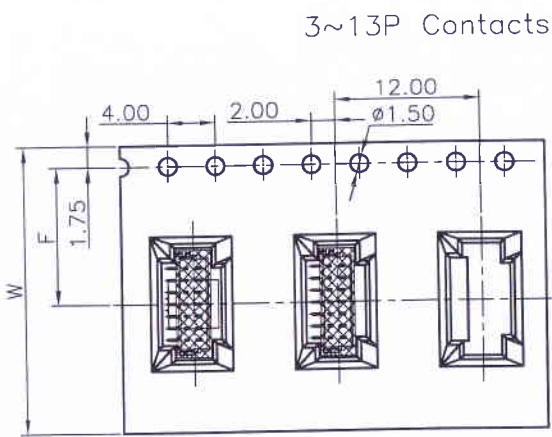
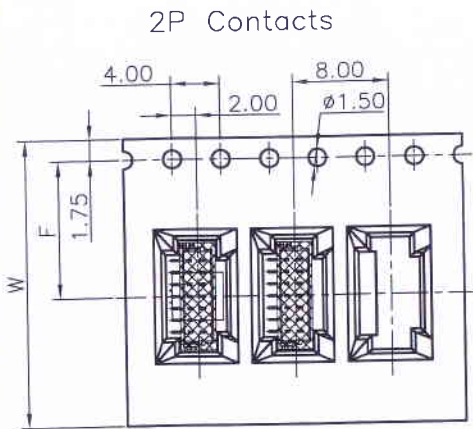
4

5

6

7

8



Number of Contacts	W±0.3	F±0.1	S±0.1	Pcs/Reel	Pcs/Box
2P	16	7.50	/	1,500	22,500
3~5P	16	7.50		1,000	15,000
6~13P	24	11.50		1,000	10,000
14~18P	32	14.20	28.40	1,000	8,000
19~21P	44	20.20	40.40	1,000	6,000

2020.04.26
工程部部长
技术文件发行章

REV.	REVISION RECORD	DATE	GENERAL TOLERANCES	SCALE:	NAME	DATE	PART. NO:	DWG. NO:	JCTC [®] TERMINAL&CONNECTORS
C0	新图面发行	13.04.09	LINEAR	1:1			11002W00-NP-S-A-HF	ENDE05	
C1	WR2004210068	20.04.21	0.0±0.25	APPROVED			TITLE: JST 1.00mm PITCH CONN		
			0.00±0.15	DESIGNER					
			0.000±0.08	DRAWN	伍文聪	20.04.21			
			UNIT: MM						REV: C1
			SIZE: A4						SHEET: 2/2