

11002W90-NP-SA-XX-HF-R
① ② ③ ④ ⑤ ⑥ ⑦ ⑧

- ① Series No.
- ② W90 : Side Contact
W00 : Up Contact
- ③ No. of Circuits
- ④ S : SMT type
- ⑤ A : Mount type
- ⑥ XX : Plated
- ⑦ HF : Halogen free
- ⑧ R : Reel pack

Dimensional Ordering Information:			
Part No	Dimensions		
	A	B	C
2P	--	4.00	2.45
3P	2.00	5.00	3.45
4P	3.00	6.00	4.45
5P	4.00	7.00	5.45
6P	5.00	8.00	6.45
7P	6.00	9.00	7.45
8P	7.00	10.00	8.45
9P	8.00	11.00	9.45
10P	9.00	12.00	10.45
11P	10.00	13.00	11.45
12P	11.00	14.00	12.45
13P	12.00	15.00	13.45

SPECIFICATIONS

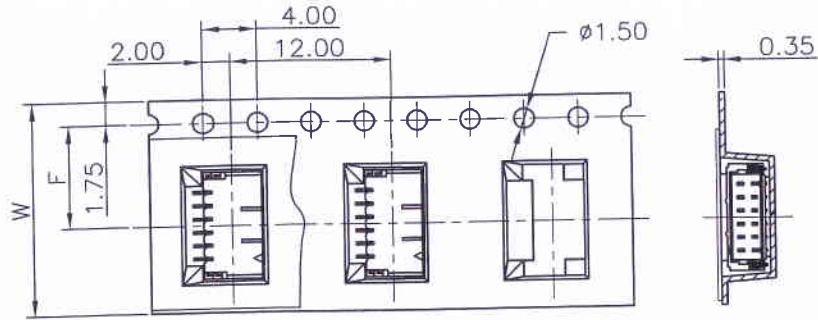
Voltage Rating: 50V AC,DC
 Current Rating: 1A AC,DC
 Withstanding Voltage: 500V AC/minute
 Contact Resistance: 20mΩ Max.
 Insulation Resistance: 100MΩ Min.
 Temperature Range: -25°C ~ +85°C
 The product using material and processing must conform to the "WI-PZ-142" HSF technical standard control requirements

Part No.	Material	Color	Pin Material	Solder Tabs
11002W90-NP-SA-R	High temperature plastic,UL94V-0	Beige	Phosphor Bronze/Tin-plated	Brass/Tin-plated
11002W90-NP-SA-HF-R	High temperature plastic,UL94V-0	Beige	Phosphor Bronze/Tin-plated	Brass/Tin-plated
11002W90-NP-SA-5A-HF-R	High temperature plastic,UL94V-0	Beige	Phosphor Bronze/Gold-flash	Brass / Gold-flash
11002W90-NP-SA-3E-HF-R	High temperature plastic,UL94V-0	Beige	Phosphor Bronze/Matte Tin Plated	Brass / Matte Tin Plated

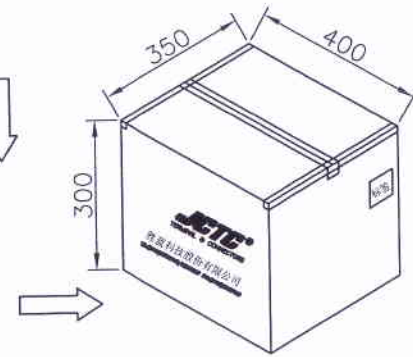
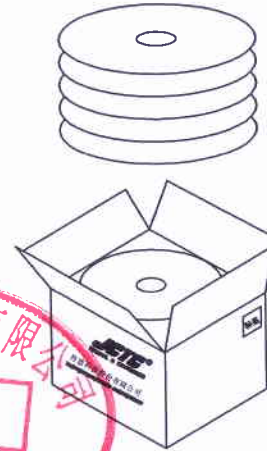
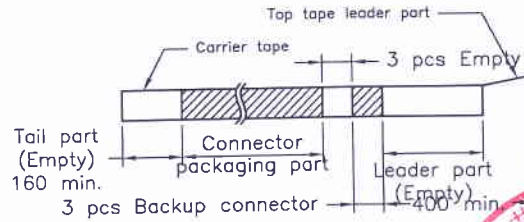
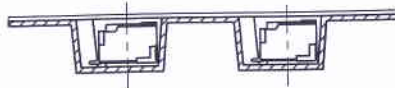
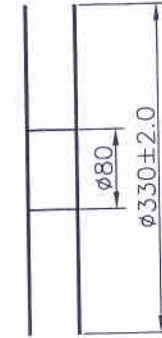
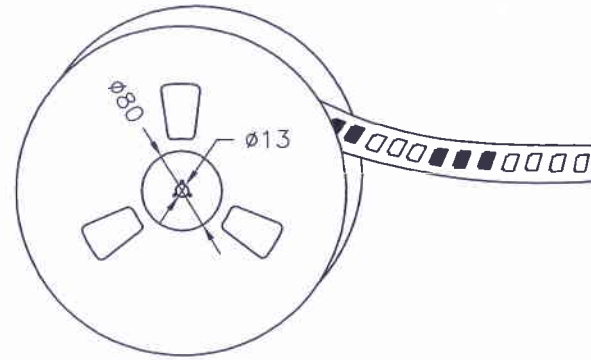
REV.	REVISION RECORD	DATE	GENERAL TOLERANCES		SCALE:	NAME	DATE	PART. NO.:	DWG. NO.:
A0	新图面发行	16.05.18	LINEAR	ANGLES	1:1			11002W90-NP-SA-XX-HF-R	ENDE05
A1	WN2003110033	20.03.10	0.0±0.25	X° REF±6°	APPROVED	张振坤	20.03.10	TITLE: JST 1.00mm PITCH CONN	 TERMINAL&CONNECTORS
			0.00±0.15	X° ±3°	DESIGNER	张振坤	20.03.10		
			0.000±0.08	X° X'±2°	DRAWN	张振坤	20.03.10		
			UNIT: MM						REV: A1
			SIZE: A4						SHEET: 1/2



02~13 Contacts



Unreeling direction →



Sealed carton

Number of Contacts	W±0.3	F±0.1	Q'ty/Reel	Q'ty/Box
02P-06P	16	7.50	1,500	21,000
07P-13P	24	11.50	1,500	15,000



REV.	REVISION RECORD	DATE	GENERAL TOLERANCES	SCALE: 1:1	NAME	DATE	PART. NO:	DWG. NO:
A0	新图面发行	16.05.18	LINEAR	APPROVED	[Signature]	20.03.10	11002W90-NP-SA-XX-HF-R	ENDE05
A1	WN2003110033	20.03.10	0.0±0.25	DESIGNER	[Signature]	20.03.10	TITLE: JST 1.00mm PITCH CONN	
			UNIT: MM	DRAWN	张振坤	20.03.10		
			SIZE: A4					

JCTC®
TERMINAL&CONNECTORS

REV: A1 SHEET: 2/2