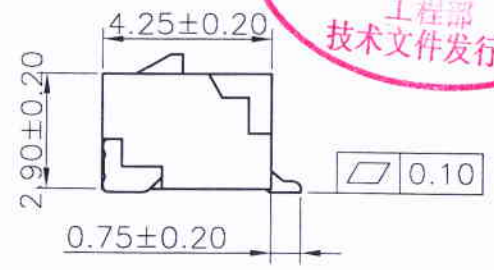
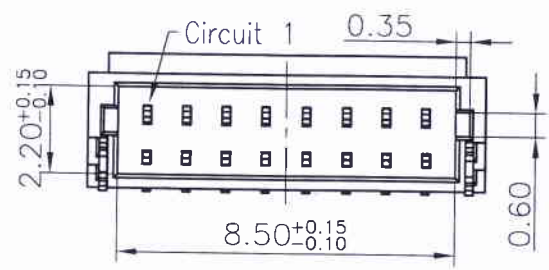
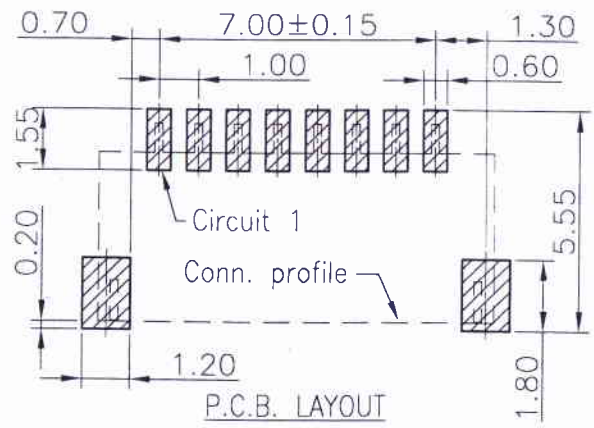
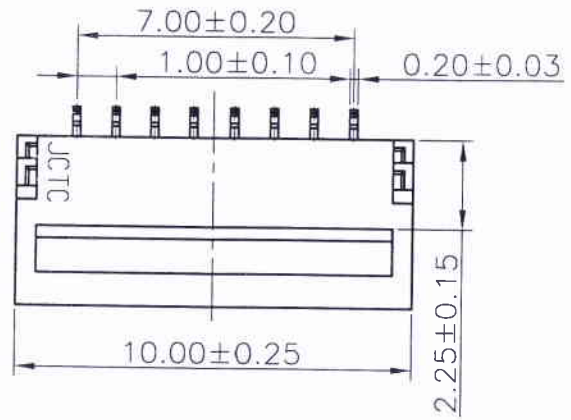


RoHS

Specifications:
 Rated Voltage : 50V AC/DC
 Rated Current : 1A AC,DC
 Withstand Voltage : 500V AC/minute
 Contact Resistance : 20mΩ(MAX.)
 Insulation Resistance : 100MΩ(MIN.)
 Temperature Range : -25°C~+85°C



11002W90-8P-SL-HF
 ① ② ③ ④ ⑤ ⑥

- ① Series No.
- ② W90 : Side Contact
W00 : Up Contact
- ③ No. of Circuits
- ④ S: SMT type
Blank: DIP type
- ⑤ L : Lock Type
- ⑥ HF : Halogen Free

Part No.	Material	Color	Pin Material	Solder Tabs
11002W90-8P-SL-HF	High temperature plastic,UL94V-0	Beige	Phosphor Bronze/Tin-plated	Brass/Tin-plated

REV.	REVISION RECORD	DATE
A0	新图面发行	16.01.07
A1	产品针槽加胶	16.08.02

GENERAL TOLERANCES		SCALE:	NAME	DATE
LINER	ANGLES	1:1		
0.00±0.25	X° REF±6°	APPROVED	<i>[Signature]</i>	16.08.02
0.00±0.15	X° ±3°	DESIGNER	<i>[Signature]</i>	16.08.02
0.000±0.08	X° X' ±2°	DRAWN	卢小锋	16.08.02

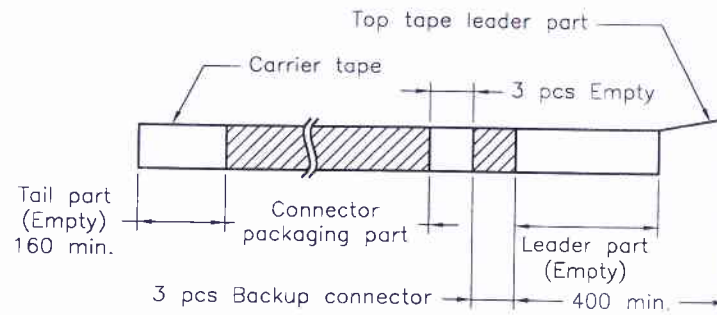
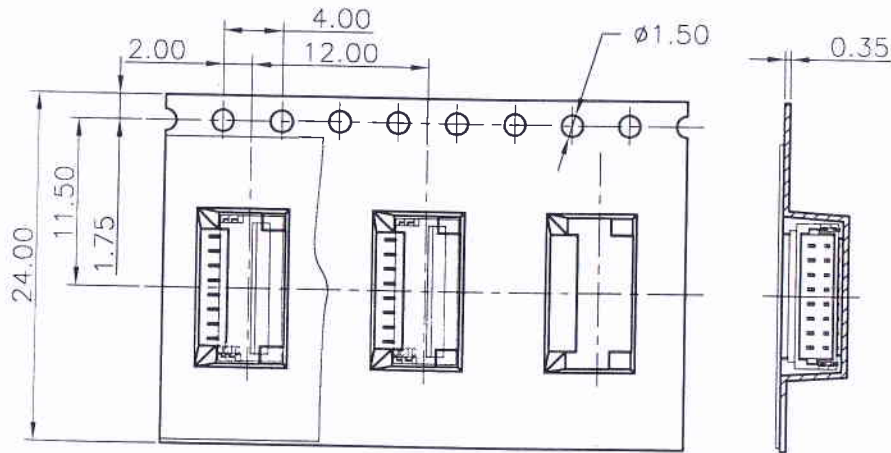
JCTC®
 TERMINAL&CONNECTORS
 苏州伟聚 东莞胜蓝
 东莞胜蓝

TITLE: JST 1.00mm PITCH CONN

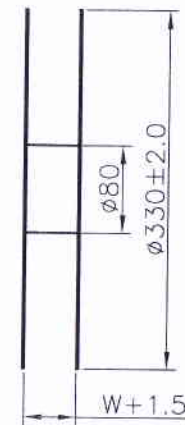
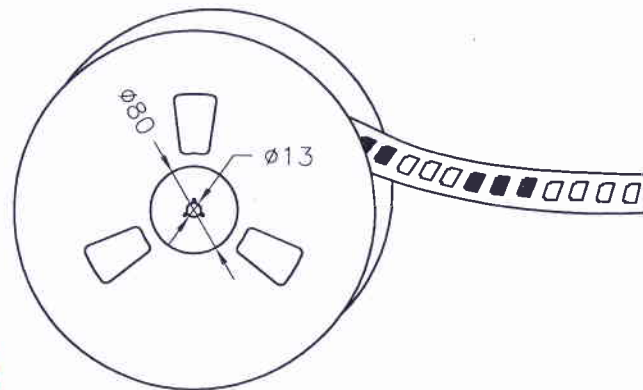
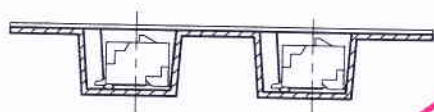
PART. NO:	11002W90-8P-SL-HF
DWG. NO:	ENDE05
REV:	A1
SHEET:	1/2

RoHS

8P Contacts



Unreeling direction →



Number of Contacts	W±0.3	F±0.1	Q'ty/Reel
8P	24	11.50	1,300

REV.	REVISION RECORD		DATE	GENERAL TOLERANCES	SCALE: 1:1	NAME	DATE
	REV.	DESCRIPTION					
A0		新图面发行	16.01.07	LINEAR 0.0 ± 0.25			
A1		产品针槽加胶	16.08.02	ANGLES X° REF ± 6°			
				0.00 ± 0.15			
				X° ± 3°			
				SIZE: A4			
				0.000 ± 0.08			
				X° X' ± 2°			

JCTC ® TERMINAL & CONNECTORS <input type="checkbox"/> 苏州伟聚 <input type="checkbox"/> 东莞胜蓝 <input checked="" type="checkbox"/> 东莞胜蓝	PART. NO: 11002W90-8P-SL-HF
	DWG. NO: ENDE05
	REV: A1 SHEET: 2/2

TITLE: JST 1.00mm PITCH CONN