

A

B

C

D

E

F

G

H

A

B

C

D

E

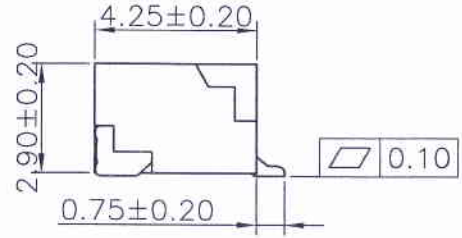
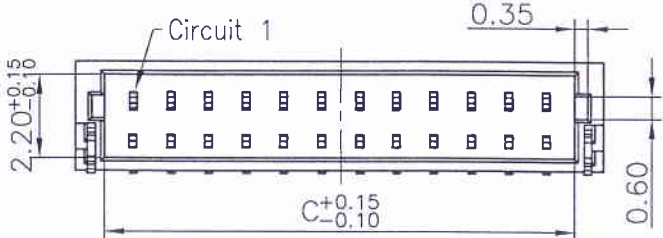
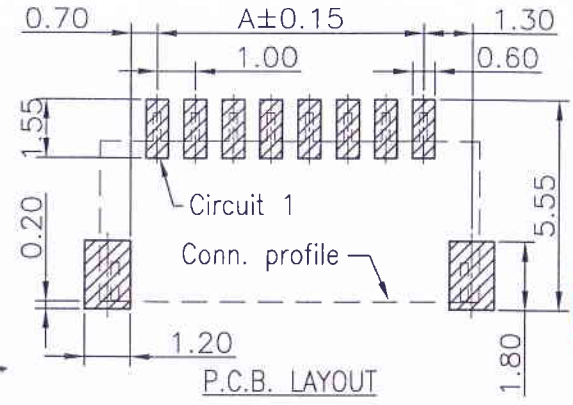
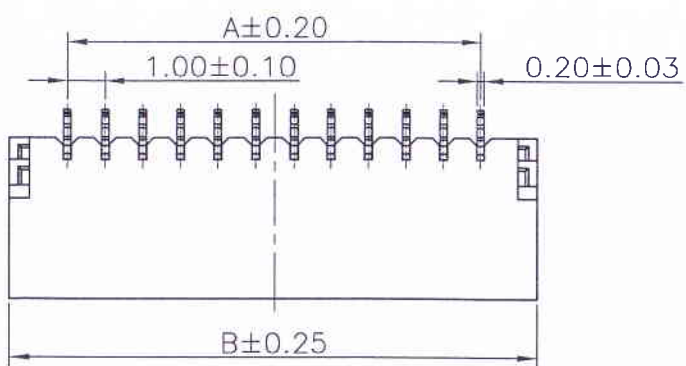
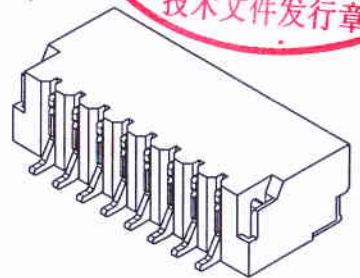
F

G

H

Dimensional Ordering Information:

Circuits Part No	Dimensions		
	A	B	C
2P	--	4.00	2.50
3P	2.00	5.00	3.50
4P	3.00	6.00	4.50
5P	4.00	7.00	5.50
6P	5.00	8.00	6.50
7P	6.00	9.00	7.50
8P	7.00	10.00	8.50
9P	8.00	11.00	9.50
10P	9.00	12.00	10.50
11P	10.00	13.00	11.50
12P	11.00	14.00	12.50
13P	12.00	15.00	13.50
14P	13.00	16.00	14.50
15P	14.00	17.00	15.50
16P	15.00	18.00	16.50
17P	16.00	19.00	17.50
18P	17.00	20.00	18.50
19P	18.00	21.00	19.50
20P	19.00	22.00	20.50
21P	20.00	23.00	21.50
22P	21.00	24.00	22.50
23P	22.00	25.00	23.50
24P	23.00	26.00	24.50



11002W90-NPX-S-H1-5A-HF-R

- ① Series No.
- ② W90 : Side Contact
W00 : Up Contact
- ③ No. of Circuits
- ④ X: Product color (A--Y)
Blank : Natural type
- ⑤ S: SMT type
- ⑥ H: H1 Type
- ⑦ 5A : PIN Gold-flash
- ⑧ HF : Halogen Free
- ⑨ R : Reel pack

Specifications:
 Rated Voltage : 50V AC/DC
 Rated Current : 1A AC,DC
 Withstand Voltage : 500V AC/minute
 Contact Resistance : 20mΩ(MAX.)
 Insulation Resistance : 100MΩ(MIN.)
 Temperature Range :-25°C~+85°C

The product using material and processing must conform to the *WI-PZ-142* HSF technical standard control requirements

Part No.	Material	Color	Pin Material	Solder Tabs
11002W90-NP-S-H1-HF-R	High temperature plastic,UL94V-0	Beige	Phosphor Bronze/Tin Plated	Phosphor Bronze/Tin Plated
11002W90-NP-S-H1-3E-HF-R	High temperature plastic,UL94V-0	Beige	Phosphor Bronze/Matte Tin Plated	Phosphor Bronze/Matte Tin Plated
11002W90-NP-S-H1-5A-HF-R	High temperature plastic,UL94V-0	Beige	Phosphor Bronze/Gold-flash	Phosphor Bronze/Gold-flash
11002W90-NPA-S-H1-S1-HF-R	High temperature plastic,UL94V-0	Black	Phosphor Bronze/Tin Plated	Phosphor Bronze/Tin Plated
11002W90-NPA-S-H1-5AE-HF-R	High temperature plastic,UL94V-0	Black	Phosphor Bronze/Gold-flash	Phosphor Bronze/Matte Tin Plated

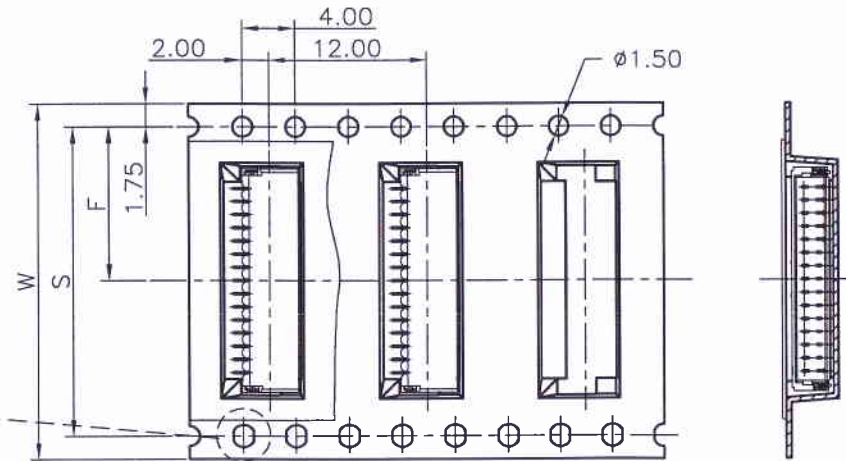
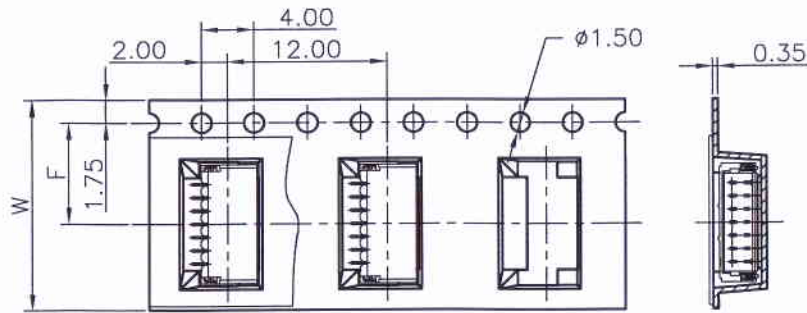
REV.	REVISION RECORD	DATE	GENERAL TOLERANCES	SCALE:	NAME	DATE	PART NO:
C0	换图框发行	13.07.10	LINEAR	1:1			11002W90-NP-S-H1-XX-HF
C1	WN1502100032	15.02.10	0.0±0.25	APPROVED			DWG. NO:
C2	依WN1808070141执行	18.08.07	0.00±0.15	DESIGNER			ENDE05
C3	WN1907030131	19.07.03	0.000±0.08	DRAWN	张振坤	19.07.03	REV: C3 SHEET: 1/2

JCTC® 胜蓝科技股份有限公司
 TERMINAL&CONNECTORS 东莞市富智达电子科技有限公司

TITLE: JST 1.00mm PITCH CONN

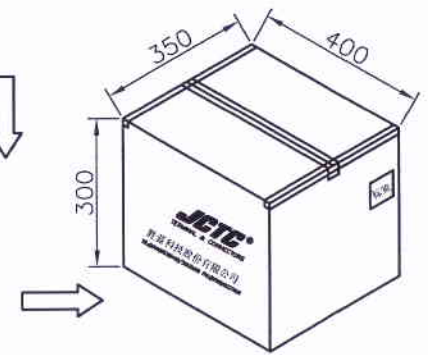
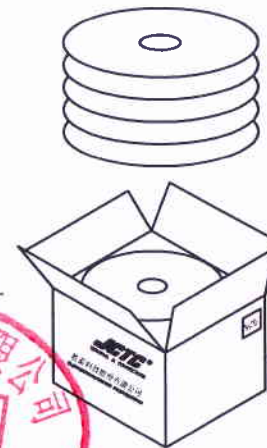
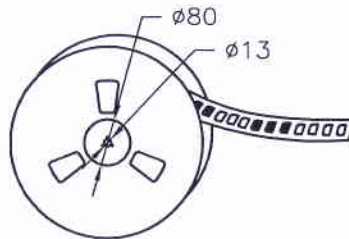
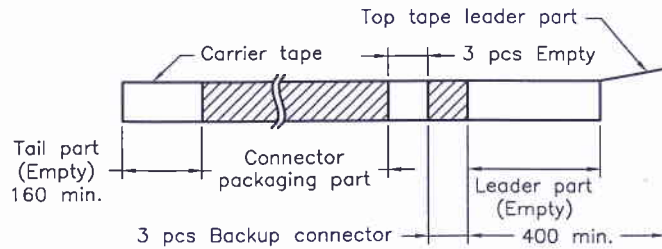
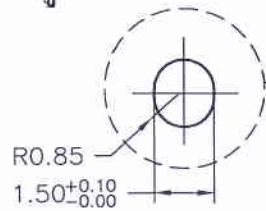
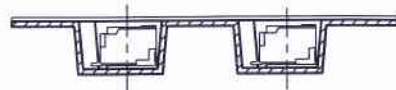
2~13P Contacts

14~24P Contacts



Unreeling direction →

Unreeling direction →



Load carton

Sealed carton



Number of Contacts	W±0.3	F±0.1	S±0.1	Q'ty/Reel	Q'ty/Box
2P-6P	16	7.50	/	1,500	21,000
7P-13P	24	11.50		1,500	15,000
14P-19P	32	14.20	28.40	1,500	12,000
20P-21P	44	20.20	40.40	1,500	9,000

REV.	REVISION RECORD	DATE	GENERAL TOLERANCES	SCALE:	NAME	DATE	PART NO:
C1	整理图面	15.02.10	LINEAR	1:1			11002W90-NP-S-H1-XX-HF
C2	依WN1808070141执行	18.08.07	0.0±0.25	APPROVED			DWG. NO:
C3	WN1907030131	19.07.03	0.00±0.15	DESIGNER			ENDE05
C4	WN1908150196	19.18.15	0.000±0.08	DRAWN	伍文聪	19.08.15	REV: C4 SHEET: 2/2

JCTC® 胜蓝科技股份有限公司
TERMINAL&CONNECTORS 东莞市富智达电子科技有限公司

TITLE: JST 1.00mm PITCH CONN