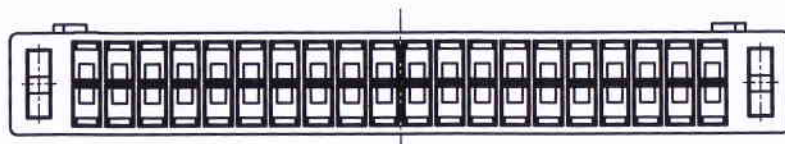
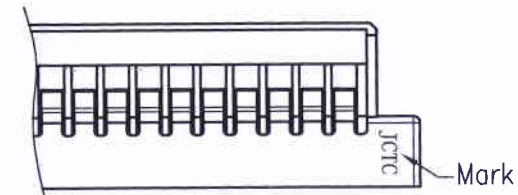
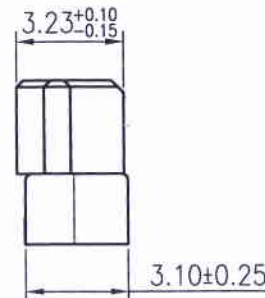
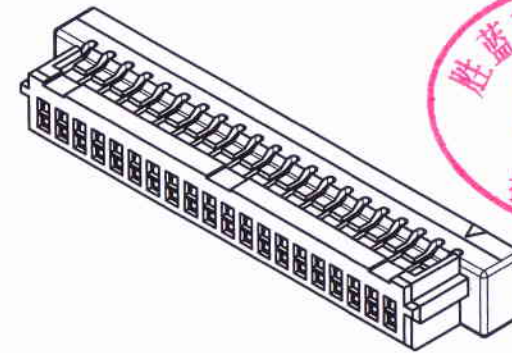
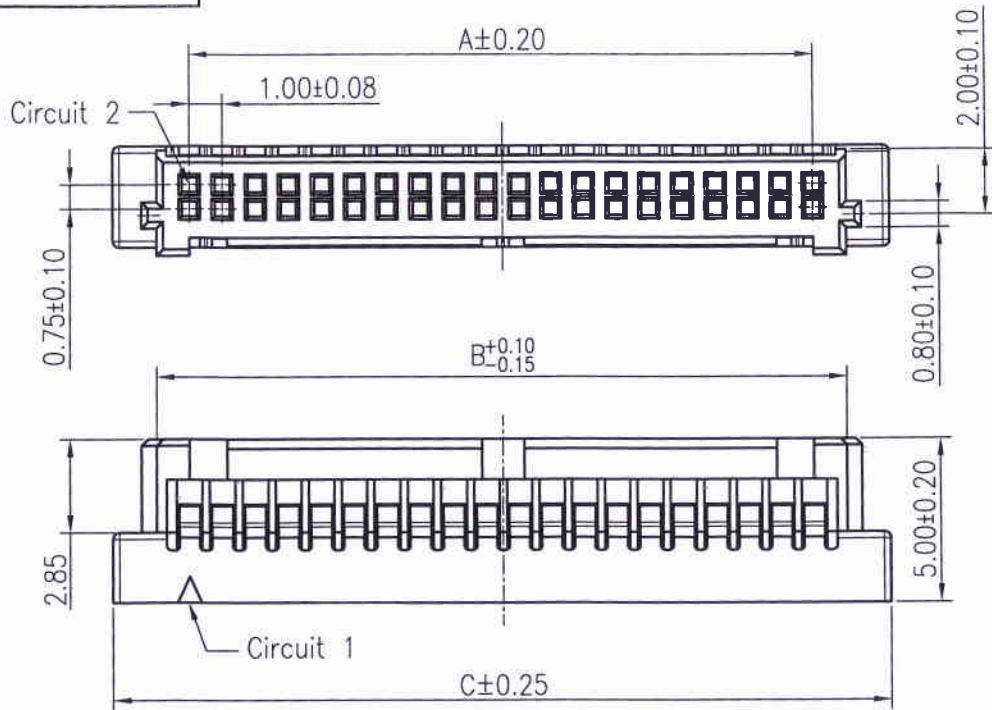


RoHS



SPECIFICATIONS

Current Rating: 1A AC,DC
 Voltage Rating: 50V AC,DC
 Temperature Range: -25°C ~ +85°C
 Contact Resistance: 20mΩ Max.
 Insulation Resistance: 100MΩ Min.
 Withstanding Voltage: 250V AC/minute

11005H00-2xNP-T-HF
 ① ② ③ ④ ⑤

- ① Series No.
- ② H90 : Side Contact
H00 : Up Contact
- ③ No. of Circuits
- ④ T : T Type
- ⑤ HF : Halogen Free

Circuit No.	Dimensions		
	A	B	C
2x10P	9.00	11.00	13.65
2x15P	14.00	16.00	18.65
2x20P	19.00	21.00	23.65
2x25P	24.00	26.00	28.65

Part No.	Material	Color
11005H00-2xNP-T	Nylon 46,UL94V-0	Natural(Beige)
11005H00-2xNP-T-HF	Nylon 66,UL94V-0	白色无磷
11005H00-2xNPA-T-HF	Nylon 66,UL94V-0	黑色无磷

REV.	REVISION RECORD	DATE	GENERAL TOLERANCES	SCALE:	NAME	DATE	JCTC ® 胜蓝科技股份有限公司 TERMINAL&CONNECTORS 东莞市富智达电子科技有限公司 TITLE: 1.00mm PITCH DUAL ROW HOUSING	PART. NO:
C1	HN1102210031	11. 02. 21	L LINEAR	1:1	APPROVED	18/3/21		11005H00-2xNP-T-XX
C2	HN1212060108	12. 12. 07	0. 0±0. 25		DESIGNER	17.03.27		DWG. NO:
C3	HN1305130063	13. 05. 13	0. 00±0. 15		DRAWN	卢小锋		ENDE05
C4	变更公司名称	17. 03. 27	0. 000±0. 08				REV: C4	SHEET: 1/1