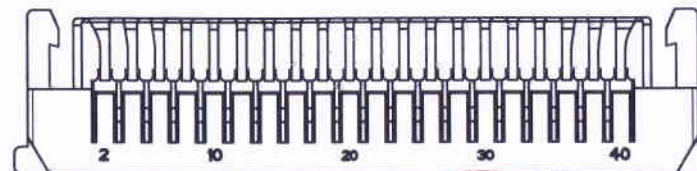
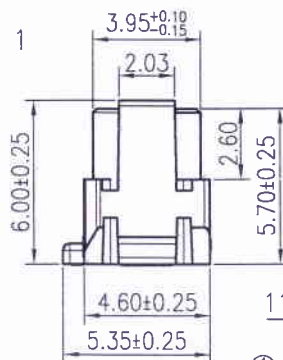
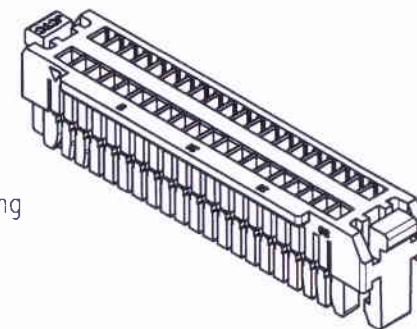


SPECIFICATIONS

Current Rating: 1A AC,DC
 Voltage Rating: 50V AC,DC
 Temperature Range: -25°C ~ +85°C
 Contact Resistance: 30mΩ Max.
 Insulation Resistance: 100MΩ Min.
 Withstanding Voltage: 500V AC/minute
 The product using material and processing must conform to the "WI-PZ-142"HSF technical standard control requirements



11006H00-2xNPX-L-HF

① ② ③ ④ ⑤ ⑥

- ① Series No.
- ② H90 : Side Contact
H00 : Up Contact
- ③ No. of Circuits
- ④ A : Product color(A--Y)
Blank : Natural type
- ⑤ L : With Lock
- ⑥ HF : Halogen Free



Circuit No.	Dimensions			
	A	B	C	D
2x7P	6.00	8.30	12.70	9.40
2x10P	9.00	11.30	15.70	12.40
2x12P	11.00	13.30	17.70	14.40
2x15P	14.00	16.30	20.70	17.40
2x20P	19.00	21.30	25.70	22.40
2x25P	24.00	26.30	30.70	27.40

Part No.	Material	Color	Circuit No.	A	B	C	D
11006H00-2xNP-L	PBT,UL94V-0	White	2x10P	9.00	11.30	15.70	12.40
11006H00-2xNP-L-HF	Nylon66,UL94V-0	White	2x12P	11.00	13.30	17.70	14.40
11006H00-2xNPA-L	PBT,UL94V-0	Black	2x15P	14.00	16.30	20.70	17.40
11006H00-2xNPA-L-HF	Nylon66,UL94V-0	Black	2x20P	19.00	21.30	25.70	22.40
			2x25P	24.00	26.30	30.70	27.40



REV.	REVISION RECORD	DATE	UNIT: MM	GENERAL TOLERANCES	SCALE: 1:1	NAME	DATE	JCTC ® 胜蓝科技股份有限公司 TERMINAL&CONNECTORS 东莞市富智达电子科技有限公司 TITLE: SHLDP DUAL ROW 1.00 PITCH HOUSING	PART. NO:	
C1	新增规格	12.09.17		LINEAR	APPROVED: DESIGNER: DRAWN: 伍文聪	 18.02.05	18.02.06		11006H00-2xNPX-L	
C2	新增规格	15.01.28		0.0±0.25					X° REF±6°	DWG. NO:
C3	HR1611090215	17.01.18		0.00±0.15					X° ±3°	ENDE05
C4	依180206036增加规格	18.02.06		0.000±0.08				X° X'±2°	REV: C4 SHEET: 1/1	