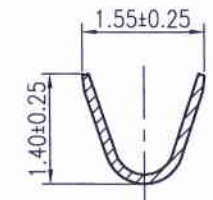
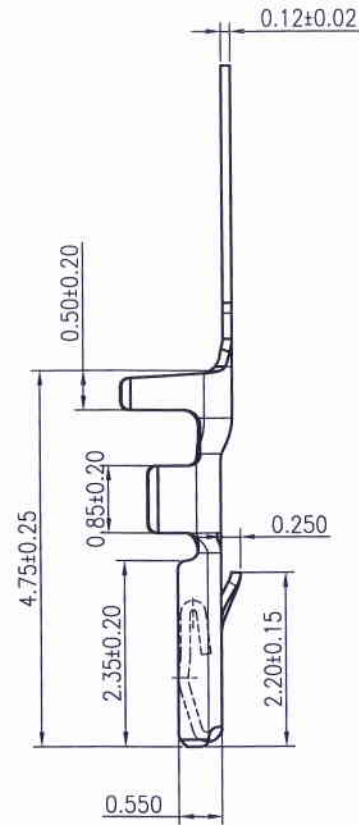
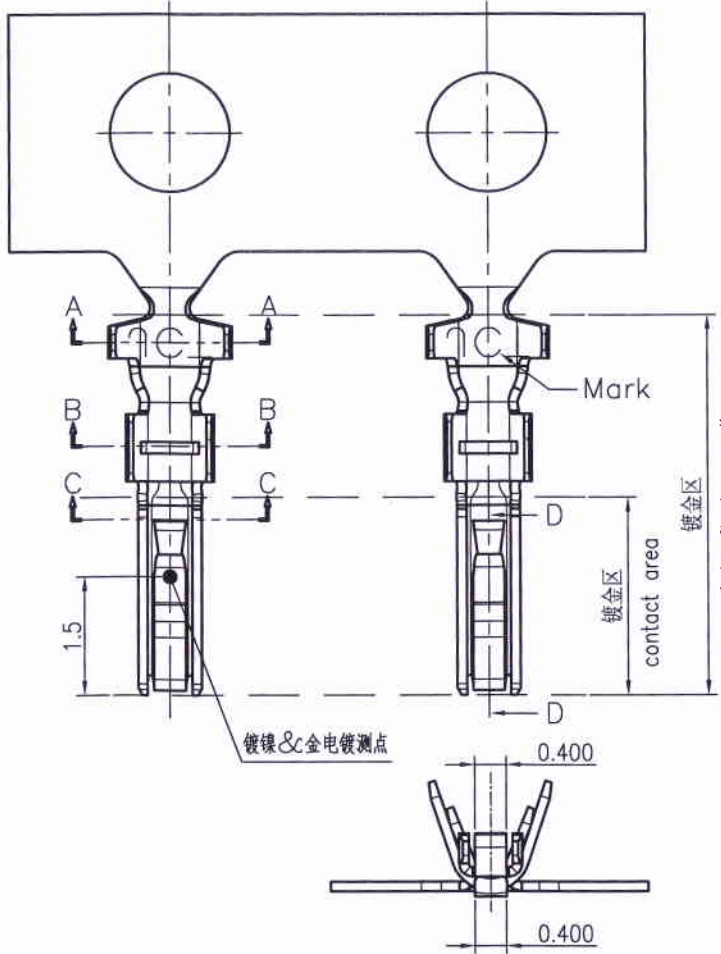
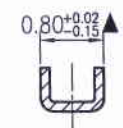


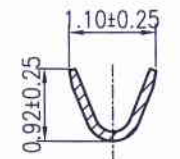
RoHS



SEC:A-A



SEC:C-C



SEC:B-B



Note: 11006TOP-XX

- Finish
- | | | |
|----------------|----------|----------|
| 0A--Gold-flash | 0B--2u" | 0C--3u" |
| 0D--4u" | 0E--5u" | 0F--10u" |
| 0G--15u" | 0H--30u" | 0I--50u" |
| 5A--Gold-flash | 5B--2u" | 5C--3u" |
| 5D--4u" | 5E--5u" | 5F--10u" |
| 5G--15u" | 5H--30u" | 5I--50u" |

Part No.	Wire Range	Insulation O.D.	Material	Finish	Qty/reel
11006TOP-2E	AWG #28~#32	0.60mm(max)	Phosphor Bronze	Tin-plated	20,000 pcs
11006TOP-0X	AWG #28~#32	0.60mm(max)	Phosphor Bronze	Gold-Plated on contact area	20,000 pcs
11006TOP-5X	AWG #28~#32	0.60mm(max)	Phosphor Bronze	Gold-Plated	20,000 pcs

REV.	REVISION RECORD	DATE	GENERAL TOLERANCES	SCALE:	NAME	DATE	PART. NO:
C2	新增规格	12.09.17	LINEAR	1:1			11006TOP-XX
C3	TN1212060108	12.12.06	0.0±0.25	APPROVED			DWG. NO:
C4	TN1312110217	13.12.11	X° REF±6°	DESIGNER			ENDE05
C5	变更公司名称	17.03.27	X° ±3°	DRAWN	卢小锋	17.03.27	REV: C5 SHEET: 1/1
			0.000±0.08				

JCTC 胜蓝科技股份有限公司
 TERMINAL&CONNECTORS 东莞市富智达电子科技有限公司
 TITLE: JST SHLDP 1.00 Terminal