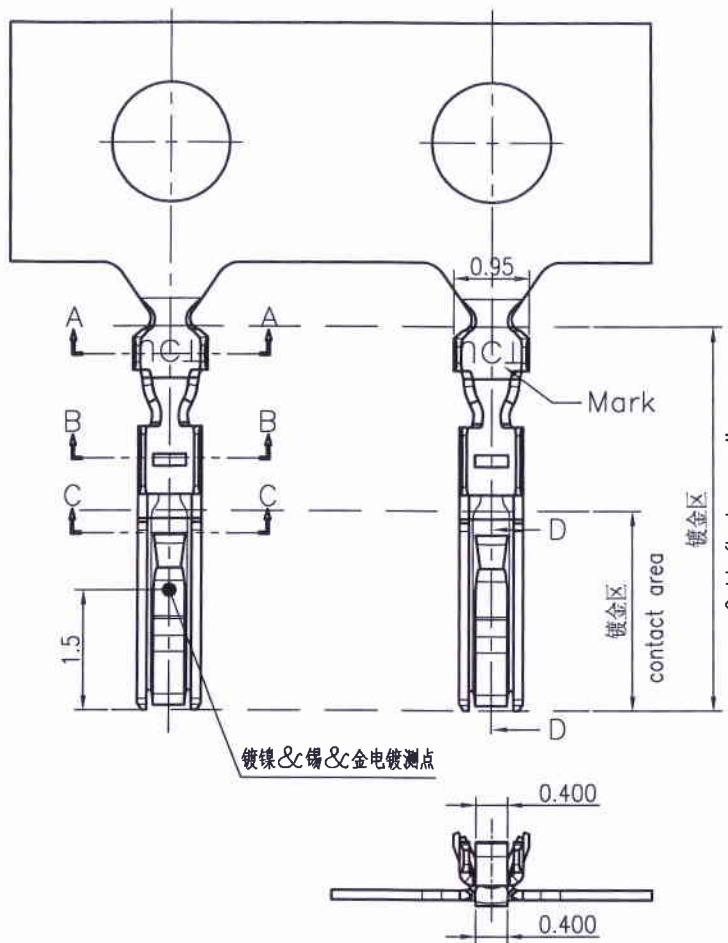
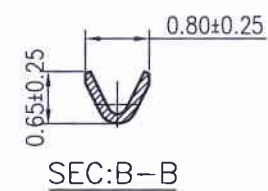
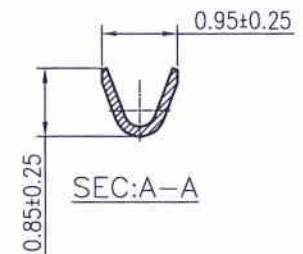
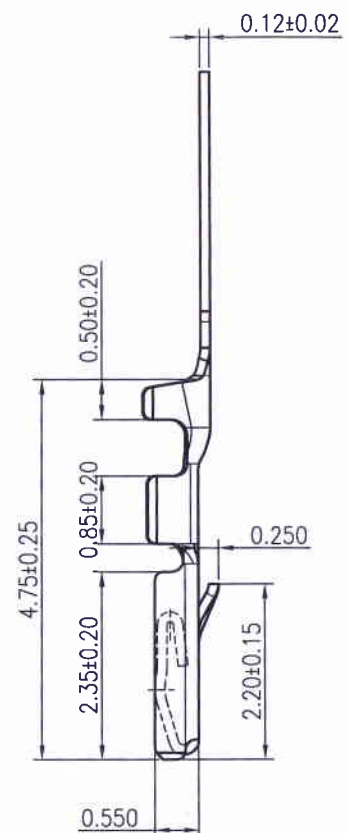


RoHS



Gold-flash on all



Note: 11006T1P-XX

- Finish
- |                |          |          |
|----------------|----------|----------|
| 0A--Gold-flash | 0B--2u"  | 0C--3u"  |
| 0D--4u"        | 0E--5u"  | 0F--10u" |
| 0G--15u"       | 0H--30u" | 0I--50u" |
| 5A--Gold-flash | 5B--2u"  | 5C--3u"  |
| 5D--4u"        | 5E--5u"  | 5F--10u" |
| 5G--15u"       | 5H--30u" | 5I--50u" |



Part No.	Wire Range	Insulation O.D.	Material	Finish	Qty/reel
11006T1P-2E	AWG #34	0.32mm(max)	Phosphor Bronze	Tin-plated	20,000 pcs
11006T1P-0X	AWG #34	0.32mm(max)	Phosphor Bronze	Gold-Plated on contact area	20,000 pcs
11006T1P-5X	AWG #34	0.32mm(max)	Phosphor Bronze	Gold-Plated	20,000 pcs

REV.	REVISION RECORD		DATE	GENERAL TOLERANCES	SCALE: 1:1	NAME	DATE	PART. NO:
	REVISION	DESCRIPTION						
A0	新图面发行		16.06.22	LINEAR				11006T1P-XX
A1	变更公司名称		17.03.27	ANGLES				DWG. NO:
				0.0±0.25	X° REF±6°			ENDE05
				UNIT: MM	0.00±0.15	X° ±3°		REV: A1
				SIZE: A4	0.000±0.08	X° X'±2°		SHEET: 1/1

**JCTC** 胜蓝科技股份有限公司  
TERMINAL&CONNECTORS 东莞市富智达电子科技有限公司

TITLE: JST SHL 1.00 Terminal

DESIGNER: 卢小锋 17.03.27  
DRAWN: 卢小锋 17.03.27