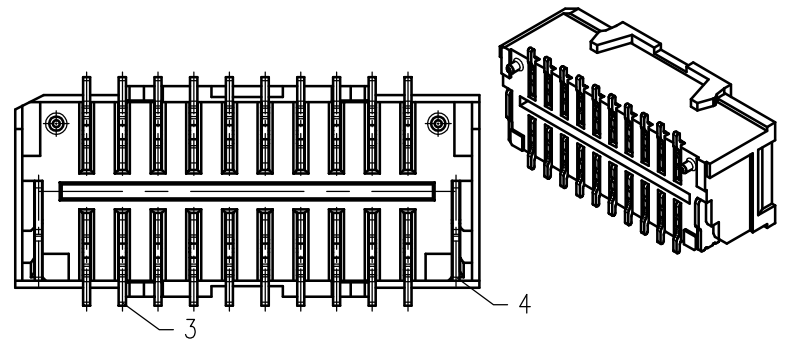
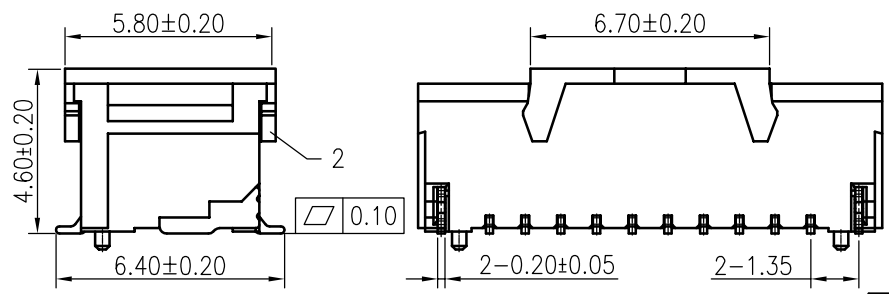
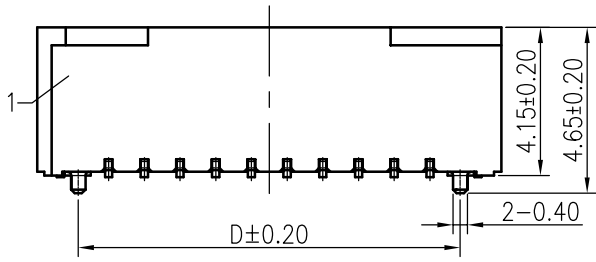


SPECIFICATIONS
 Voltage Rating: 50V AC,DC
 Current Rating: 1A AC,DC
 Withstanding Voltage: 500V AC/minute
 Contact Resistance: 20mΩ Max.
 Insulation Resistance: 100MΩ Min.
 Temperature Range: -25°C ~ +85°C
 The product using material and processing must conform to the "WI-PZ-142" HSF technical standard control requirements

11006W00-2XNP-SF-XX-HF-NK-R
 ① ② ③ ④⑤⑥ ⑦ ⑧ ⑨

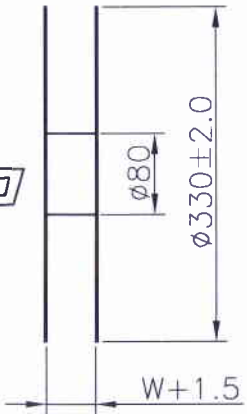
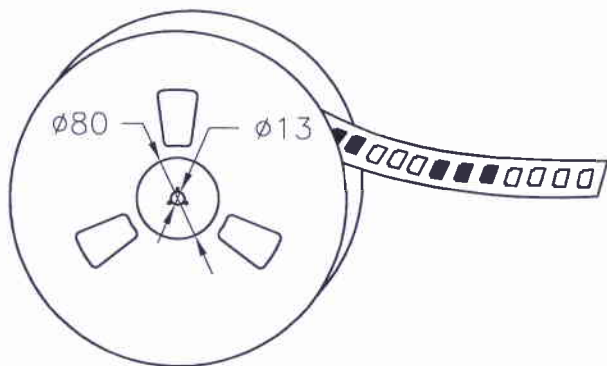
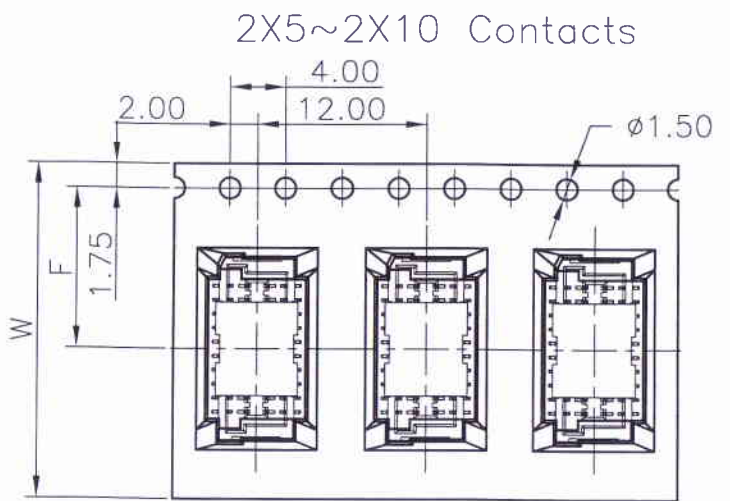
- ① Series No.
- ② W90 : Side Contact
W00 : Up Contact
- ③ No. of Circuits
- ④ S: SMT type
- ⑤ F : Boss type
- ⑥ 5A: Pin Gold-flash
5D: Pin Gold-plated 4u"
- ⑦ HF : Halogen Free
- ⑧ NK : No Mark
- ⑨ R : Reel pack



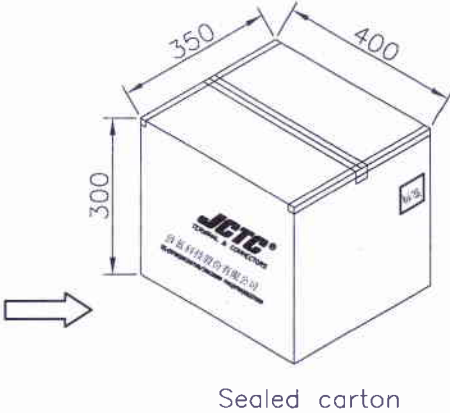
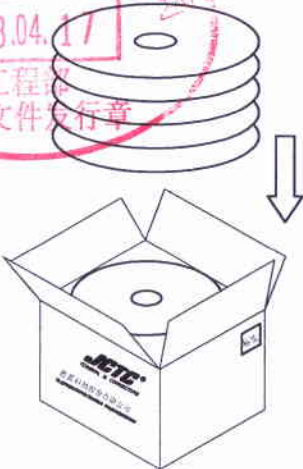
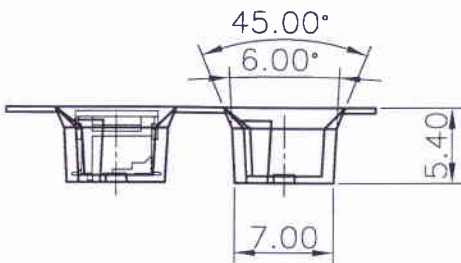
Dimensional Ordering Information:				
Circuits Part No	Dimensions			
	A	B	C	D
2X7P	7.75	6.00	10.00	7.70
2X10P	10.75	9.00	13.00	10.70

Part No.	Part Name	Q'TY	Material	Finish/Color
1	Housing	1	High temperature plastic	UL94V-0; Beige
2	Cap	1	High temperature plastic	UL94V-0; Beige
3	Pin	*	Phosphor Bronze	50u" Min.Nickel Under platted Over All. Gold Plated on contact area&Solder Tails.
4	Solder Tabs	2	Brass	50u" Min.Nickel Under platted Over All. Gold-flash on contact area&Solder Tails.

REV.	REVISION RECORD	DATE	GENERAL TOLERANCES		SCALE:	NAME	DATE	PART. NO: 11006W00-2XNP-SF-XX-HF-NK-R
A0	新图面发行	18.04.16	LINEAR	ANGLES	1:1			
			0.0±0.25	X° REF±6°	APPROVED			
			UNIT: MM	0.00±0.15	X° ±3°	DESIGNER		
			SIZE: A4	0.000±0.08	X° X'±2°	DRAWN	卢小锋 18.04.16	
JCTC ® 胜蓝科技股份有限公司 TERMINAL&CONNECTORS 东莞市富智达电子科技有限公司 TITLE: JST 1.00mm PITCH 双排带防呆柱 CONN								DWG. NO: ENDE05 REV: A0 SHEET: 1/2



Unreeling direction →



Number of Contacts	W±0.3	F±0.1	前空	后空	Q'ty/Reel	Q'ty/Box
2X7P	24	11.50	20PCS	36PCS	1,000	10,000
2X10P	24	11.50	20PCS	36PCS	1,000	10,000

REV.	REVISION RECORD	DATE	UNIT: MM	GENERAL TOLERANCES		SCALE: 1:1	NAME	DATE	JCTC® 胜蓝科技股份有限公司 TERMINAL&CONNECTORS 东莞市富智达电子科技有限公司	PART. NO:
A0	新图面发行	18.04.16		SIZE: A4	LINEAR	ANGLES	APPROVED	[Signature]		[Signature]
			0.0 ± 0.25		X° REF ± 6°	DESIGNER	[Signature]	18.04.16	DWG. NO:	
				0.00 ± 0.15	X° ± 3°	DRAWN	卢小锋	18.04.16	TITLE:	ENDE05
				0.000 ± 0.08	X° X' ± 2°				JST 1.00mm PITCH 双排带防呆柱 CONN	REV: A0 SHEET: 2/2