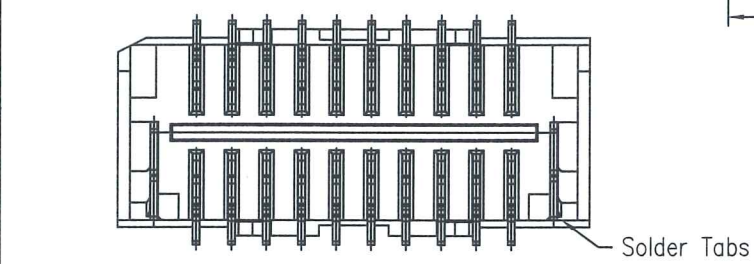
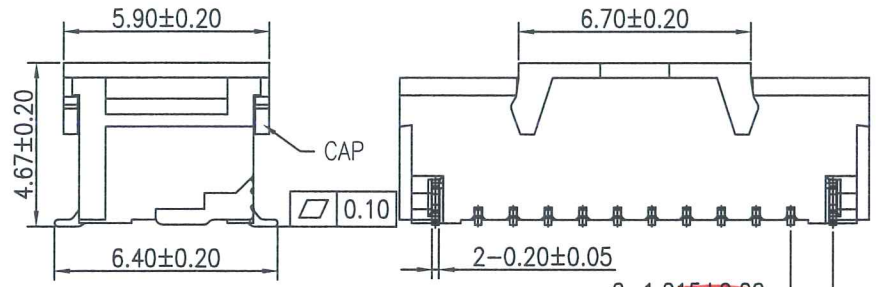
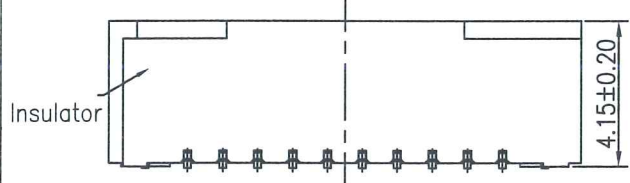


SPECIFICATIONS
 Voltage Rating: 50V AC,DC
 Current Rating: 1A AC,DC
 Withstanding Voltage: 500V AC/minute
 Contact Resistance: 20mΩ Max.
 Insulation Resistance: 100MΩ Min.
 Temperature Range: -25°C ~ +85°C
 The product using material and processing must conform to the "WI-PZ-142" HSF technical standard control requirements

RECOMENED PCB LAYOUT
 TOLERANCT±0.05mm

11006W00-2XNP-S-A-XX-HF-NK-R
 ① ② ③ ④ ⑤ ⑥ ⑦ ⑧ ⑨

- ① Series No.
- ② W90 : Side Contact
W00 : Up Contact
- ③ No. of Circuits
- ④ S: SMT type
- ⑤ A: A type
- ⑥ Finish: Au Over 50u"Min Ni
- ⑦ HF : Halogen Free
- ⑧ NK : No Mark
- ⑨ R : Reel pack



Circuits Part No	Dimensions		
	A	B	C
2X5P	5.80	4.00	8.50
2X6P	6.80	5.00	9.50
2X7P	7.80	6.00	10.50
2X10P	10.80	9.00	13.50
2X12P	12.80	11.00	15.50
2X15P	15.80	14.00	18.50
2X20P	20.80	19.00	23.50



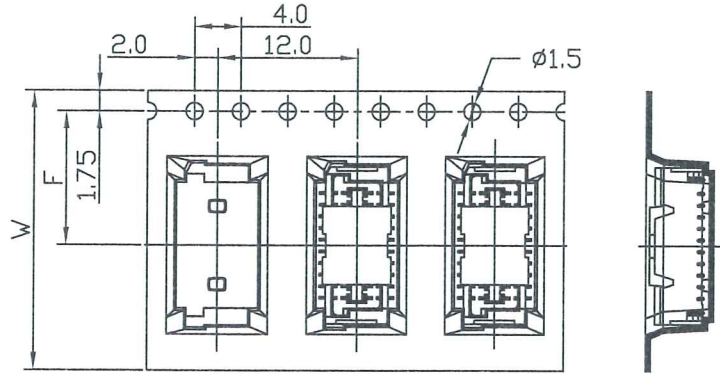
Part No.	Insulator	Color	Pin Material	Solder Tabs
11006W00-2XNP-S-A-5A-HF-NK-R	High temperature plastic,UL94V-0	Beige	Phosphor Bronze/Gold-flash	Brass/Gold-flash Over Ni
11006W00-2XNP-S-A-5C-HF-NK-R	High temperature plastic,UL94V-0	Beige	Phosphor Bronze/Au 3u"	Brass/Gold-flash Over Ni
11006W00-2XNP-S-A-5G-HF-NK-R	High temperature plastic,UL94V-0	Beige	Phosphor Bronze/Au 15u"	Brass/Gold-flash Over Ni
11006W00-2XNP-S-A-3E-HF-NK-R	High temperature plastic,UL94V-0	Beige	Phosphor Bronze/Matte Tin Over Ni	Brass/Matte Tin Over Ni

REV.	REVISION RECORD	DATE	GENERAL TOLERANCES	SCALE:	NAME	DATE	PART. NO.:	DWG. NO.:
AO	Initial Release	21.03.25	LINEAR	1:1	Nelson	21.07.29	11006W00-2XNP-S-A-XX-HF-NK-R	ENDE05
			0.0±0.25	APPROVED	UM	21.07.29		
			0.00±0.15	DESIGNER	JIA	21.03.25	TITLE:	
			0.000±0.08	DRAWN			1.00mm PITCH 双排 CONN-加强防呆	

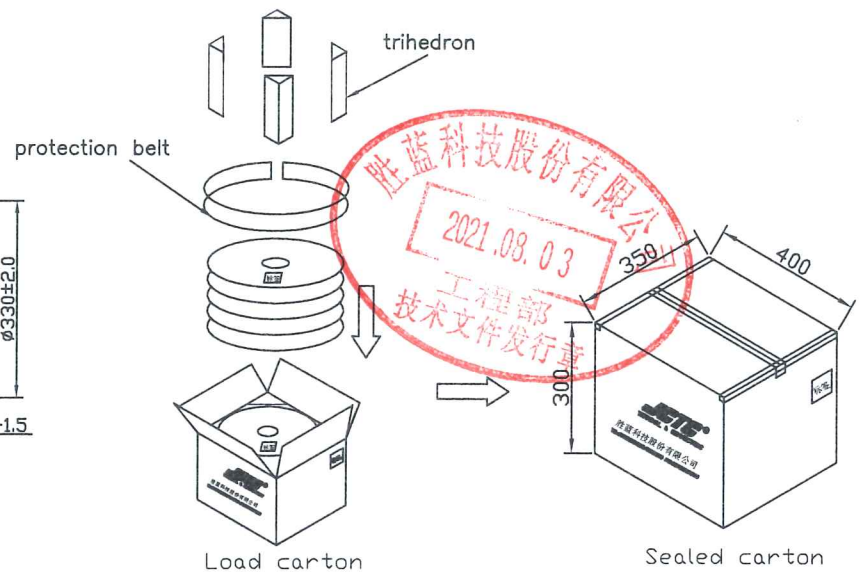
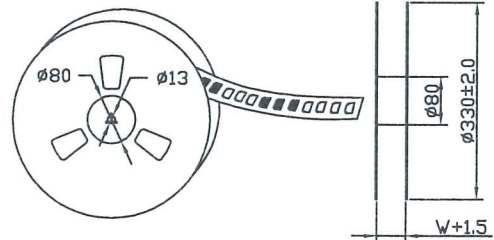
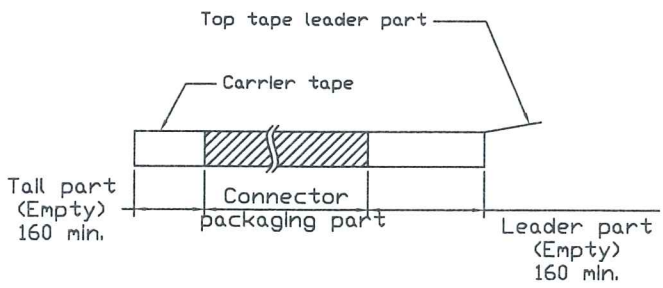
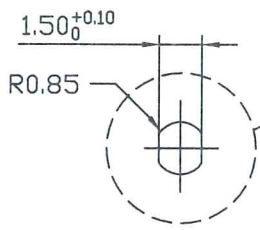
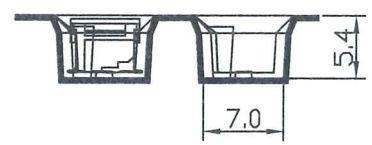
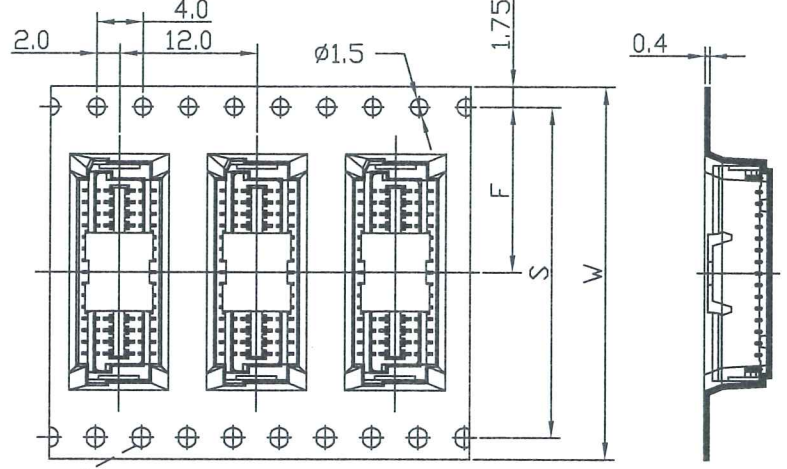


REV: AO SHEET: 1/2

2X5~2X13 Contacts



2X14P~2X25P Contacts



Number of Contacts	W±0.3	F±0.1	S±0.1	Pcs/Reel	Pcs/Box
2X6P~2X13P	24	11.50	--	1,000	10,000
2X14P~2X16P	32	14.20	28.40	1,000	8,000
2X20P~2X25P	44	20.20	40.40	1,000	6,000

REV.	REVISION RECORD	DATE	GENERAL TOLERANCES	SCALE:	NAME	DATE	PART. NO.:	DWG. NO.:	 JCTC® TERMINAL&CONNECTORS
A0	Initial Release	21.03.25	LINEAR	1:1			11006W00-2XNP-S-A-XX-HF-NK-R	ENDE05	
			0.0±0.25	APPROVED	<i>nelson</i>	21.07.29	TITLE: 1.00mm PITCH 双排 CONN-加强防呆		
			0.00±0.15	DESIGNER	<i>ml</i>	21.07.29	REV: A0 SHEET: 2/2		
			0.000±0.08	DRAWN	JIA	21.03.25			