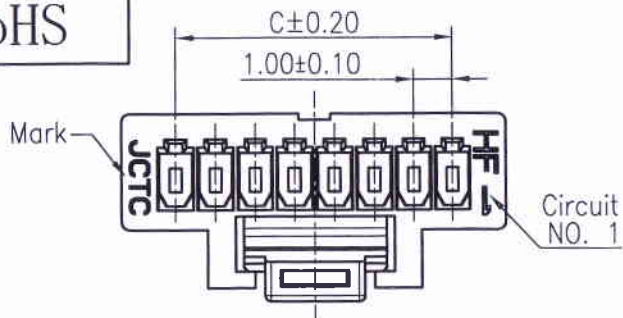
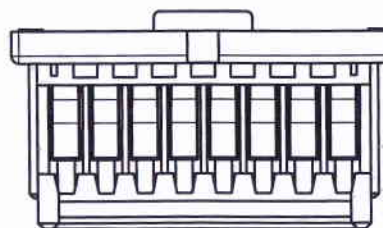
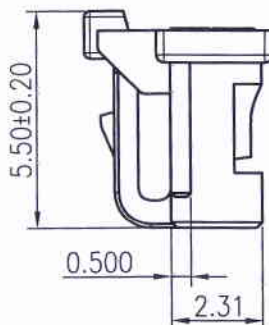
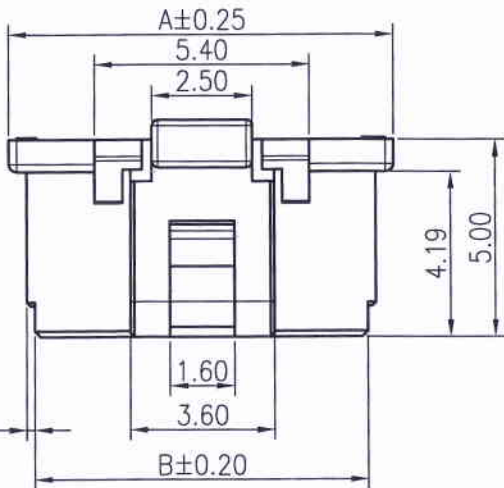
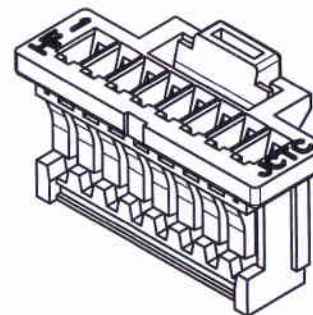


RoHS



SPECIFICATIONS

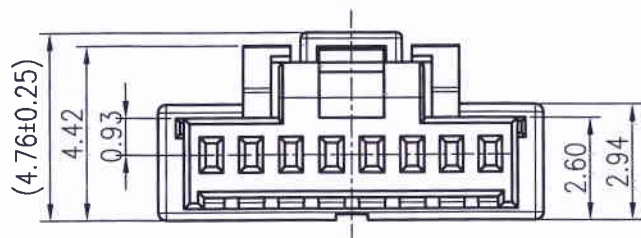
Current Rating: 1A AC,DC
 Voltage Rating: 50V AC,DC
 Withstanding Voltage: 250V AC/minute
 Contact Resistance: 20mΩ Max.
 Insulation Resistance: 100MΩ Min.
 Temperature Range: -25°C ~ +85°C



Circuit No.	Dimensions		
	A	B	C
6P	7.70	6.40	5.00
7P	8.70	7.40	6.00
8P	9.70	8.40	7.00
9P	10.70	9.40	8.00
10P	11.70	10.40	9.00
11P	12.70	11.40	10.00
12P	13.70	12.40	11.00
13P	14.70	13.40	12.00
14P	15.70	14.40	13.00
15P	16.70	15.40	14.00

11007H00-NP-L-HF
 ① ② ③ ④ ⑤

- ① Series No.
- ② H90 : Side Contact
H00 : Up Contact
- ③ No. of Circuits
- ④ L : With Lock
- ⑤ HF : Halogen Free



Suitable for JCTC 11007 series terminal

Part No.	Material	Color
11007H00-NP-L-HF	Nylon 66,UL94V-0	Natural(White)

REV.	REVISION RECORD	DATE	GENERAL TOLERANCES	SCALE:	NAME	DATE
AO	新图面发行	15.04.15	LINEAR	1:1		
A1	变更公司名称	17.03.27	ANGLES	APPROVED		
			0.0±0.25	DESIGNER		
			X° REF±6°	DRAWN	卢小锋	17.03.27
			UNIT: MM			
			0.00±0.15			
			X° ±3°			
			SIZE: A4			
			0.000±0.08			
			X° X'±2°			

TITLE:	PART. NO.:
Molex 501330 SINGLE ROW 1.00mm PITCH HOUSING	11007H00-NP-L-XX
	DWG. NO. ENDE05
	REV: A1 SHEET: 1/1