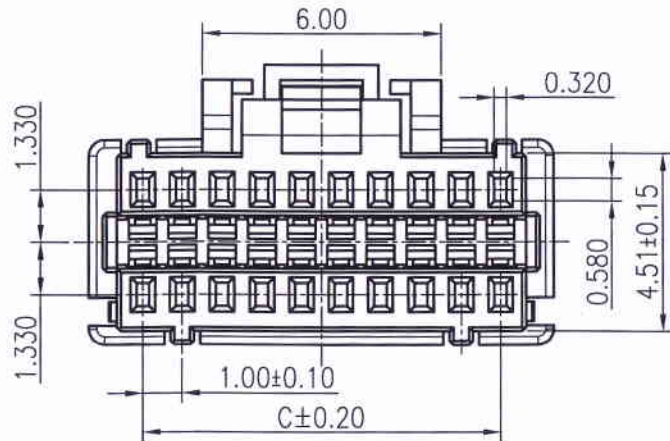
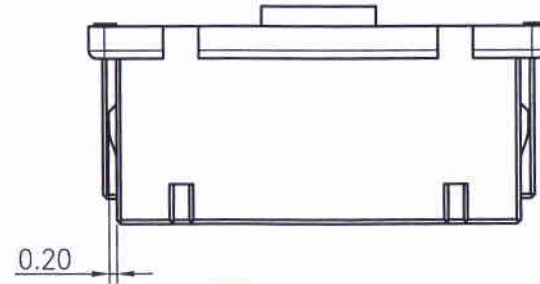
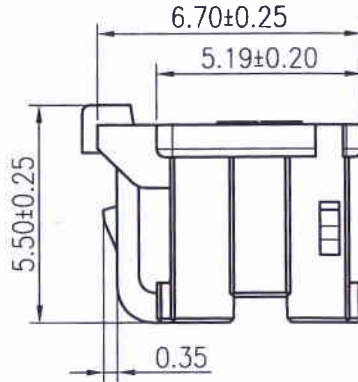
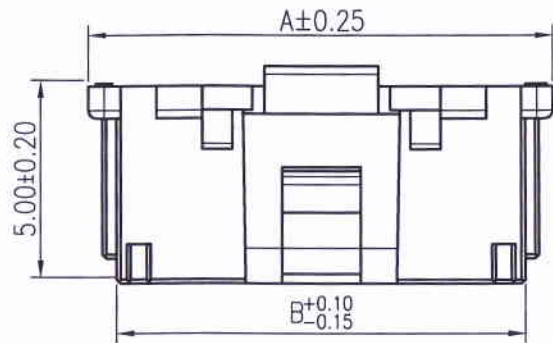
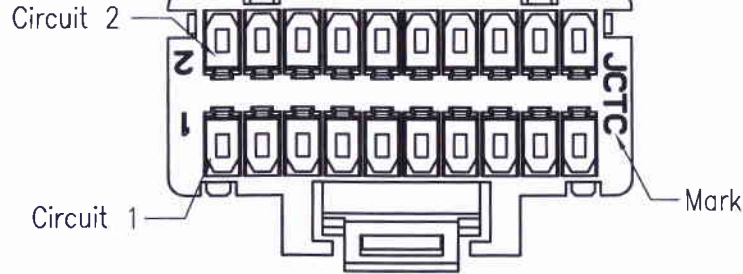
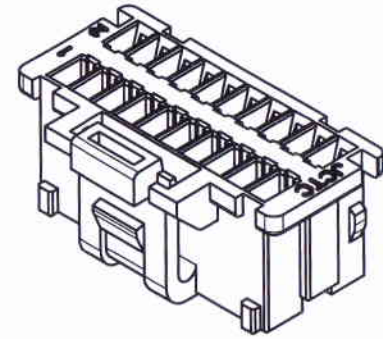


RoHS

SPECIFICATIONS

Current Rating: 1A AC,DC
 Voltage Rating: 50V AC,DC
 Withstanding Voltage: 250V AC/minute
 Contact Resistance: 20mΩ Max.
 Insulation Resistance: 100MΩ Min.
 Temperature Range: -25°C ~ +85°C



11007H00-2xNPX-L-HF

① ② ③ ④ ⑤ ⑥

- ① Series No.
- ② H90 : Side Contact
H00 : Up Contact
- ③ No. of Circuits
- ④ X : Product color(A--Y)
Blank : Natural type
- ⑤ L : With Lock
- ⑥ HF : Halogen Free



Circuit No.	Dimensions		
	A	B	C
2x10P	11.70	10.30	9.00
2x15P	16.70	15.30	14.00
2x20P	21.70	20.30	19.00
2x25P	26.70	25.30	24.00

Suitable for JCTC 11007 series terminal

Part No.	Material	Color
11007H00-2xNP-L-HF	Nylon 66,UL94V-0	Natural(White)
11007H00-2xNPJ-L-HF	Nylon 66,UL94V-0	Gray
11007H00-2xNPA-L-HF	Nylon 66,UL94V-0	Black

REV.	REVISION RECORD	DATE	GENERAL TOLERANCES	SCALE:	NAME	D/TE	PART. NO: 11007H00-2xNPJ-L-XX
C0	换图框发行	12.02.04	LINEAR	1:1	APPROVED		
C1	新增本色规格	14.03.26	0.0±0.25	ANGLES	DESIGNER		REV: C3 SHEET: 1/1
C2	新增黑色规格	16.05.05	0.00±0.15	X° REF±6°	DRAWN		
C3	变更公司名称	17.03.27	0.000±0.08	X° ±3°			
TITLE: Molex 501189 DUAL ROW 1.00mm PITCH HOUSING							

JCTC 胜蓝科技股份有限公司
 TERMINAL&CONNECTORS 东莞市富智达电子科技有限公司