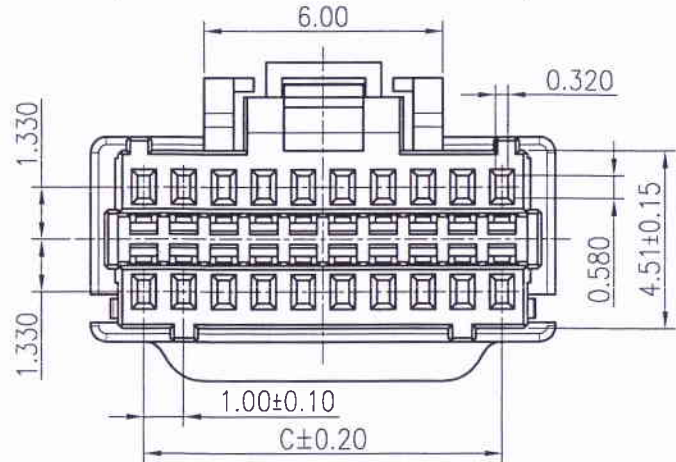
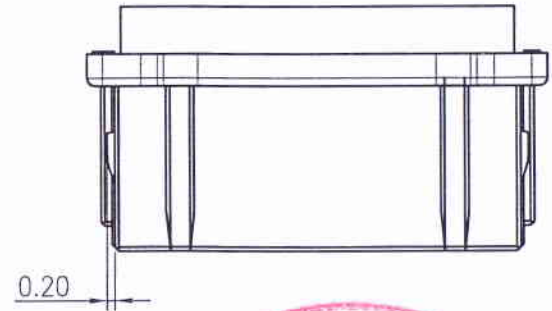
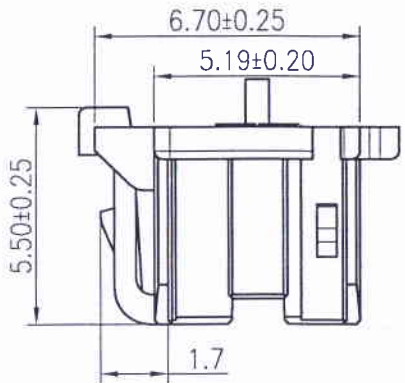
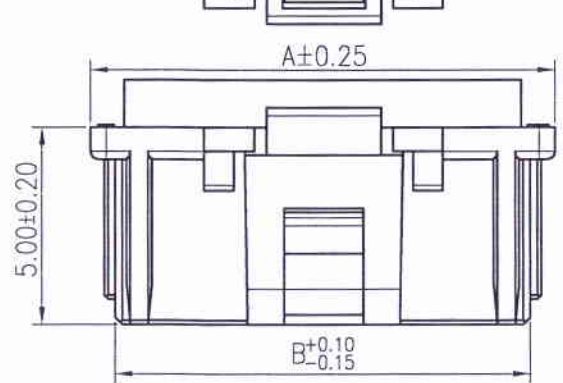
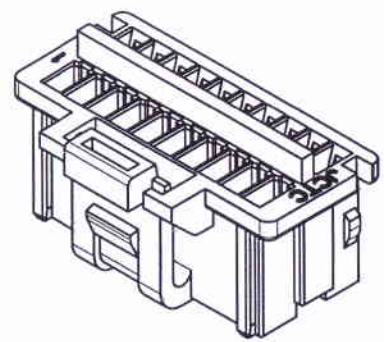


SPECIFICATIONS
 Current Rating: 1A AC,DC
 Voltage Rating: 50V AC,DC
 Withstanding Voltage: 250V AC/minute
 Contact Resistance: 20mΩ Max.
 Insulation Resistance: 100MΩ Min.
 Temperature Range: -25°C ~ +85°C
 The product using material and processing must conform to the WI-PZ-142"HSF technical standard control requirements



11007H00-2xNPX-L1-HF
 ① ② ③ ④ ⑤ ⑥

- ① Series No.
- ② H90 : Side Contact
H00 : Up Contact
- ③ No. of Circuits
- ④ X : Product color(A--Y)
Blank : Natural type
- ⑤ L1 : With Lock
- ⑥ HF : Halogen Free



Circuit No.	Dimensions		
	A	B	C
2x25P	26.70	25.45	24.00

Suitable for JCTC 11007 series terminal

Part No.	Material	Color
11007H00-2xNP-L1-HF	PA66,UL94V-0	Natural(White)

REV.	REVISION RECORD	DATE	GENERAL TOLERANCES	SCALE:	NAME	DATE	PART NO: 11007H00-2xNPX-L1-XX
A0	新版发行	19.08.28	LINEAR 0.0±0.25	1:1	APPROVED	19.08.28	
			ANGLES 0.00±0.15		DESIGNER		REV: A0
			UNIT: MM 0.000±0.08		DRAWN	19.08.28	SHEET: 1/1

JCTC® 胜蓝科技股份有限公司
 TERMINAL&CONNECTORS 东莞市富智达电子科技有限公司
 TITLE: Molex 501189 Housing
 凸筋加长型/大凸台/中隔加筋