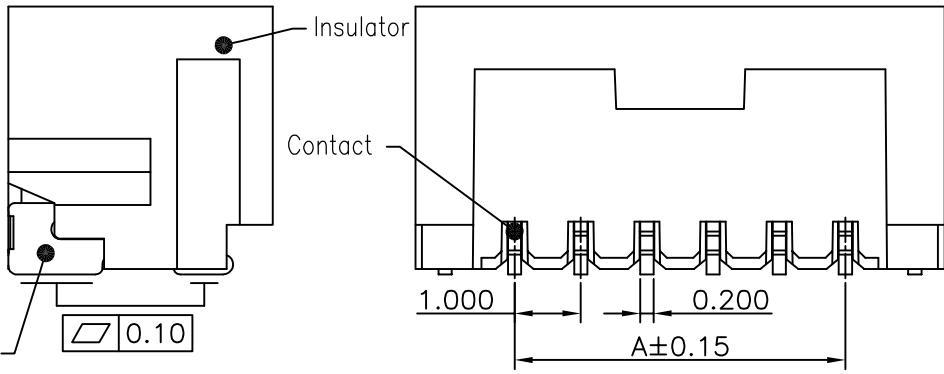
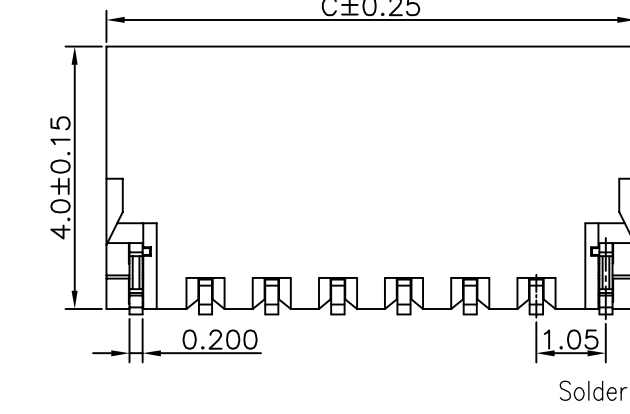


Specifications:  
 Rated Voltage : 150V AC/DC  
 Rated Current : 1A AC,DC  
 Withstand Voltage : 500V AC/minute  
 Contact Resistance : 20mΩ(MAX.)  
 Insulation Resistance : 100MΩ(MIN.)  
 Temperature Range : -25°C~+85°C  
 The product using material and processing must conform to the "WI-PZ-142"HSF technical standard control requirements

GENERAL TOLERANCES:±0.05mm



Circuits Part No	Dimensions		
	A	B	C
2P	--	2.50	4.00
3P	2.00	3.50	5.00
4P	3.00	4.50	6.00
5P	4.00	5.50	7.00
6P	5.00	6.50	8.00
7P	6.00	7.50	9.00
8P	7.00	8.50	10.00
9P	8.00	9.50	11.00
10P	9.00	10.50	12.00
11P	10.00	11.50	13.00
12P	11.00	12.50	14.00
13P	12.00	13.50	15.00
14P	13.00	14.50	16.00
15P	14.00	15.50	17.00

11008W00-NP-S-L1-HF-NK-R1

① ② ③ ④ ⑤ ⑥ ⑦ ⑧

- ① Series No.
- ② W90 : Side Contact  
W00 : Up Contact
- ③ No. of Circuits
- ④ S : SMT TYPE
- ⑤ L1: Lock TYPE
- ⑥ HF : Halogen Free
- ⑦ NK : No Mark
- ⑧ R1: Tape & Reel (With Mylar)



Part No.	Insulator	Contact	Solder Tabs
11008W00-NP-S-L1-HF-NK-R1	PA6T,UL94V-0/Natural(Beige)	Phosphor Bronze/Matte-Tin	Brass/Matte-Tin

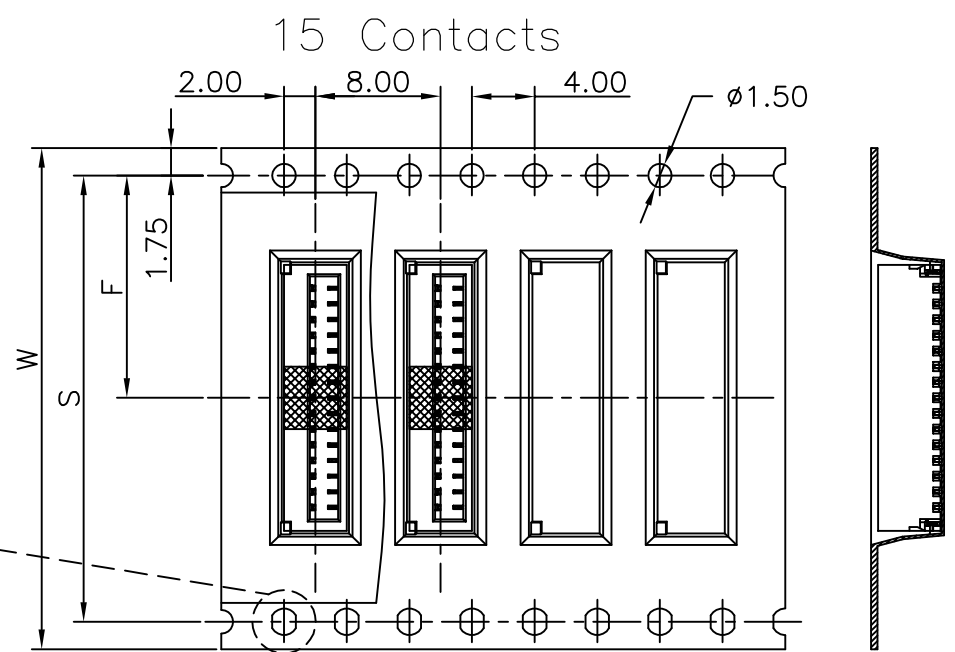
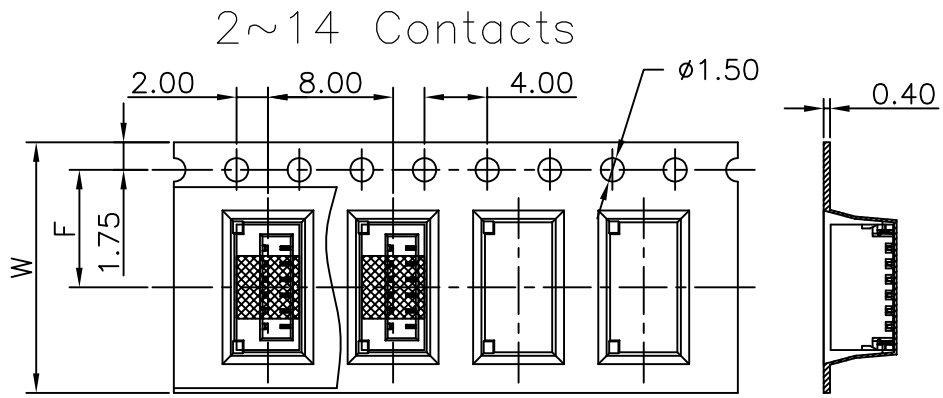
REV.	REVISION RECORD	DATE	
A0	新图面发行	17. 11. 28	
A1	依HN1811230213设变	18. 11. 23	
			UNIT: MM
			SIZE: A4

GENERAL TOLERANCES		SCALE:	NAME	DATE
LINEAR	ANGLES	1:1		
0.0±0.25	X° REF±6°	APPROVED		
0.00±0.15	X° ±3°	DESIGNER		
0.000±0.08	X° X'±2°	DRAWN	罗春成	18. 11. 23

**JCTC**® 胜蓝科技股份有限公司  
 TERMINAL&CONNECTORS 东莞市富智达电子科技有限公司

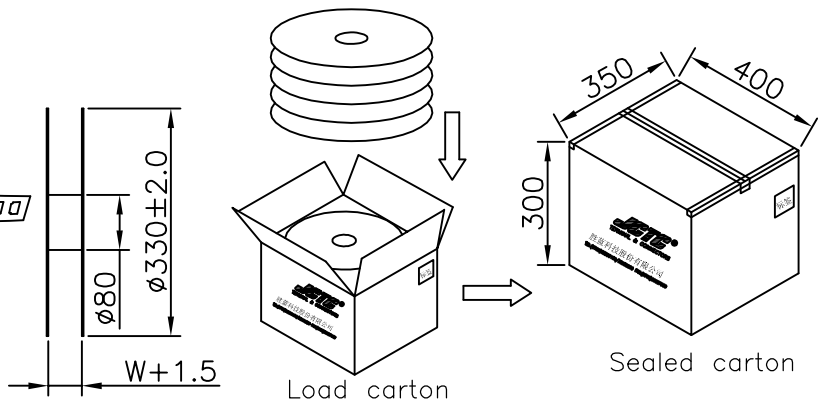
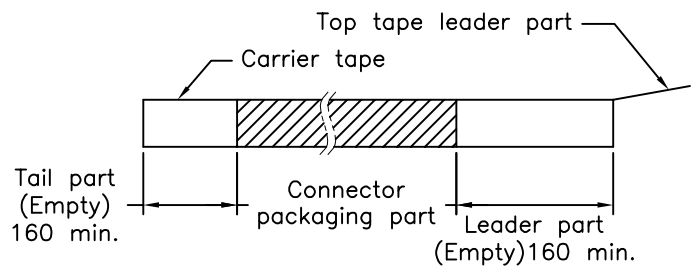
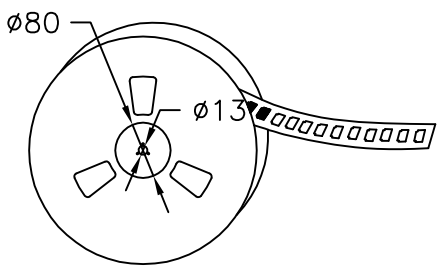
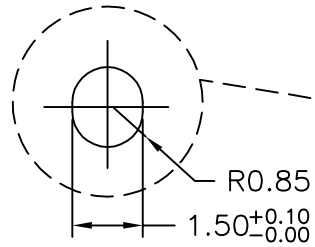
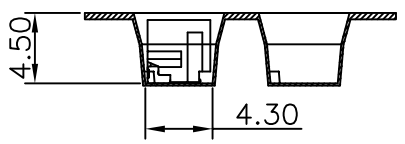
TITLE: 1.00mm PITCH 180° SMT WAFER

PART. NO:	
11008W00-NP-S-L1-XX-NK-R1	
DWG. NO:	
ENDE05	
REV: A1	SHEET: 1/2



Unreeling direction →

Unreeling direction →



Number of Contacts	W±0.3	F±0.1	S±0.1	Q'ty/Reel	Q'ty/Box
2~6P	16.00	7.50	/	1,500	22,500
7~14P	24.00	11.50		1,500	15,000
15P	32.00	14.20	28.40	1,500	12,000

REV.	REVISION RECORD		DATE	UNIT: MM	GENERAL TOLERANCES		SCALE: 1:1	NAME	DATE
	新版图面发行				17.11.28	LINEAR			
A0					0.0 ± 0.25	X° REF ± 6°	APPROVED		
					0.00 ± 0.15	X° ± 3°	DESIGNER		
					SIZE: A4	0.000 ± 0.08	X° X' ± 2°	DRAWN	伍文聰 17.11.28

**JCTC**® 胜蓝科技股份有限公司  
 TERMINAL&CONNECTORS 东莞市富智达电子科技有限公司

TITLE: 1.00mm PITCH 180° SMT WAFER

PART. NO: 11008W00-NP-S-L1-XX-NK-R1  
 DWG. NO: ENDE05  
 REV: A0 SHEET: 2/2