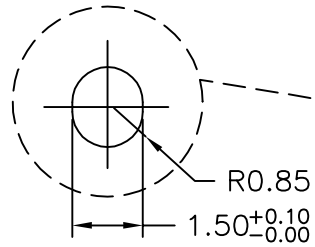
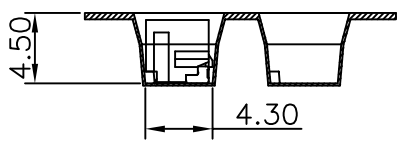
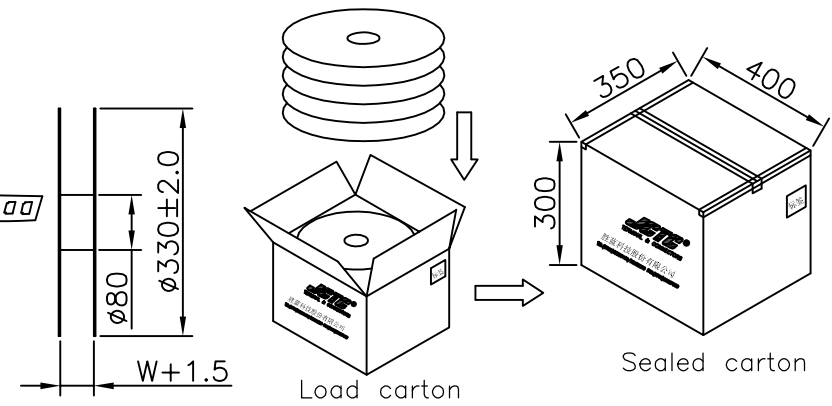
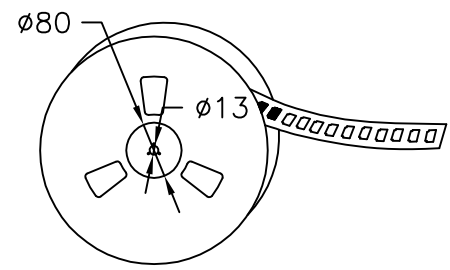
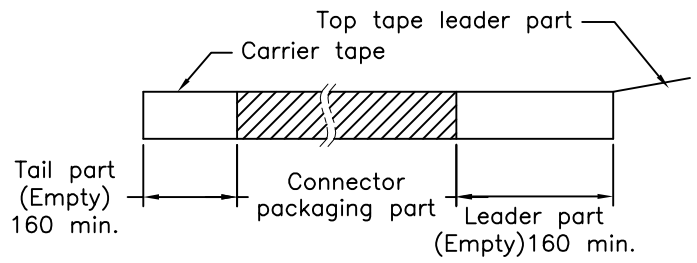


Unreeling direction →



Unreeling direction →



Number of Contacts	W±0.3	F±0.1	S±0.1	Pcs/Reel	Pcs/Box
2~6P	16.00	7.50		1,500	22,500
7~14P	24.00	11.50		1,500	15,000
15P	32.00	14.20	28.40	1,500	12,000

REV.	REVISION RECORD		DATE	UNIT: MM	GENERAL TOLERANCES		SCALE: 1:1	NAME	DATE
	新版图面发行				18.03.05	LINEAR			
A0					0.0 ± 0.25	X° REF ± 6°	APPROVED		
					0.00 ± 0.15	X° ± 3°	DESIGNER		
					SIZE: A4	0.000 ± 0.08	X° X' ± 2°	DRAWN	伍文聰 18.03.05

JCTC® 胜蓝科技股份有限公司
 TERMINAL&CONNECTORS 东莞市富智达电子科技有限公司

TITLE: 1.00mm PITCH 180° SMT WAFER

PART. NO: 11008W00-NP-S-L2-XX-NK-R
 DWG. NO: ENDE05
 REV: A0 SHEET: 2/2