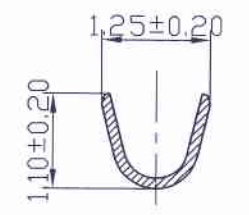
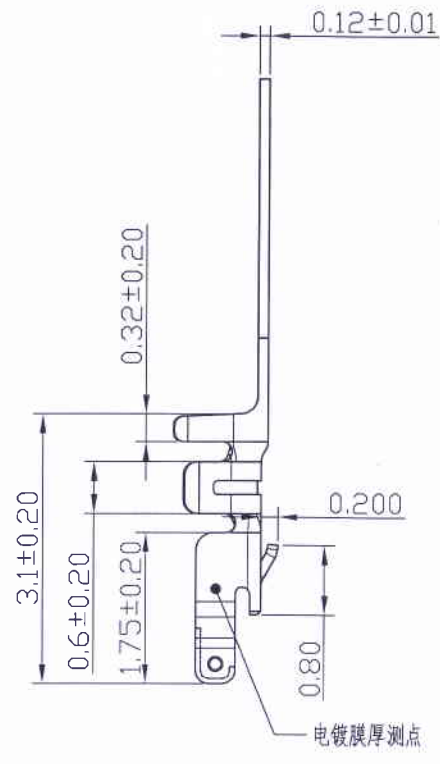
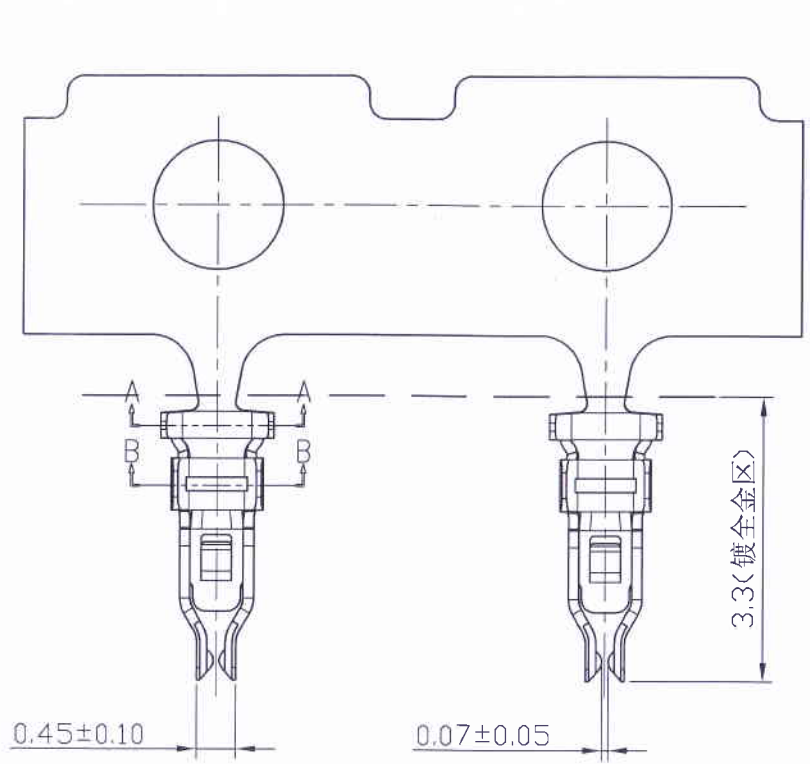
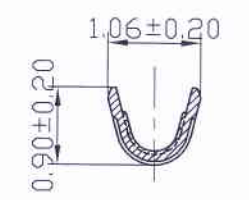


1 2 3 4 5 6 7 8

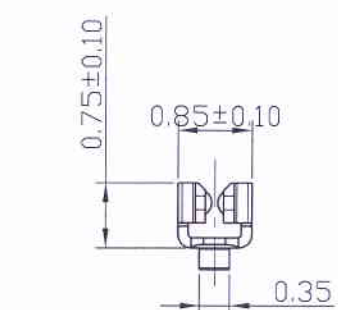
A
B
C
D
E
F
G
H



SECTION A-A



SECTION B-B



Note: 11202TOP-XX-NK

- Finish _____ No Mark
- 5A--Gold-flash 5B--2u" 5C--3u" 5D--4u" 5E--5u"
- 5F--10u" 5G--15u" 5H--30u" 5I--50u"



The product using material and processing must conform to the "WI-PZ-142" HSF technical standard control requirements

Part No	Wire Range	Insulation O.D.	Material	Finish
11202TOP-5A-NK	AWG #28 #30	0.50~0.70mm	Phosphor Bronze	Gold-flash

REV.	REVISION RECORD	DATE	GENERAL TOLERANCES	SCALE:	NAME	DATE	PART. NO.:	DWG. NO.:	 TERMINAL&CONNECTORS
C1	HN1404140043	14. 04. 14	LINEAR	1:1			11202TOP-XX-NK	ENDE05	
C2	TN1405040059	14. 04. 30	0.0±0.25	APPROVED	<i>[Signature]</i>	20.09.30			
C3	TN1510290169	16. 03. 17	0.00±0.15	DESIGNER	<i>[Signature]</i>	20.09.30	TITLE:		
C4	TN2009300277	20. 09. 30	0.000±0.08	DRAWN	陈佳龙	20. 09. 30	1.20mm pitch W-T-B Terminal		

REV: C4 SHEET: 1/1

1 2 3 4 5 6 7 8