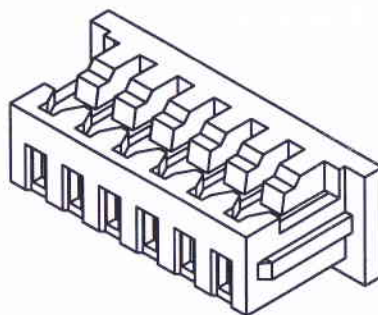
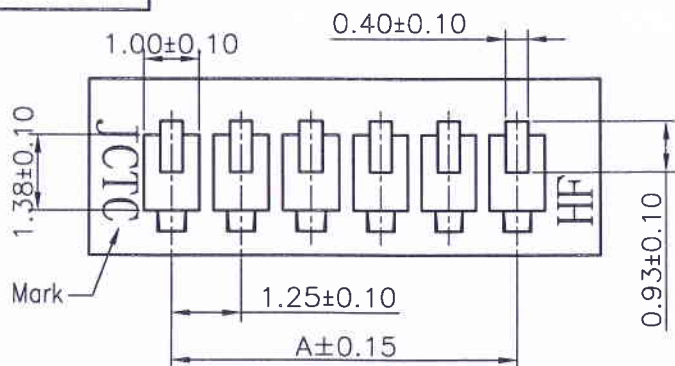
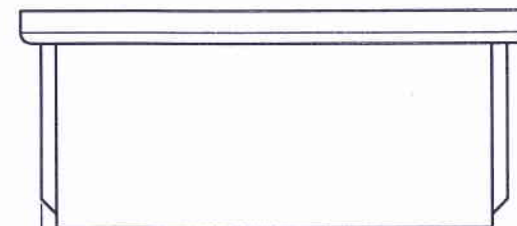
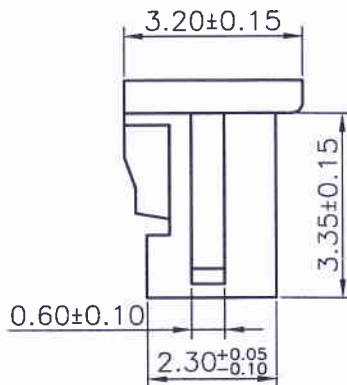
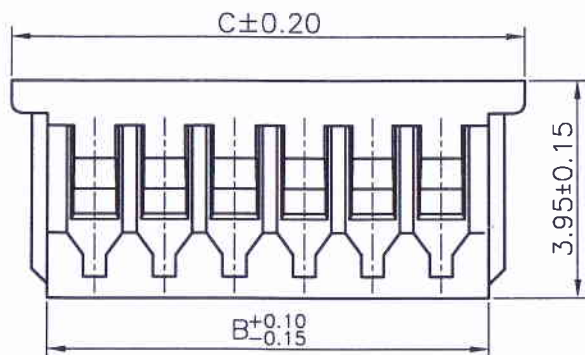


RoHS



Specifications:
 Rated Voltage : 125V AC/DC
 Rated Current : 1A AC,DC
 Withstand Voltage : 250V AC/minute
 Contact Resistance : 20mΩ(MAX.)
 Insulation Resistance : 100MΩ(MIN.)
 Temperature Range : -40°C~+85°C



11251H00-NPX-B-HF
 ① ② ③④⑤⑥

- ① Series No.
- ② H90 : Side Contact
H00 : Up Contact
- ③ No. of Circuits
- ④ A: Product color (A--Y)
Blank : Natural type
- ⑤ B: Without Lock
- ⑥ HF: Halogen Free



Dimensional Ordering Information:			
Part No	Dimensions		
	A	B	C
4P	3.75	5.50	6.75
6P	6.25	8.00	9.25
8P	8.75	10.50	11.75
12P	13.75	15.50	16.75

Suitable for JCTC 11251 series terminal

Part No.	Material	Color
11251H00-NP-B	Nylon 66,UL94V-0	Natural(White)
11251H00-NP-B-HF	Nylon 66,UL94V-0	Natural(White)
11251H00-NPA-B-HF	Nylon 66,UL94V-0	Natural(White)

REV.	REVISION RECORD	DATE
C1	新增4P、12P规格	11.06.02
C2	新增8P无卤规格	11.08.09
C3	HN1408260154	14.08.26
C4	更换公司名称	16.12.26

GENERAL TOLERANCES		SCALE:	NAME	DATE
LINEAR	ANGLES	1:1		
0.0±0.25	X° REF±6°	APPROVED:		
0.00±0.15	X° ±3°	DESIGNER:		
0.000±0.08	X° X'±2°	DRAWN:		

JCTC® 胜蓝科技股份有限公司
 TERMINAL&CONNECTORS 东莞市富智达电子科技有限公司
 TITLE: MX 1.25mm PITCH HOUSING

PART NO:	11251H00-NP-B-XX
DWG. NO:	ENDE05
REV:	C4
SHEET:	1/1