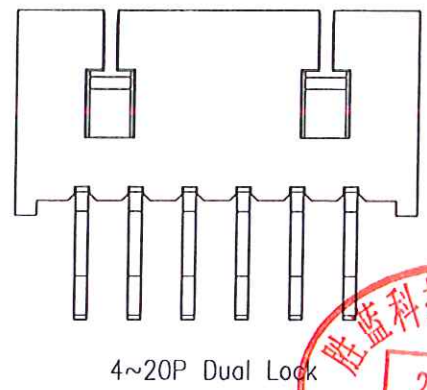
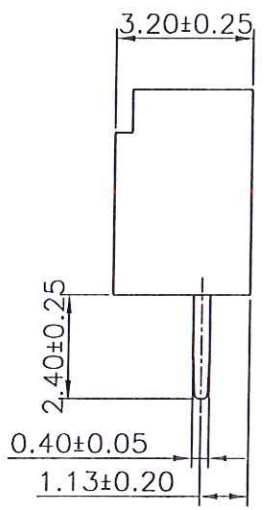
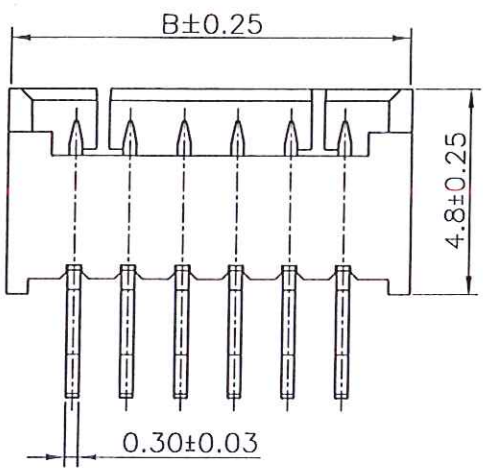
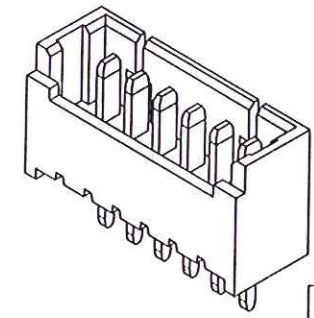
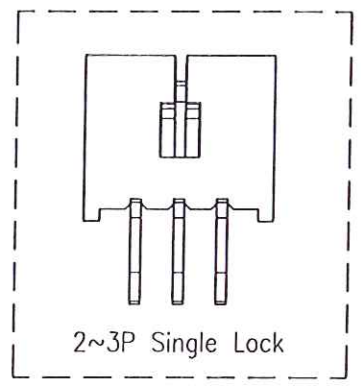
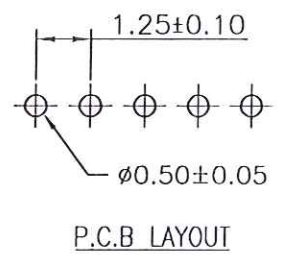
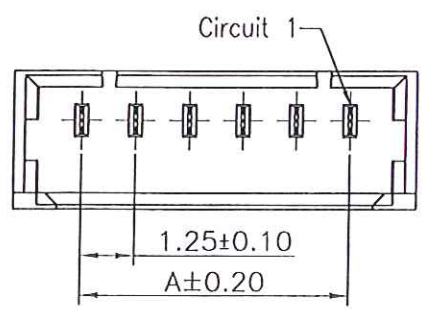


1 2 3 4 5 6 7 8

A
B
C
D
E
F
G

A
B
C
D
E
F
G



11251W00-NPX-XX-HF
 ① ② ③④ ⑤ ⑥
 ① Series No.
 ② W90: Side Contact
 W00: Up/Contact
 ③ No. of Circuits
 ④ X: Product color(A--Y)
 Blank: Natural type
 ⑤ 3E: Matter Tin-plated
 5G: Gold-plated 15u"
 ⑥ HF: Halogen Free

Dimensional Ordering Information:

| Circuits Part No | Dimensions | |
|------------------|------------|-------|
| | A | B |
| 2P | 4.35 | |
| 3P | 2.50 | 5.60 |
| 4P | 3.75 | 6.85 |
| 5P | 5.00 | 8.10 |
| 6P | 6.25 | 9.35 |
| 7P | 7.50 | 10.60 |
| 8P | 8.75 | 11.85 |
| 9P | 10.00 | 13.10 |
| 10P | 11.25 | 14.35 |
| 11P | 12.50 | 15.60 |
| 12P | 13.75 | 16.85 |
| 13P | 15.00 | 18.10 |
| 14P | 16.25 | 19.35 |
| 15P | 17.50 | 20.60 |
| 20P | 23.75 | 26.85 |

Specifications:
 Rated Voltage : 125V AC/DC
 Rated Current : 1A AC,DC
 Withstand Voltage : 250V AC/minute
 Contact Resistance : 20mΩ(MAX.)
 Insulation Resistance : 100MΩ(MIN.)
 Temperature Range : -40°C~+85°C
 The product using material and processing must conform to the "WI-PZ-142"HSF technical standard control requirements

| Part No. | Material | Color | Pin Material |
|--------------------|----------------------------------|----------------|-----------------------------------|
| 11251W00-NP | High temperature plastic,UL94V-0 | Natural(Beige) | Phosphor Bronze/Tin-plated |
| 11251W00-NPE | High temperature plastic,UL94V-0 | Yellow | Phosphor Bronze/Tin-plated |
| 11251W00-NP-HF | High temperature plastic,UL94V-0 | Natural(Beige) | Phosphor Bronze/Tin-plated |
| 11251W00-NP-3E-HF | High temperature plastic,UL94V-0 | Natural(Beige) | Phosphor Bronze/Matter Tin-plated |
| 11251W00-NP-5G-HF | High temperature plastic,UL94V-0 | Natural(Beige) | Phosphor Bronze/Gold-plated 15u" |
| 11251W00-NPA-5G-HF | High temperature plastic,UL94V-0 | Black | Phosphor Bronze/Gold-plated 15u" |

| REV. | REVISION RECORD | DATE | GENERAL TOLERANCES | SCALE: | NAME | DATE | PART. NO.: | DWG. NO.: | JCTC® TERMINAL&CONNECTORS | |
|------|-----------------|------------|--------------------|-----------|----------|------|-----------------|-----------|----------------------------------|------------|
| C1 | ECN 1012220173 | 10. 12. 22 | LINEAR | 1:1 | | | 11251W00-NPX-XX | ENDE05 | | |
| C2 | ECN 1110140139 | 11. 10. 18 | ANGLES | APPROVED | | | | | | |
| C3 | 变更公司名称 | 16. 12. 28 | 0.0±0.25 | X° REF±6° | DESIGNER | | | | | |
| C4 | WN2011120327 | 20. 10. 28 | 0.00±0.15 | X° ±3° | DRAWN | | | | | |
| | | | 0.000±0.08 | X° X'±2° | | | TITLE: | | REV: C4 | SHEET: 1/1 |

1 2 3 4 5 6 7 8