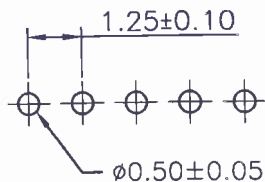
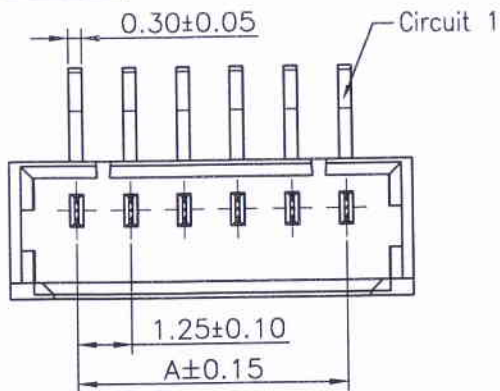
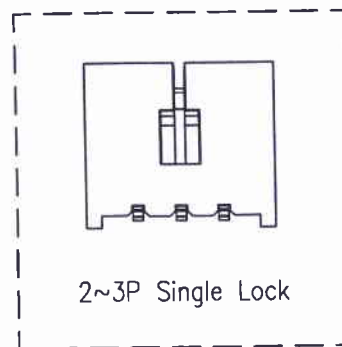


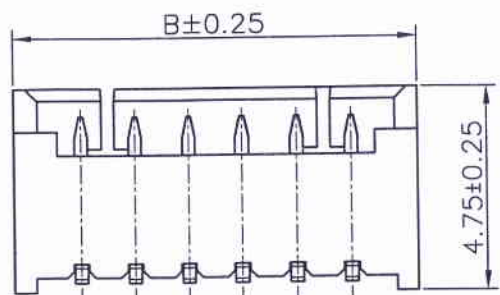
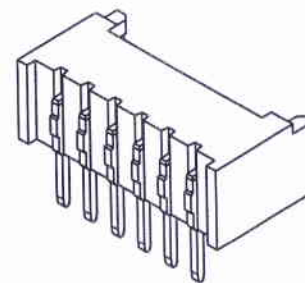
RoHS



P.C.B LAYOUT



2~3P Single Lock



4~20P Dual Lock

Dimensional Ordering Information:

Circuits Part No	Dimensions	
	A	B
2P	4.35	4.35
3P	2.50	5.60
4P	3.75	6.85
5P	5.00	8.10
6P	6.25	9.35
7P	7.50	10.60
8P	8.75	11.85
9P	10.00	13.10
10P	11.25	14.35
11P	12.50	15.60
12P	13.75	16.85
13P	15.00	18.10
14P	16.25	19.35
15P	17.50	20.60
20P	23.75	26.85

Specifications:

Rated Voltage : 125V AC/DC  
 Rated Current : 1A AC,DC  
 Withstand Voltage : 250V AC/minute  
 Contact Resistance : 20mΩ(MAX.)  
 Insulation Resistance : 100MΩ(MIN.)  
 Temperature Range : -40°C~+85°C

11251W90-NPX-3E

- ① Series No.
- ② W90 : Side Contact  
W00 : Up Contact
- ③ No. of Circuits
- ④ X : Product color(A--Y)  
Blank : Natural type
- ⑤ 3E : Matte Tin Plated



Part No.	Material	Color	Pin Material
11251W90-NP	High temperature plastic,UL94V-0	Natural(Beige)	Phosphor Bronze/Tin-plated
11251W90-NPF	High temperature plastic,UL94V-0	Yellow	Phosphor Bronze/Tin-plated
11251W90-NP-3E	High temperature plastic,UL94V-0	Natural(Beige)	Phosphor Bronze/Matte Tin-plated
11251W90-NP-HF	High temperature plastic,UL94V-0	Natural(Beige)	Phosphor Bronze/Tin-plated

REV.	REVISION RECORD	DATE	GENERAL TOLERANCES	SCALE:	NAME	DATE	JCTC® 胜蓝科技股份有限公司 TERMINAL&CONNECTORS 东莞市富智达电子科技有限公司	PART.NO: 11251W90-NPX-XX
C2	ECN 1110140139	11. 10. 18	LINEAR	1:1				
C3	WN1307040100	13. 07. 04	ANGLES				REV: C5	
C4	WN1412170210	14. 12. 17	0.0±0.25				SHEET: 1/1	
C5	变更公司名称	16. 12. 28	0.00±0.15					
			0.00±0.08					

TITLE: Molex 1.25mm PITCH DIP WAFER