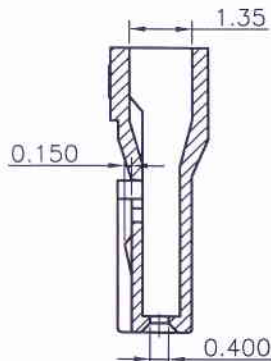
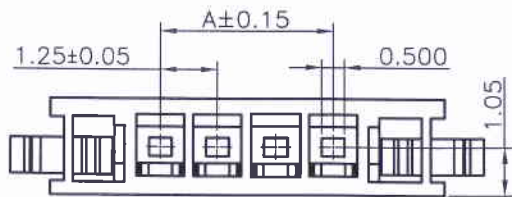


RoHS

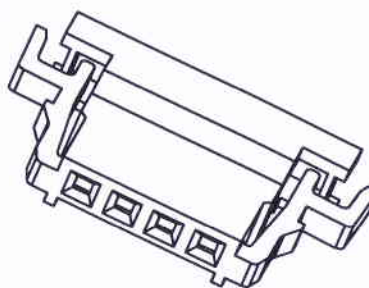
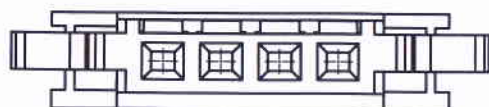
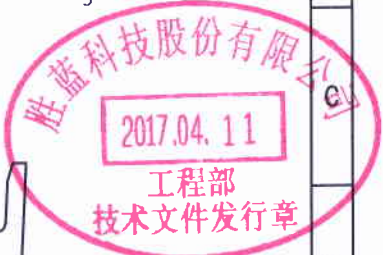
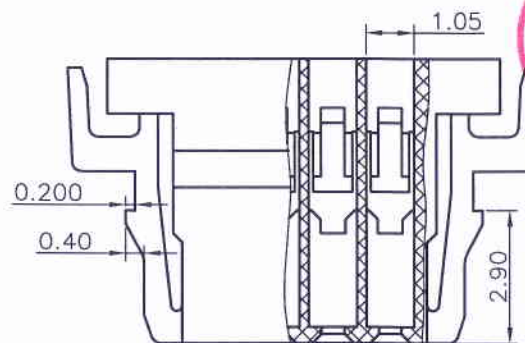
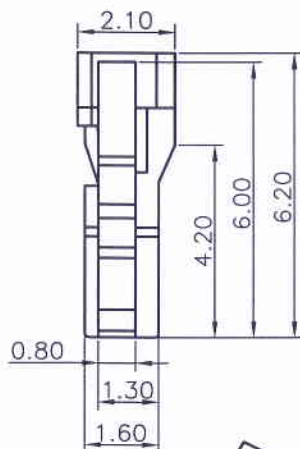
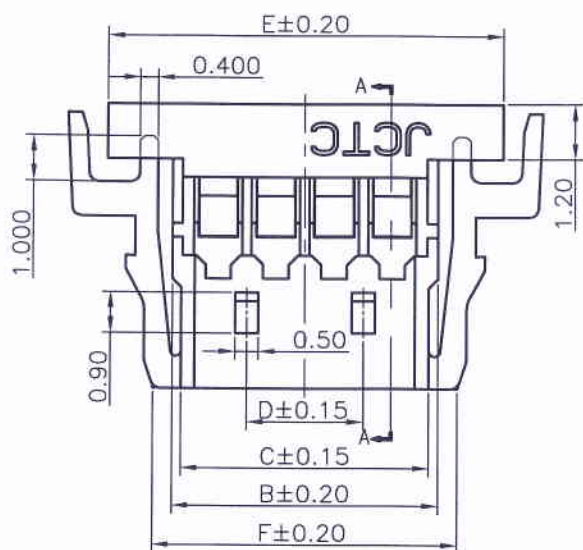


Specifications:  
 Rated Voltage : 125V AC/DC  
 Rated Current : 1A AC,DC  
 Withstand Voltage : 250V AC/minute  
 Contact Resistance : 20mΩ(MAX.)  
 Insulation Resistance : 100MΩ(MIN.)  
 Temperature Range : -25°C~+85°C

11255H00-NP-L-HF

① ② ③ ④ ⑤

- ① Series No.
- ② H90 : Side Contact  
H00 : Up Contact
- ③ No. of Circuits
- ④ L : With Lock
- ⑤ HF : Halogen Free



Dimensional Ordering Information:						
Circuits Part No	Dimensions					
	A	B	C	D	E	F
4P	3.75	5.75	5.35	2.50	8.60	6.60
6P	6.25	8.25	7.85	5.00	11.10	9.10
14P	16.25	18.25	17.85	15.00	21.10	19.10

Suitable for JCTC 11255 series terminal

Part No.	Material	Color
11255H00-NP-L-HF	Nylon 66,UL 94V-0	本色无卤

REV.	REVISION RECORD	DATE	GENERAL TOLERANCES	SCALE:	NAME	DATE	JCTC®	PART NO.:
A0	新图面发行	15.03.30	LINEAR	1:1			胜蓝科技股份有限公司	11255H00-NPX-L-HF
A1	新增PIN位	16.06.24	ANGLES	APPROVED			东莞市富智达电子科技有限公司	DWG. NO.:
A2	变更公司名称	17.03.14	0.0±0.25 X° REF±6°	DESIGNER				ENDE05
			0.00±0.15 X° ±3°	DRAWN	邓群庄	17.03.14		REV: A2 SHEET: 1/1
			SIZE: A4 0.000±0.08 X° X'±2°					



TITLE: 1.25mm PITCH HOUSING - Lock TYPE