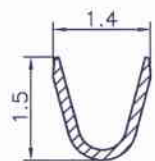
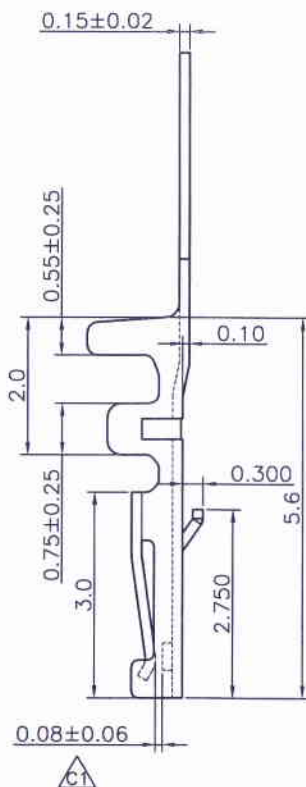
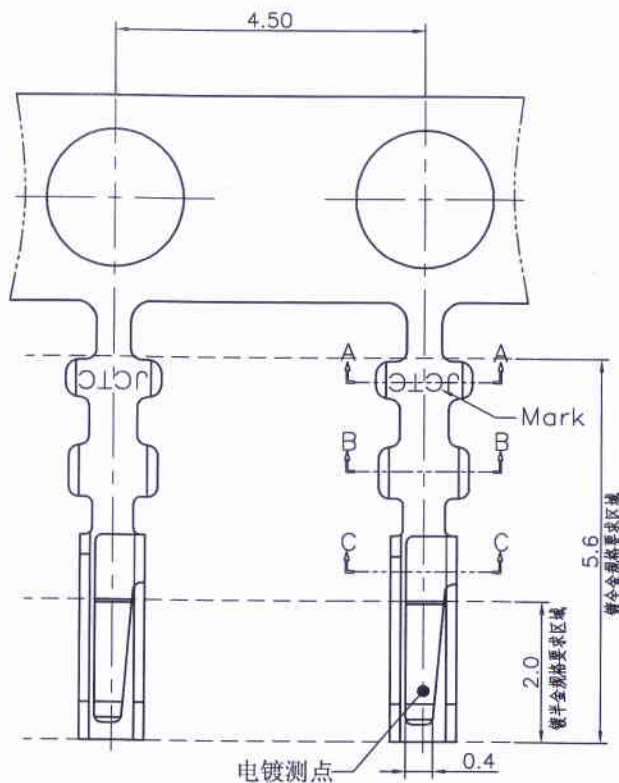
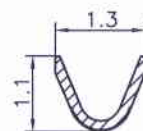


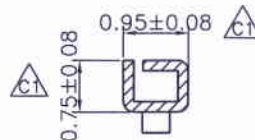
RoHS



SECTION A-A



SECTION B-B



SECTION C-C

Note: 11255TOP-XX-XX

空 Mark
NK: NO Mark

Finish

- | | | |
|----------------|----------|----------|
| 5A--Gold-flash | 5B--2u" | 5C--3u" |
| 5D--4u" | 5E--5u" | 5F--10u" |
| 5G--15u" | 5H--30u" | 5I--50u" |
| 0A--Gold-flash | 0B--2u" | 0C--3u" |
| 0D--4u" | 0E--5u" | 0F--10u" |
| 0G--15u" | 0H--30u" | 0I--50u" |
| 2E--Tin-plated | | |



Part No	Wire Range	Insulation O.D.	Material	Finish	Qty/reel
11255TOP-2E-XX	AWG#28 ~ #32	1.00mm(max)	Phosphor Bronze	Tin-plated	20,000 pcs
11255TOP-5X-XX	AWG#28 ~ #32	1.00mm(max)	Phosphor Bronze	Gold-plated overall	20,000 pcs
11255TOP-0X-XX	AWG#28 ~ #32	1.00mm(max)	Phosphor Bronze	Gold-plated contact area	20,000 pcs

REV.	REVISION RECORD	DATE	GENERAL TOLERANCES	SCALE:	NAME	DATE
C2	TR1105310082	11.05.31	0.0±0.25	X° REF±6°	APPROVED	17.01.30
C3	整理图面	15.06.17	0.00±0.15	X° ±3°	DESIGNER	17.01.30
C4	TN1604070040	16.04.07	0.00±0.08	X° X'±2°	DRAWN	17.01.03
C5	变更公司名称	17.01.03				

JCTC ® 胜蓝科技股份有限公司 TERMINAL&CONNECTORS 东莞市富智达电子科技有限公司	PART. NO:	11255TOP-XX-XX
	DWG. NO:	ENDE05
	TITLE:	MOLEX51146端子
REV: C5	SHEET: 1/1	