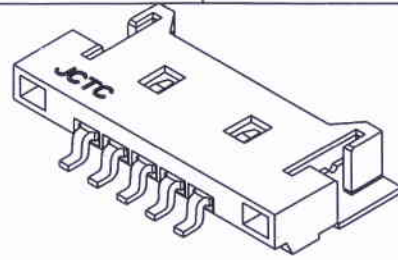
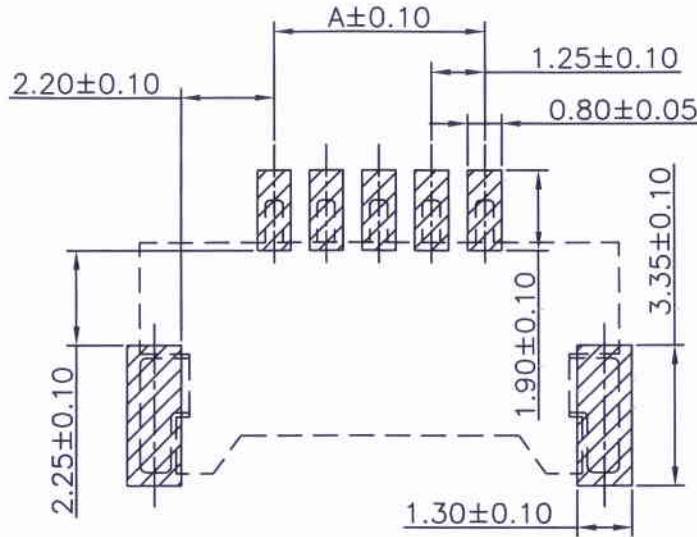
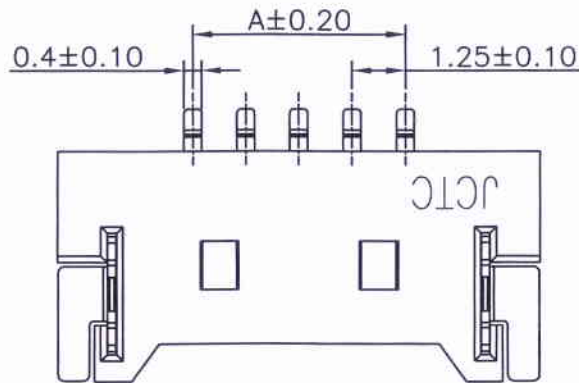
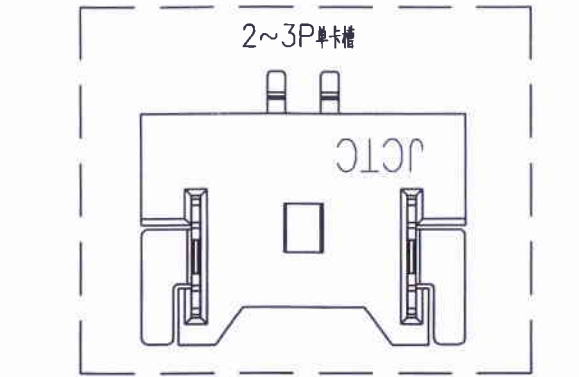


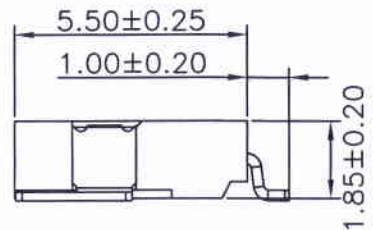
11255W90 SERIES



SPECIFICATIONS
 Current Rating: 1A AC,DC
 Voltage Rating: 125V AC,DC
 Temperature Range: -25°C ~ +85°C
 Contact Resistance: 20mΩ Max.
 Insulation Resistance: 100MΩ Min.
 Withstanding Voltage: 500V AC/minute
 Contact: Phosphor Bronze/Matte Tin-plated
 Solder Tabs: Brass/Matte Tin-plated
 Insulator: Thermal Plasticity Resin, UL 94V-0
 Halogen Free
 Color: Natural(Beige)



P.C.B. LAYOUT



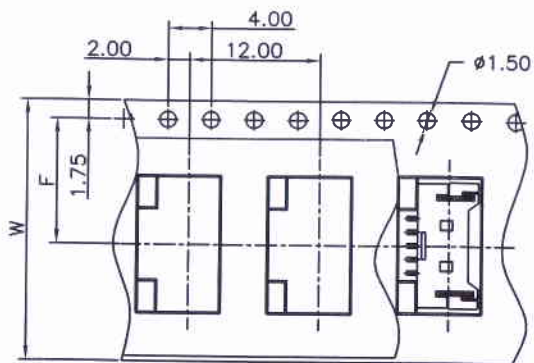
Circuits	Dimensions	
	A	B
2P	--	7.65
3P	2.50	8.90
4P	3.75	10.15
5P	5.00	11.40
6P	6.25	12.65
7P	7.50	13.90
8P	8.75	15.15
9P	10.00	16.40
10P	11.25	17.65
11P	12.50	18.90
12P	13.75	20.15
14P	16.25	22.65
15P	17.50	23.90
16P	18.75	25.15
20P	23.75	30.15
30P	36.25	42.65



REV.	REVISION RECORD	DATE	UNIT: MM	GENERAL TOLERANCES		SCALE: 1:1	NAME	DATE	JCTC® 胜蓝科技股份有限公司 TERMINAL&CONNECTORS 东莞市富智达电子科技有限公司	PART NO:	
				LINEAR	ANGLES					11255W90-NP-S-HF	
A0	新图面发行	16.04.27	SIZE: A4	0.00±0.15	X° REF±6°	APPROVED	邓群庄	17.03.30	TITLE: 1.25mm PITCH 90° SMT TYPE WAFER	DWG. NO: ENDE05	
A1	更换公司名称	17.03.30		0.00±0.08	X° X'±2°	DESIGNER				REV: A1	SHEET: 1/2

11255W90 SERIES

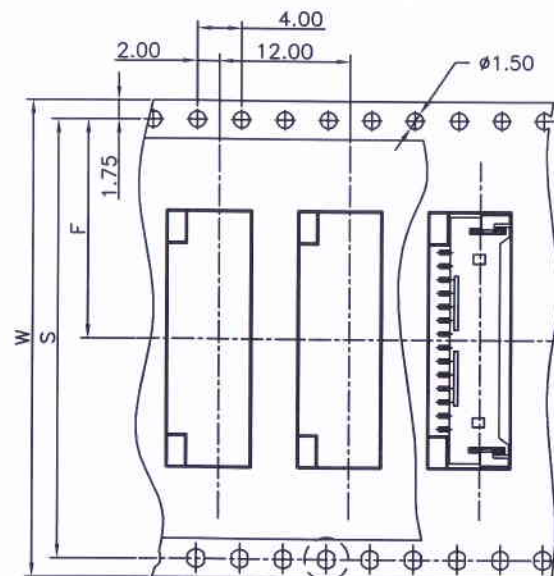
2~8 Contacts



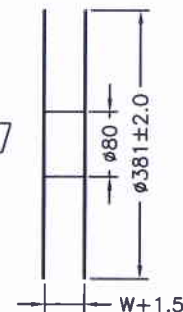
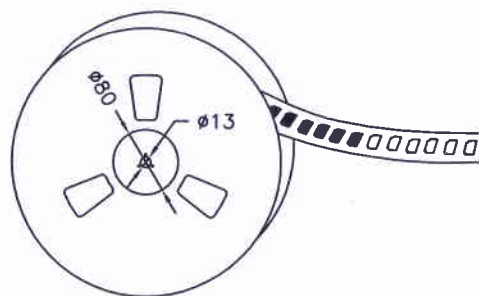
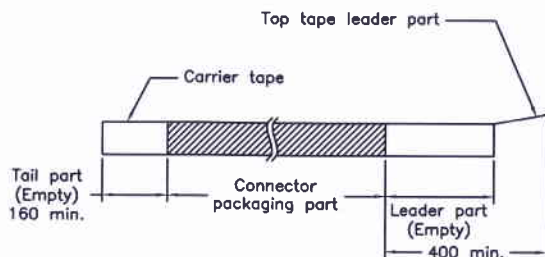
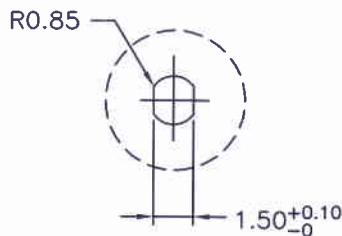
Unreeling direction →



9~30 Contacts



Unreeling direction →



Number of Contacts	W±0.3	F±0.1	S±0.1	Q'ty/Reel
2P	16	7.50	--	2,000
3~8P	24	11.50	--	2,000
9~12P	32	14.20	28.40	2,000
13~20P	44	20.20	40.40	2,000
30P	56	26.20	52.40	2,000

REV.	REVISION RECORD	DATE
A0	新图面发行	16.04.27
A1	更换公司名称	17.03.30

GENERAL TOLERANCES		SCALE:	NAME	DATE
LINEAR	ANGLES	1:1		
0.0 ± 0.25	X° REF ± 6°	APPROVED	<i>[Signature]</i>	17.03.30
0.00 ± 0.15	X° ± 3°	DESIGNER	<i>[Signature]</i>	
0.000 ± 0.08	X° X' ± 2°	DRAWN	邓群庄	17.03.30

JCTC 胜蓝科技股份有限公司	PART. NO:
TERMINAL&CONNECTORS 东莞市富智达电子科技有限公司	11255W90-NP-S-HF
TITLE:	DWG. NO:
1.25mm PITCH 90° SMT TYPE WAFER	ENDE05
	REV: A1 SHEET: 2/2