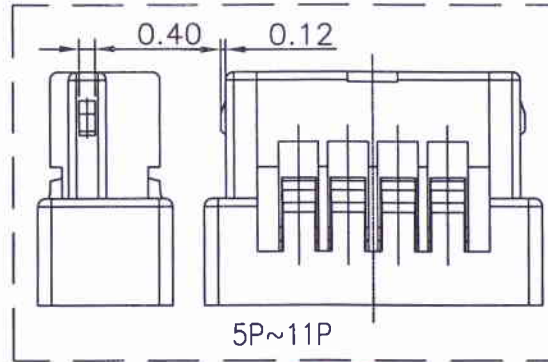
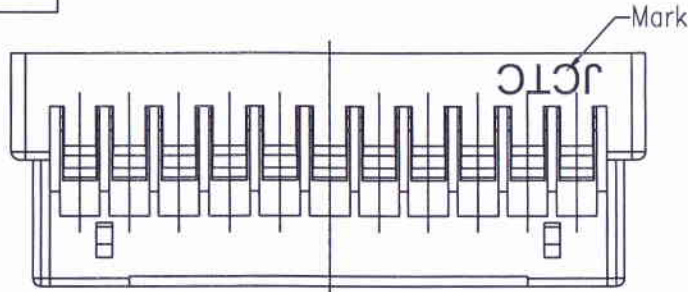
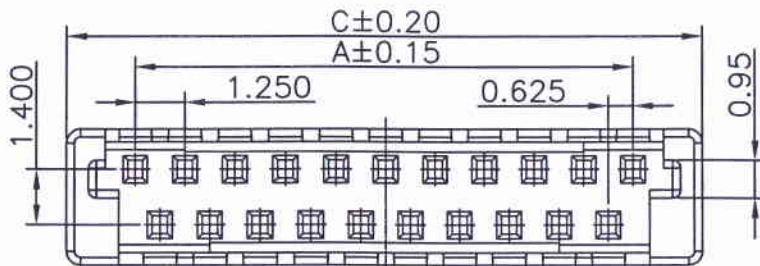


RoHS



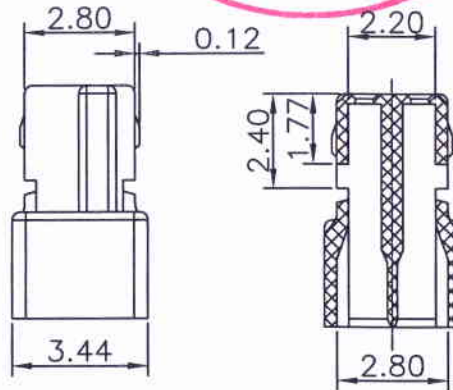
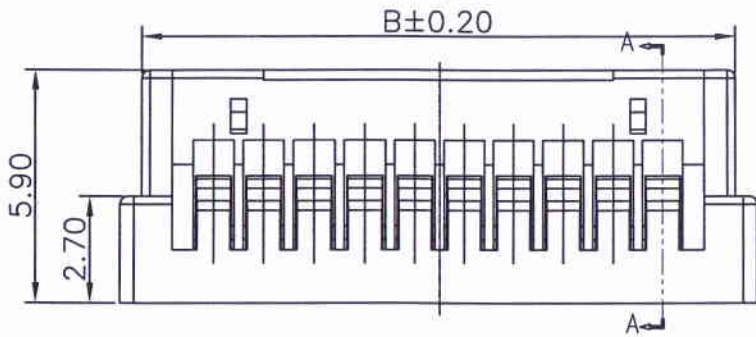
Specifications:  
 Rated Voltage : 100V AC/DC  
 Rated Current : 1A AC,DC  
 Withstand Voltage : 500V AC/minute  
 Contact Resistance : 20mΩ(MAX.)  
 Insulation Resistance : 500MΩ(MIN.)  
 Temperature Range : -25℃~+85℃  
 Pitch Between Poles : 1.25mm



11256H00-NPA-2-HF

① ② ③④⑤ ⑥

- ① Series No.
- ② H90 : Side Contact  
H00 : Up Contact
- ③ No. of Circuits
- ④ A : Product color (A--Y)  
Blank : Natural type
- ⑤ 2 : Mount type
- ⑥ HF : Halogen Free



SECTION A-A

Dimensional Ordering Information:

Circuits	Part No	Dimensions		
		A	B	C
31	31P	18.75	21.15	22.25
41	41P	25.00	27.40	28.50

Suitable for JCTC 11256 series terminal

Part No.	Material	Color
11256H00-NPA-2-HF	Nylon 66,UL 94V-0	黑色无齿
11256H00-NPA-2	Nylon 66,UL 94V-0	黑色

REV.	REVISION RECORD	DATE	GENERAL TOLERANCES	SCALE:	NAME	DATE	<b>JCTC</b> ® 胜蓝科技股份有限公司 TERMINAL&CONNECTORS 东莞市富智达电子科技有限公司	PART. NO.:
C0	新图面发行	09.11.25	LINER	1:1				11256H00-NPX-2-XX
C1	HN14070400105	14.07.04	0.0±0.25	APPROVED				DWG. NO.:
C2	变更公司名称	17.04.25	X° REF±6°	DESIGNER				ENDE05
			UNIT: MM	0.00±0.15	X° ±3°		TITLE:	REV: C2
			SIZE: A4	0.000±0.08	X° X'±2°		FI-W 1.25mm PITCH HOUSING	SHEET: 1/1