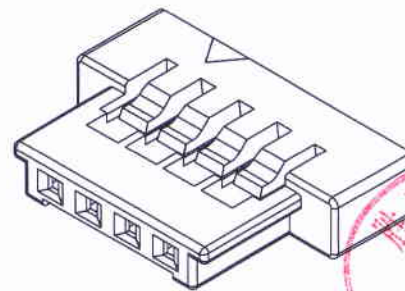
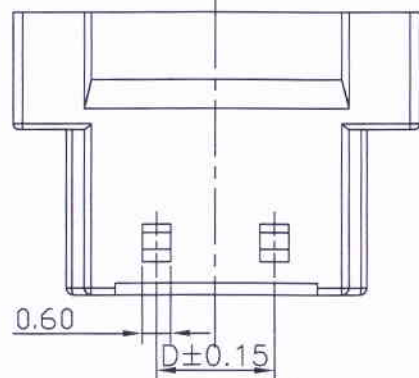
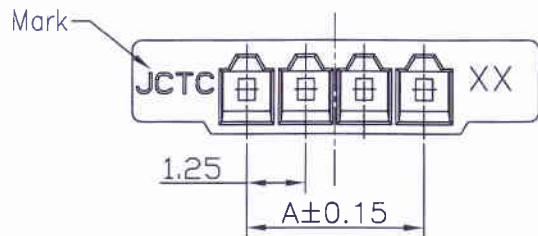


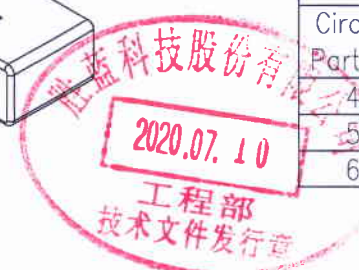
11256H00-NPA-A-HF-NK

① ② ③④⑤ ⑥ ⑦

- ① Series No.
- ② H90 : Side Contact
H00 : Up Contact
- ③ No. of Circuits
- ④ A : Product color(A--Y)
Blank : Natural type
- ⑤ A : Mount type
- ⑥ HF : Halogen Free
- ⑦ NK : No Mark



Dimensional Ordering Information:				
Circuits Part No	Dimensions			
	A	B	C	D
4P	3.75	8.50	6.30	2.50
5P	5.00	9.75	7.55	3.75
6P	6.25	11.00	8.80	5.00



Specifications:
 Rated Voltage : 100V AC/DC
 Rated Current : 1A AC,DC
 Withstand Voltage : 500V AC/minute
 Contact Resistance : 20mΩ(MAX.)
 Insulation Resistance : 500MΩ(MIN.)
 Temperature Range : -25°C~+85°C
 Pitch Between Poles : 1.25mm

Suitable for JCTC 11256 series terminal

Part No.	Material	Color
11256H00-NPA-A	Nylon 66,UL 94V-0	黑色
11256H00-NP-A-HF	Nylon 66,UL 94V-0	本色无齿
11256H00-NPA-A-HF	Nylon 66,UL 94V-0	黑色无齿
11256H00-NPA-A-HF-NK	Nylon 66,UL 94V-0	黑色无齿

REV.	REVISION RECORD	DATE	GENERAL TOLERANCES	SCALE:	NAME	DATE	PART. NO:	DWG. NO:
C6	HN1511030171	15. 11. 27	LINEAR	1:1			11256H00-NPA-A-XX-XX	ENDE05
D0	更换公司名称	17. 03. 30	0.0±0.25	ANGLES	APPROVED	20.07.01		
D1	更新图框	20. 06. 22	0.00±0.15	X° REF±6°	DESIGNER	20.07.01		
D2	HN2007060152	20. 07. 01	0.000±0.08	X° X'±2°	DRAWN	陈佳龙	FI-S 1.25mm PITCH HOUSING	

JCTC®
 TERMINAL&CONNECTORS
 REV: D2 SHEET: 1/1