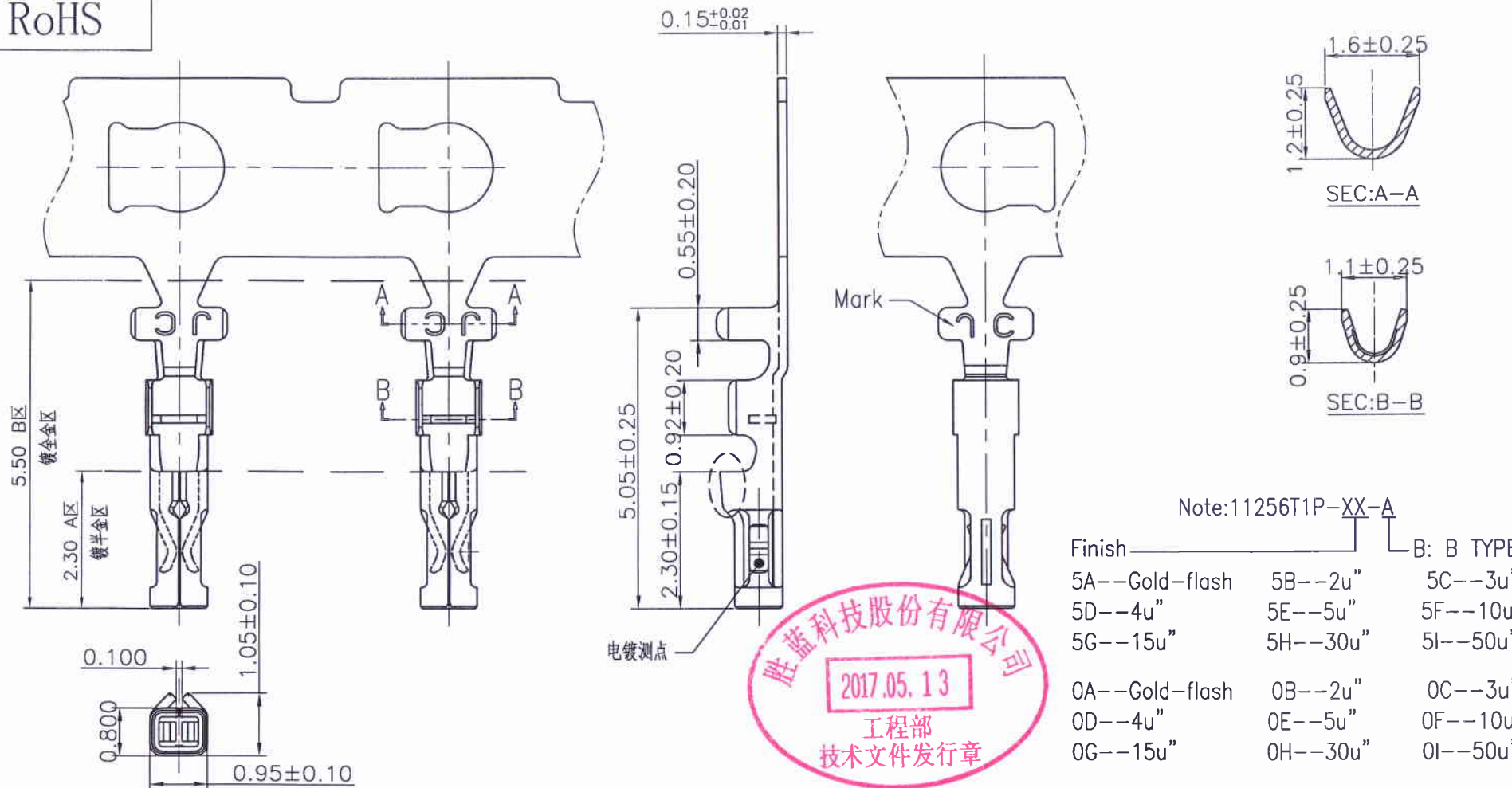


RoHS



Note: 11256T1P-XX-A

Finish	B: B TYPE	
5A--Gold-flash	5B--2u"	5C--3u"
5D--4u"	5E--5u"	5F--10u"
5G--15u"	5H--30u"	5I--50u"
0A--Gold-flash	0B--2u"	0C--3u"
0D--4u"	0E--5u"	0F--10u"
0G--15u"	0H--30u"	0I--50u"

Part No	Wire Range	Insulation O.D.	Material	Finish	Qty/reel
11256T1P-2E-A	AWG#32~#34	0.80mm(max)	Phosphor Bronze	Tin-plated	20,000 pcs
11256T1P-0X-A	AWG#32~#34	0.80mm(max)	Phosphor Bronze	Gold-plated contact area	20,000 pcs
11256T1P-5X-A	AWG#32~#34	0.80mm(max)	Phosphor Bronze	Gold-plated overall	20,000 pcs

REV.	REVISION RECORD	DATE	GENERAL TOLERANCES	SCALE:	NAME	DATE	PART. NO: 11256T1P-XX-A-XX
C0	新图面发行	14. 10. 22	LINEAR	1:1			
C1	变更公司名称	17. 03. 30	0.0±0.25	APPROVED			
			X° REF±6°	DESIGNER			
			UNIT: MM	0.00±0.15	X° ±3°		
			SIZE: A4	0.000±0.08	X° X'±2°		
				DRAWN	邓群庄	17. 03. 30	
TITLE: FI-S 端子							DWG. NO: ENDE05
							REV: C1 SHEET: 1/1

**JCTC** 胜蓝科技股份有限公司  
TERMINAL&CONNECTORS 东莞市富智达电子科技有限公司