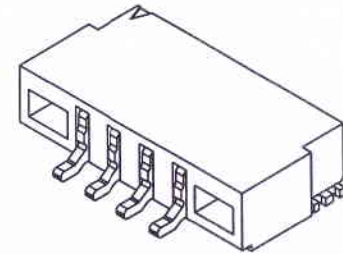
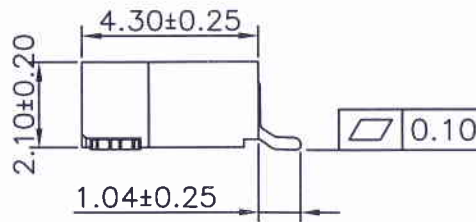
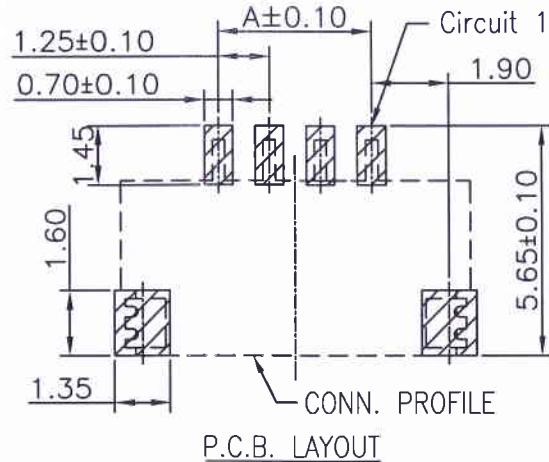
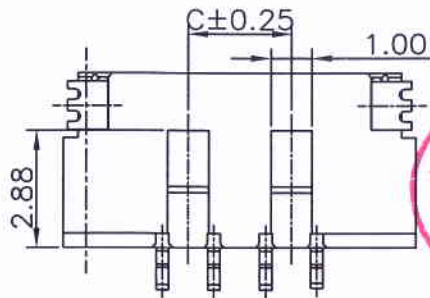
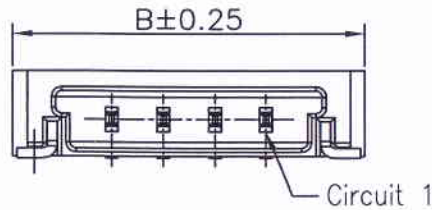
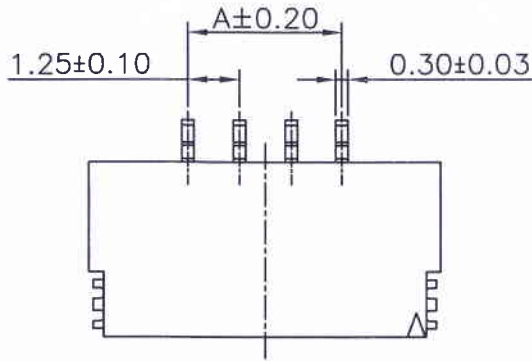


RoHS



11256W90-NPX-B-S-HF

① ② ③④⑤⑥⑦

- ① Series No.
- ② W90 : Side Contact
W00 : Up Contact
- ③ No. of Circuits
- ④ X : Product color (A--Y)
Blank : Natural type
- ⑤ B: B type
- ⑥ S: SMT type
- ⑦ HF: Halogen Free

Specifications:
 Rated Current : 1A AC,DC
 Rated Voltage : 150V AC/DC
 Withstand Voltage : 500V AC/minute
 Contact Resistance : 30mΩ(MAX.)
 Insulation Resistance : 500MΩ(MIN.)
 Temperature Range : -35°C~+85°C



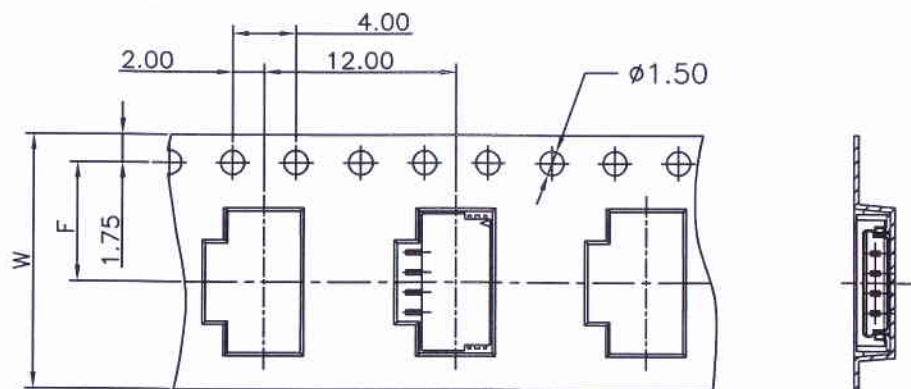
Dimensional Ordering Information:			
Circuits Part No	Dimensions		
	A	B	C
4P	3.75	8.60	2.50
5P	5.00	9.85	3.75
6P	6.25	11.10	5.00

Part No.	Material	Color	Pin Material	Solder Tabs
11256W90-NP-B-S	High temperature plastic,UL94V-0	Natural(Beige)	Phosphor Bronze/Gold-plated	Brass/Gold-flash
11256W90-NPA-B-S	High temperature plastic,UL94V-0	Natural(Black)	Phosphor Bronze/Gold-plated	Brass/Gold-flash
11256W90-NPA-B-S-HF	High temperature plastic,UL94V-0	Natural(Black)	Phosphor Bronze/Gold-plated	Brass/Gold-flash
11256W90-NPA-B-S-2E-HF	High temperature plastic,UL94V-0	Natural(Black)	Phosphor Bronze/Tin-plated	Brass/Tin-flash

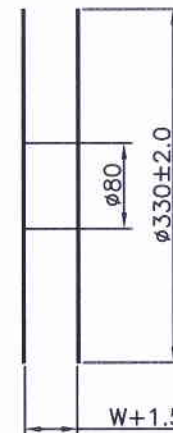
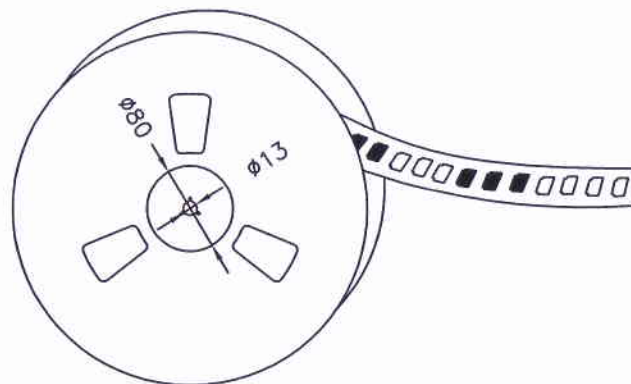
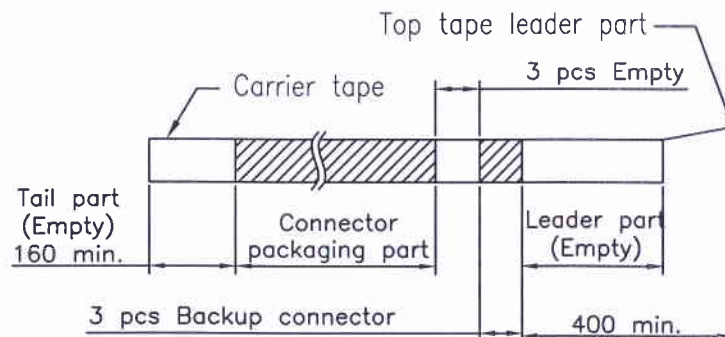
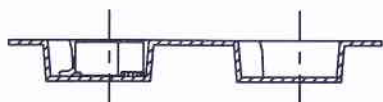
REV.	REVISION RECORD	DATE	GENERAL TOLERANCES	SCALE: 1:1	NAME	DATE	JCTC ® 胜蓝科技股份有限公司 TERMINAL&CONNECTORS 东莞市富智达电子科技有限公司	PART. NO:
C0	新图面发行	14.05.23	L: 0.0±0.25	APPROVED	[Signature]	14.5.23		
C1	WN1605040052	16.05.04	0.00±0.15	DESIGNER	[Signature]	17.03.16		DWG. NO:
C2	变更公司名称	17.03.16	0.000±0.08	DRAWN	邓群庄	17.03.16		ENDE05
							TITLE:	REV: C2 SHEET: 1/2

RoHS

4~6 Contacts



Unreeling direction →



Number of Contacts	W±0.3	F±0.1	S±0.1	Q'ty/Reel
4P	16	7.50	--	1,500
5~6P	24	11.50	--	1,500

REV.	REVISION RECORD		DATE	UNIT: MM	GENERAL TOLERANCES		SCALE: 1:1	NAME	DATE	JCTC® 胜蓝科技股份有限公司 TERMINAL&CONNECTORS 东莞市富智达电子科技有限公司	PART. NO:	
	新图面发行				14.05.23	LINEAR					ANGLES	11256W90-NPX-B-S
C0	变更公司名称		17.03.16	0.00±0.15	X° ±3°	0.0±0.25	X° REF±6°	APPROVED	17.03.16	DESIGNER	邓群庄	DWG. NO:
C1				0.00±0.08	X° X'±2°			DRAWN				ENDE05
TITLE: 1.25mm PITCH WAFER										REV: C1	SHEET: 2/2	