

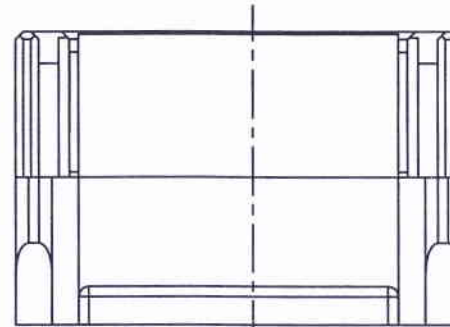
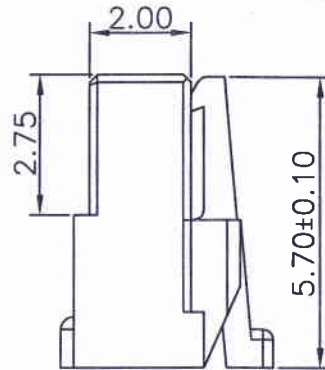
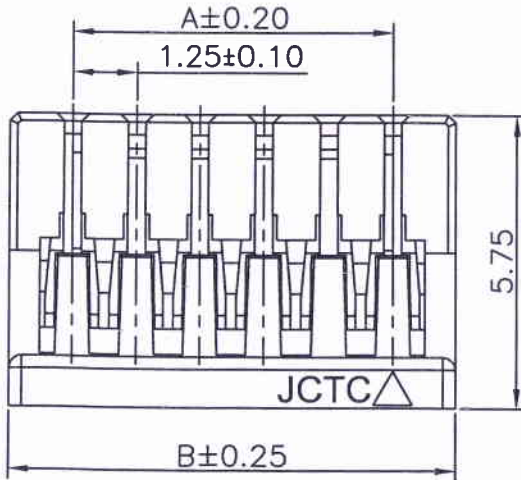
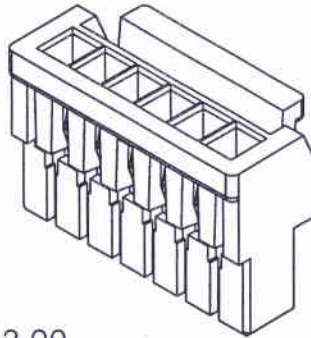
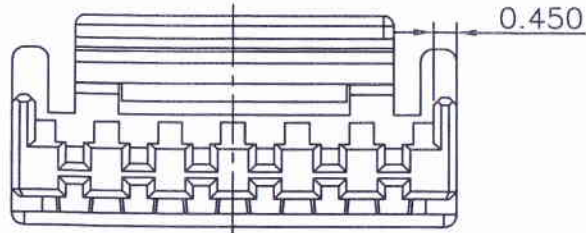
RoHS

11257H00-NP-L-HF

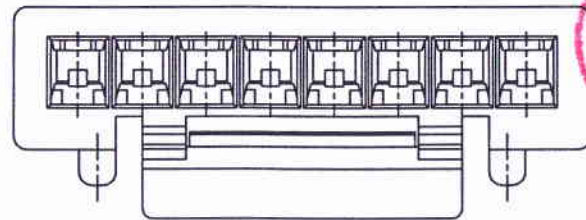
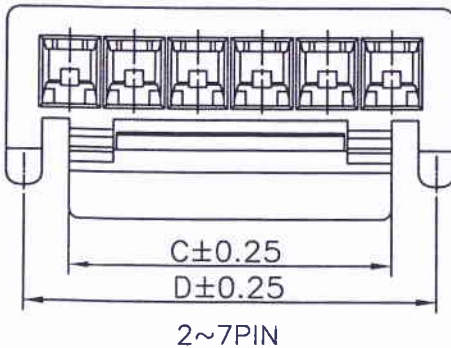
① ② ③ ④ ⑤

- ① Series No.
- ② H90 : Side Contact
H00 : Up Contact
- ③ No. of Circuits
- ④ L : Mount type
- ⑤ HF : Halogen Free

Specifications:
 Voltage Rating : 50V AC/DC
 Current Rating : 1A AC,DC
 Withstand Voltage : 500V AC/minute
 Contact Resistance : 30mΩ(MAX.)
 Insulation Resistance : 100MΩ(MIN.)
 Temperature Range : -25°C~+85°C



Dimensional Ordering Information				
Circuits Part No	Dimensions			
	A	B	C	D
2P	--	3.65	1.95	3.20
3P	2.50	4.90	3.00	4.20
4P	3.75	6.15	4.25	5.45
5P	5.00	7.40	4.25	6.70
6P	6.25	8.65	6.25	8.00
7P	7.50	9.90	6.25	9.25
8P	8.75	11.15	6.25	8.00
9P	10.00	12.40	6.25	8.00
10P	11.25	13.65	8.25	10.00
11P	12.50	14.90	8.25	10.00
12P	13.75	16.15	8.25	10.00
13P	15.00	17.40	8.25	10.00
14P	16.25	18.65	8.25	10.00
15P	17.50	19.90	8.25	10.00



Suitable for JCTC 11257 series terminal

Part No.	Material	Color
11257H00-NP-L	PBT,UL 94V-0	Natural(White)
11257H00-NP-L-HF	Nylon 66,UL 94V-0	Natural(White)
11257H00-NPA-L-HF	Nylon 66,UL 94V-0	Black

REV.	REVISION RECORD	DATE	GENERAL TOLERANCES	SCALE:	NAME	DATE
D0	新增有卤PBT料规格	13.03.19	LINEAR	1:1		
D1	新增黑色无卤规格	14.04.30	0.0±0.25	ANGLES		
D2	HN1411140189	14.12.09	0.00±0.15	X° REF±6°		
D3	变更公司名称	17.05.04	0.00±0.08	X° ±3°		
			UNIT: MM	X° X'±2°		
			SIZE: A4			

JCTC® 胜蓝科技股份有限公司
 TERMINAL&CONNECTORS 东莞市富智达电子科技有限公司
 TITLE: GHR 1.25mm PITCH HOUSING

PART. NO:	11257H00-NP-L-XX
DWG. NO:	ENDE05
REV:	D3
SHEET:	1/1