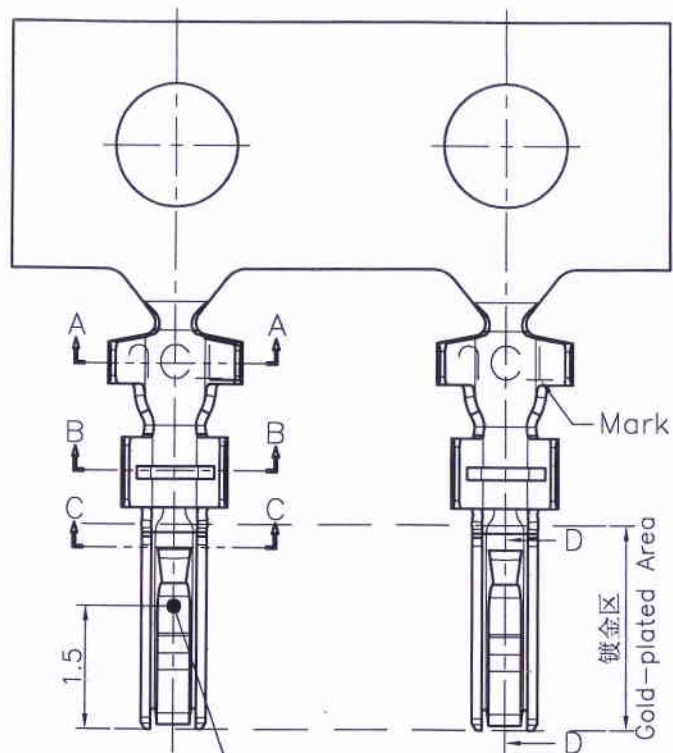
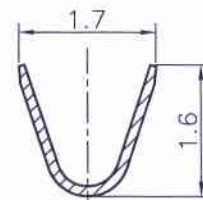
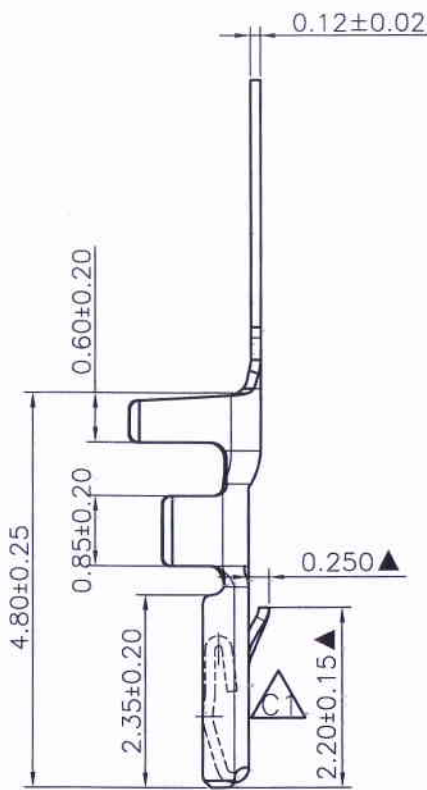


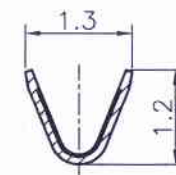
RoHS



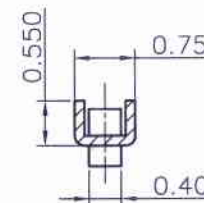
镀镍&金电镀测点



SEC:A-A



SEC:B-B



SEC:C-C

Note:11257TOP-XX-XX

符号: Mark
NK : NO Mark

Finish

- 0A--Gold-flash 0B--2u" 0C--3u" 0D--4u" 0E--5u"
- 0F--10u" 0G--15u" 0H--30u" 0I--50u"
- 2E--Tin-plated 3E--Matte Tin-plated
- 5A--Gold-flash 5B--2u" 5C--3u" 5D--4u" 5E--5u"



Part No	Wire Range	Insulation O.D.	Material	Finish	Qty/reel
11257TOP-0X-XX	AWG#28~#32	0.80mm(max)	Phosphor Bronze	Gold-plated contact area	20,000 pcs
11257TOP-2E-XX	AWG#28~#32	0.80mm(max)	Phosphor Bronze	Tin-plated	20,000 pcs
11257TOP-3E-XX	AWG#28~#32	0.80mm(max)	Phosphor Bronze	Matte Tin-plated	20,000 pcs
11257TOP-5X-XX	AWG#28~#32	0.80mm(max)	Phosphor Bronze	Gold Plated on Overall.	20,000 pcs

REV.	REVISION RECORD	DATE	GENERAL TOLERANCES	SCALE:	NAME	DATE	PART. NO:
C3	ECN 1212060108	12. 12. 06	LINEAR	1:1			
C4	新增电镀规格	15. 02. 02	0.0±0.25	APPROVED			DWG. NO:
C5	新增电镀规格	16. 06. 16	X° REF±6°	DESIGNER			ENDE05
C6	变更公司名称	17. 01. 12	X° X'±3°	DRAWN			REV: C6 SHEET: 1/1
			UNIT: MM				
			SIZE: A4				
			0.00±0.15				
			0.00±0.08				
			X° X'±2°				

JCTC 胜蓝科技股份有限公司
TERMINAL&CONNECTORS 东莞市富智达电子科技有限公司

TITLE: GHR 1.25mm PITCH Terminal