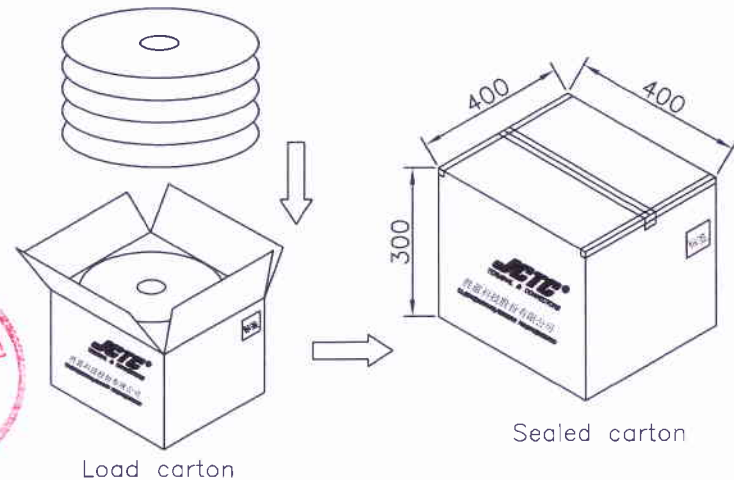
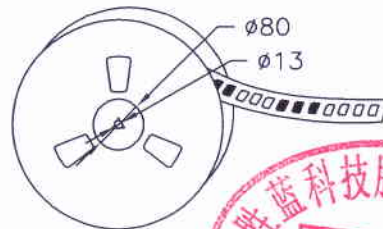
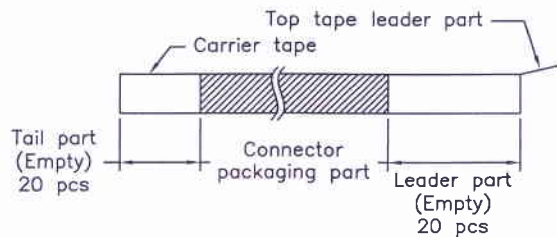
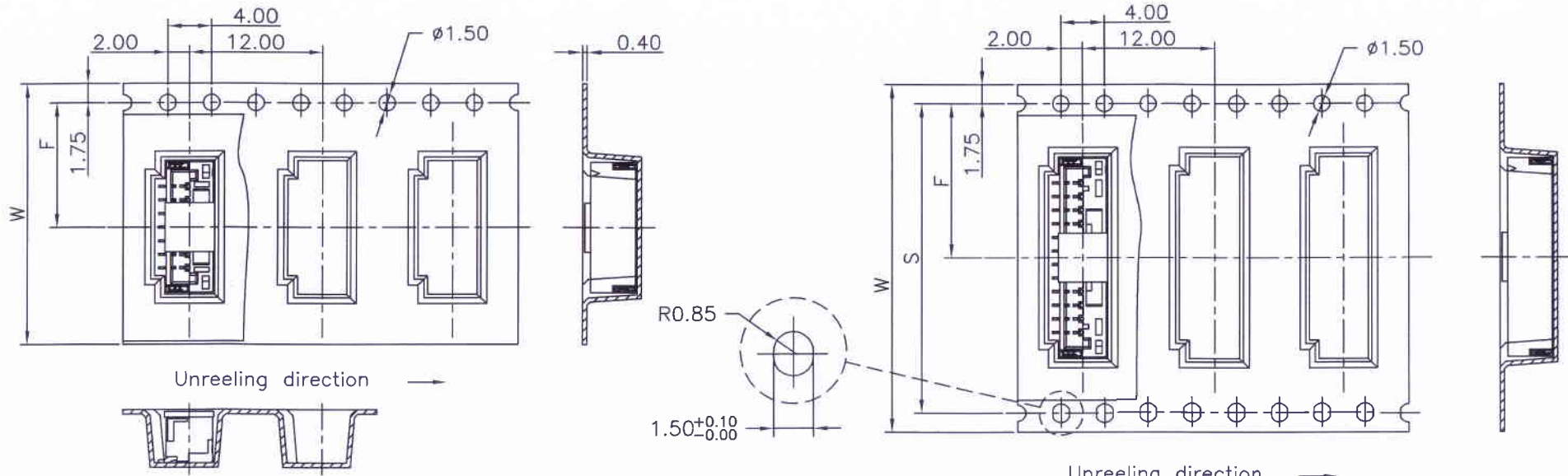


2~11 Contacts

12~18 Contacts



Number of Contacts	W±0.3	F±0.1	S±0.1	pcs/Reel	pcs/Box
2~5P	16	7.50	/	1,000	14,000
6~11P	24	11.50		1,000	10,000
12~16P	32	14.20	28.40	1,000	8,000
17~18P	44	22.20	40.40	1,000	6,000

REV.	REVISION RECORD	DATE	GENERAL TOLERANCES	SCALE:	NAME	DATE	PART. NO:	DWG. NO:	JCTC [®] TERMINAL&CONNECTORS REV: C2 SHEET: 2/2
C0	换图框发行	11.10.22	LINEAR	1:1			11257W00-NP-S	ENDE05	
C1	整理图面	16.11.07	0.0±0.25	APPROVED	李占梅	20.09.28			
C2	WN2009240266	20.09.28	0.00±0.15	DESIGNER	李占梅	20.09.28	TITLE: GHR 1.25mm PITCH 180° SMT WAFER		
			0.000±0.08	DRAWN	李占梅	20.09.28			