

Specifications:  
 Voltage Rating : 50V AC/DC  
 Current Rating : 1A AC,DC  
 Withstand Voltage : 500V AC/minute  
 Contact Resistance : 30mΩ(MAX.)  
 Insulation Resistance : 100MΩ(MIN.)  
 Temperature Range : -25°C~+85°C  
 The product using material and processing must conform to the \*WI-PZ-142"HSF technical standard control requirements

11257W90-NP-S-HF-R  
 ① ② ③ ④ ⑤ ⑥

- ① Series No.
- ② W90 : Side Contact  
W00 : Up Contact
- ③ No. of Circuits
- ④ S : SMT Type
- ⑤ HF : Halogen Free
- ⑥ R : Reel pack



| Circuits Part No | Dimensions |       |      |
|------------------|------------|-------|------|
|                  | A          | B     | C    |
| 2P               | --         | 5.75  | 2.05 |
| 3P               | 2.50       | 7.00  | 3.30 |
| 4P               | 3.75       | 8.25  | 4.50 |
| 5P               | 5.00       | 9.50  |      |
| 6P               | 6.25       | 10.75 | 6.70 |
| 7P               | 7.50       | 12.00 |      |
| 8P               | 8.75       | 13.25 |      |
| 9P               | 10.00      | 14.50 | 8.65 |
| 10P              | 11.25      | 15.75 |      |
| 11P              | 12.50      | 17.00 |      |
| 12P              | 13.75      | 18.25 |      |
| 13P              | 15.00      | 19.50 | 8.65 |
| 14P              | 16.25      | 20.75 |      |
| 15P              | 17.50      | 22.00 |      |
| 16P              | 18.75      | 23.25 |      |
| 17P              | 20.00      | 24.50 |      |
| 18P              | 21.25      | 25.75 |      |

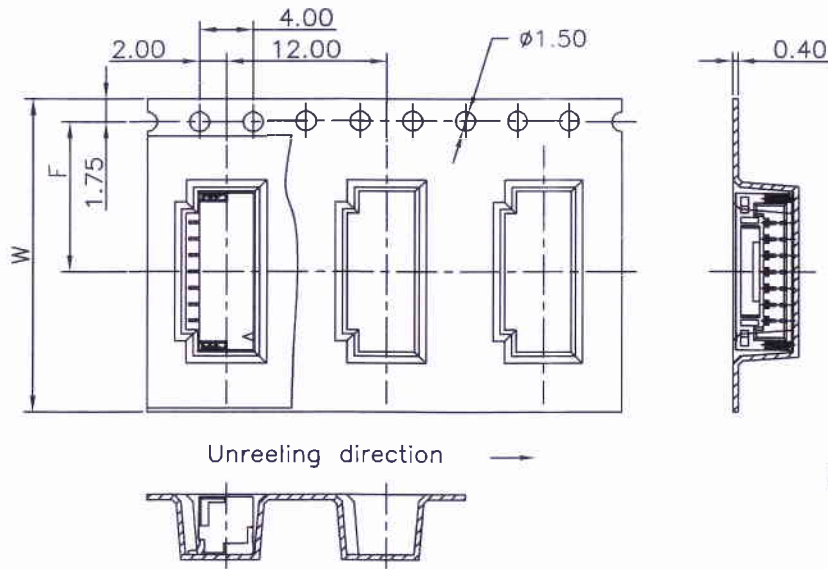
| Part No.              | Material                         | Pin Material                      | Solder Tabs             | Color          |
|-----------------------|----------------------------------|-----------------------------------|-------------------------|----------------|
| 11257W90-NP-S-R       | High temperature plastic,UL94V-0 | Phosphor Bronze/Tin-plated        | Brass/Tin-plated        | Natural(Beige) |
| 11257W90-NP-S-HF-R    | High temperature plastic,UL94V-0 | Phosphor Bronze/Tin-plated        | Brass/Tin-plated        | Natural(Beige) |
| 11257W90-NPA-S-HF-R   | High temperature plastic,UL94V-0 | Phosphor Bronze/Tin-plated        | Brass/Tin-plated        | Black          |
| 11257W90-NP-S-3E-HF-R | High temperature plastic,UL94V-0 | Phosphor Bronze/ Matte Tin-plated | Brass/ Matte Tin-plated | Natural(Beige) |

| REV. | REVISION RECORD | DATE     | GENERAL TOLERANCES | SCALE:   | NAME | DATE     | PART. NO.:                     | DWG. NO.: |
|------|-----------------|----------|--------------------|----------|------|----------|--------------------------------|-----------|
| C2   | 整理图画            | 13.01.07 | LINER              | 1:1      |      |          | 11257W90-NP-S-XX               | ENDE05    |
| C3   | WN1606290091    | 16.06.30 | 0.0±0.25           | APPROVED |      |          |                                |           |
| C4   | WN1610310182    | 16.11.07 | 0.00±0.15          | DESIGNER |      |          | TITLE:                         |           |
| C5   | WN2009240266    | 20.09.24 | 0.000±0.08         | DRAWN    | 伍文聪  | 20.09.24 | GHR 1.25mm PITCH 90° SMT WAFER |           |

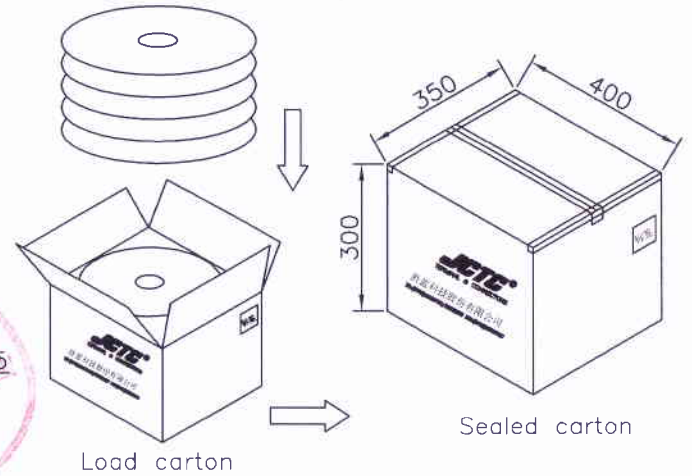
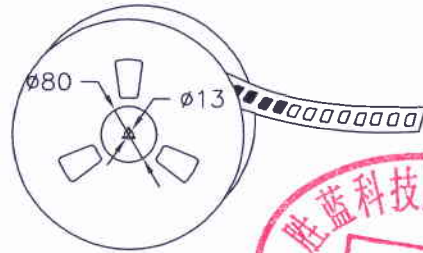
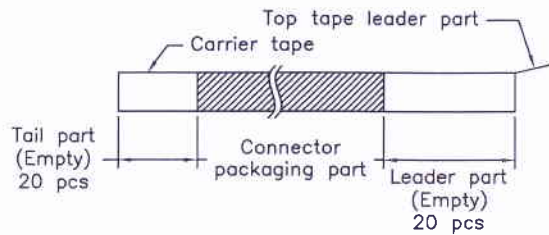
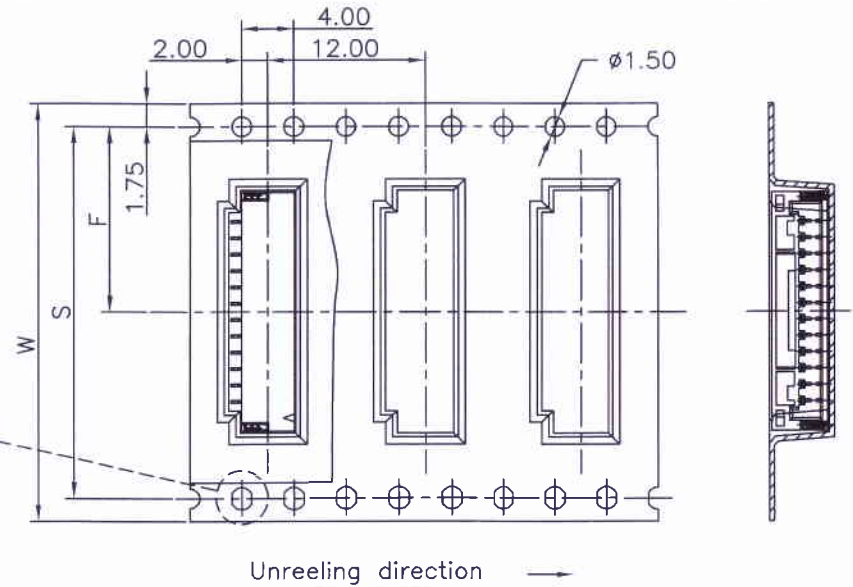
**JCTC**®  
 TERMINAL&CONNECTORS

REV: C5 SHEET: 1/2

02~11 Contacts



12~18 Contacts



| Number of Contacts | W±0.3 | F±0.1 | S±0.1 | pcs/Reel | pcs/Box |
|--------------------|-------|-------|-------|----------|---------|
| 2~5P               | 16    | 7.50  | 28.40 | 1,000    | 14,000  |
| 6~11P              | 24    | 11.50 |       | 1,000    | 10,000  |
| 12~16P             | 32    | 14.20 | 40.40 | 1,000    | 8,000   |
| 17~18P             | 44    | 22.20 |       | 1,000    | 6,000   |

| REV. | REVISION RECORD | DATE     | GENERAL TOLERANCES | SCALE:   | NAME | DATE     | PART. NO.:                               | DWG. NO.:  | <br><b>JCTC</b> ®<br>TERMINAL&CONNECTORS |
|------|-----------------|----------|--------------------|----------|------|----------|--|------------|--|
| C2   | 整理图面            | 13.01.07 | LINEAR             | 1:1      |      |          | 11257W90-NP-S-XX                         | ENDE05     |  |
| C3   | WN1606290091    | 16.06.30 | 0.0±0.25           | APPROVED | 李瑞   | 20.09.28 | TITLE:<br>GHR 1.25mm PITCH 90° SMT WAFER |            |  |
| C4   | WN1610300182    | 16.11.07 | 0.00±0.15          | DESIGNER | 李瑞   | 20.09.28 |  |            |  |
| C5   | WN2009240266    | 20.05.26 | 0.000±0.08         | DRAWN    | 伍文聪  | 20.05.26 |  |            |  |
|      |                 |          | ANGLES             |          |      |          | REV: C5                                  | SHEET: 2/2 |  |