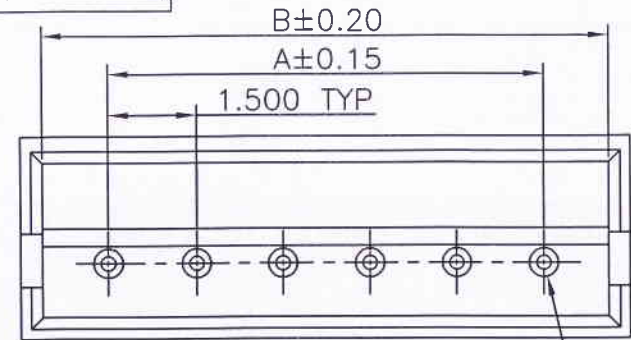
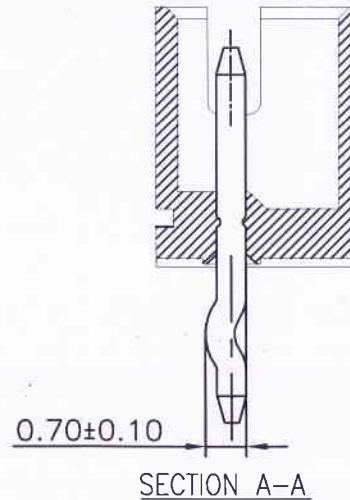
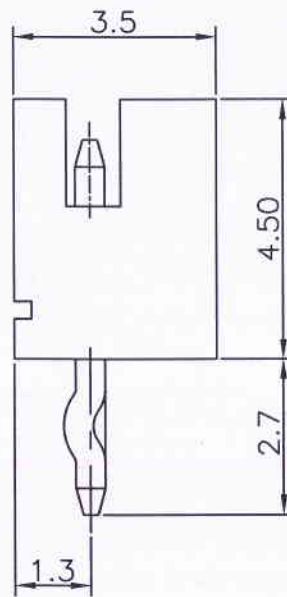
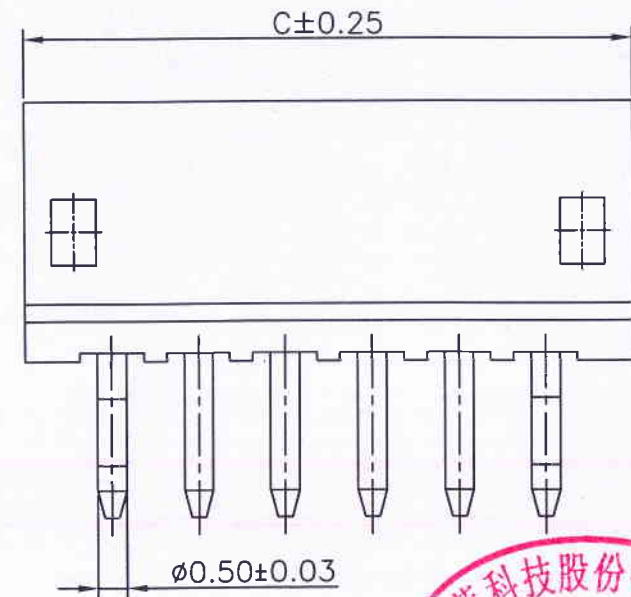
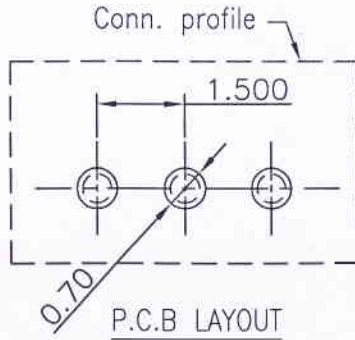


环保物料



Circuit 1



Specifications:
 Voltage Rating : 50V AC/DC
 Current Rating : 1A AC,DC
 Withstand Voltage : 500V AC/minute
 Contact Resistance : 20mΩ(MAX.)
 Insulation Resistance : 500MΩ(MIN.)
 Temperature Range : -25°C~+85°C

11501W00-NPX-1-6T
 ① ② ③④ ⑤ ⑥

- ① Series No.
- ② W90 : Side Contact
W00 : Up Contact
- ③ No. of Circuits
- ④ X : Product color(A--Y)
Blank : Natural type
- ⑤ 1 : 1 Type
- ⑥ 6T : Nylon 6T

Dimensional Ordering Information:

Circuits Part No	Dimensions		
	A	B	C
2P	1.50	3.70	4.50
3P	3.00	5.20	6.00
4P	4.50	6.70	7.50
5P	6.00	8.20	9.00
6P	7.50	9.70	10.50
7P	9.00	11.20	12.00
8P	10.50	12.70	13.50
9P	12.00	14.20	15.00
10P	13.50	15.70	16.50
11P	15.00	17.20	18.00
12P	16.50	18.70	19.50
13P	18.00	20.20	21.00
14P	19.50	21.70	22.50
15P	21.00	23.20	24.00

胜蓝科技股份有限公司
 2016.10.21
 工程部
 技术文件发行章

Part No.	Material	Color	Pin Material
11501W00-NP-1	Nylon 66,UL 94V-0	White	Brass/Tin-plated
11501W00-NPJ-1	Nylon 66,UL 94V-0	Gray	Brass/Tin-plated
11501W00-NP-1-6T	Nylon 66,UL 94V-0	Beige	Brass/Tin-plated

REV.	REVISION RECORD	DATE	UNIT: MM	SIZE: A4	GENERAL TOLERANCES		SCALE:	NAME	DATE
					LINEAR	ANGLES	1:1		
C0	换图框发行	10.11.05			0.0±0.25	X° REF±6°	APPROVED		
C1	HN1109130131	11.09.13			0.00±0.15	X° ±3°	DESIGNER		
C2	新增6T料规格	12.04.19			0.000±0.08	X° X'±2°	DRAWN	邓群庄	16.10.19
C3	修改尺寸公差	16.10.19							

JCTC 胜蓝科技股份有限公司
 TERMINAL&CONNECTORS 东莞市富智达电子科技有限公司
 TITLE: ZH 1.50mm PITCH CONN

PART. NO:	11501W00-NPX-1-XX	
DWG. NO:	ENDE05	
REV:	C3	SHEET: 1/1