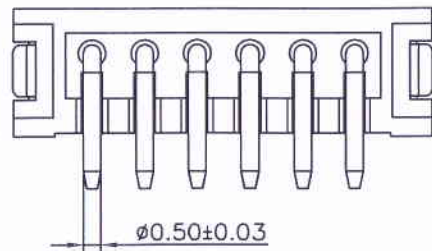
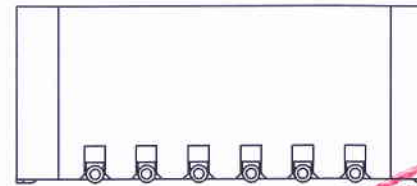
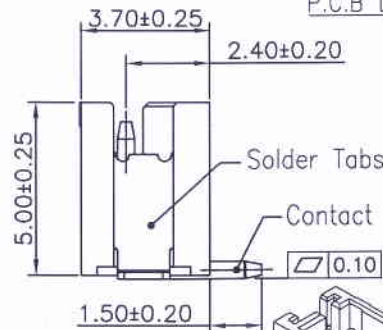
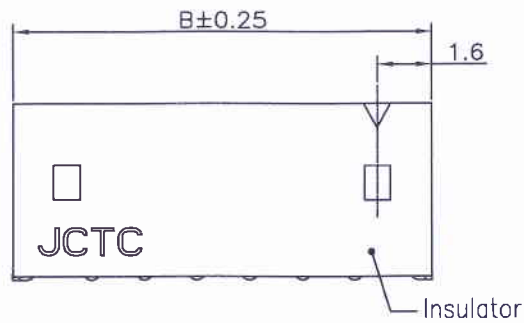


Specifications:  
 Voltage Rating : 50V AC/DC  
 Current Rating : 1A AC,DC  
 Withstand Voltage : 500V AC/minute  
 Contact Resistance : 20mΩ(MAX.)  
 Insulation Resistance : 500MΩ(MIN.)  
 Temperature Range : -25°C~+85°C  
 The product using material and processing must conform to the "WI-PZ-142" HSF technical standard control requirements



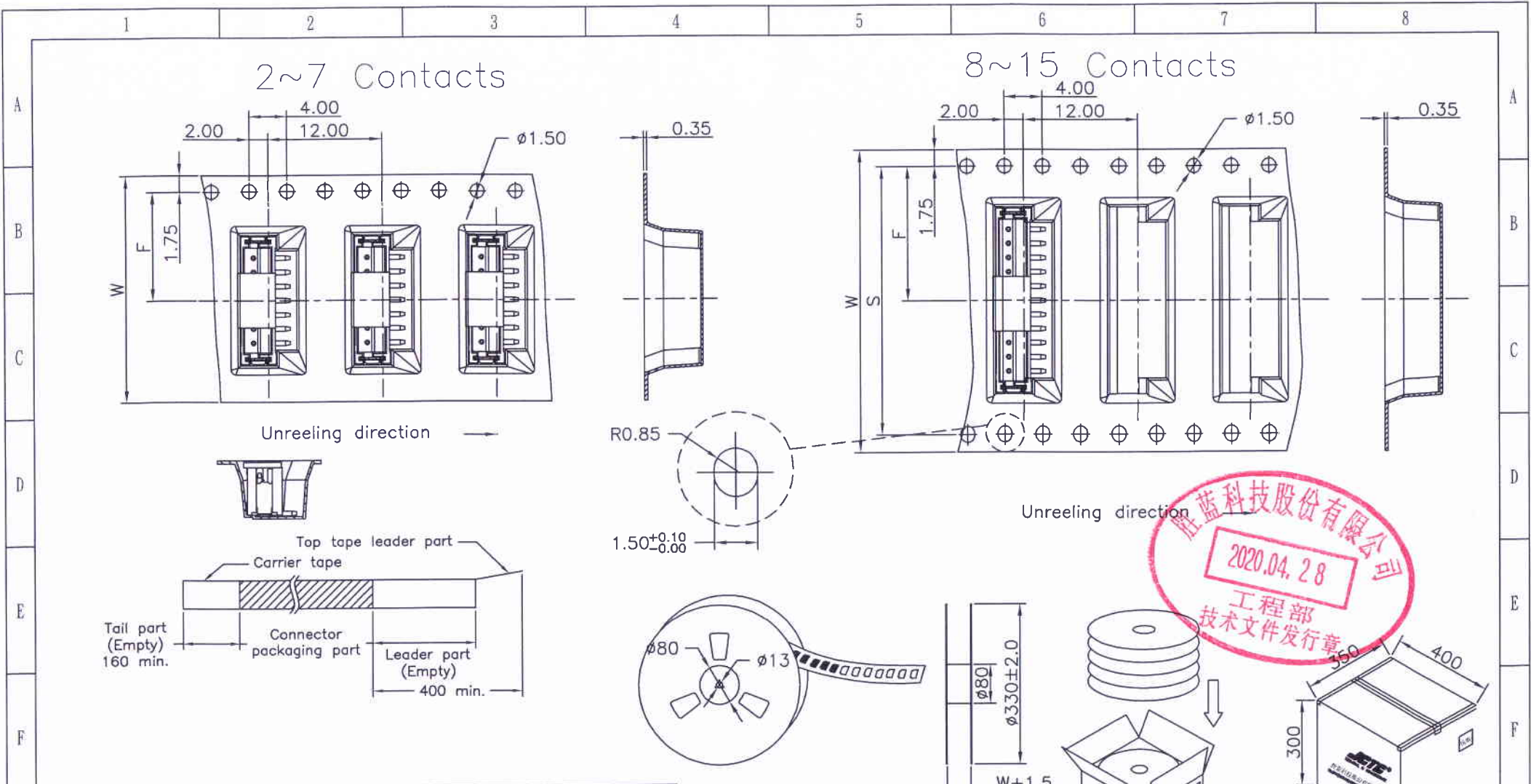
11501W00-NP-S-H1-HF-R  
 ① Series No.  
 ② W90 : Side Contact W002094 Contact  
 ③ No. of Circuits  
 ④ S: SMT type  
 ⑤ H1: H1 type  
 ⑥ HF: Halogen Free  
 ⑦ R: Tape & Reel(With Cap)

Circuits	Dimensions	
	A	B
2P	--	6.00
3P	3.00	7.50
4P	4.50	9.00
5P	6.00	10.50
6P	7.50	12.00
7P	9.00	13.50
8P	10.50	15.00
9P	12.00	16.50
10P	13.50	18.00
11P	15.00	19.50
12P	16.50	21.00
13P	18.00	22.50
14P	19.50	24.00
15P	21.00	25.50

Part No.	Material	Color	Pin Material	Solder Tabs
11501W00-NP-S-R	High temperature plastic,UL94V-0	Natural(Beige)	Brass/Matte Tin-plated	Brass/Matte Tin-plated
11501W00-NP-S-H1-HF-R	High temperature plastic,UL94V-0	Natural(Beige)	Brass/Matte Tin-plated	Brass/Matte Tin-plated
11501W00-NP-S-HF-R	High temperature plastic,UL94V-0	Natural(Beige)	Brass/Matte Tin-plated	Brass/Matte Tin-plated
11501W00-NPA-S-HF-R	High temperature plastic,UL94V-0	Black	Brass/Matte Tin-plated	Brass/Matte Tin-plated

REV.	REVISION RECORD	DATE	UNIT	SIZE	GENERAL TOLERANCES	SCALE:	NAME	DATE	PART. NO.:	DWG. NO.:	 <b>JCTC</b> <sup>®</sup> TERMINAL&CONNECTORS
C1	整理图面	15.05.12			LINEAR	1:1			11501W00-NPX-S-XX-R	ENDE05	
C2	WN1605300069	16.05.30			0.0±0.25	APPROVED					
C3	变更公司名称	18.03.29	MM		0.00±0.15	DESIGNER			TITLE:		
C4	WN2004260076	20.04.26	A4		0.000±0.08	DRAWN	张振坤	20.04.26	1.50mm PITCH 180° SMT WAFER		





Number of Contacts	W±0.3	F±0.1	S±0.1	Pcs/Reel	Pcs/Box
2P	16	7.50		900	13500
3~7P	24	11.50		900	9000
8~11P	32	14.20	28.40	900	7200
12~15P	44	20.20	40.40	900	5400

REV.	REVISION RECORD	DATE	GENERAL TOLERANCES	SCALE:	NAME	DATE	PART. NO.:	DWG. NO.:	 <b>JCTC</b> ® TERMINAL&CONNECTORS
C1	变更包装数量	15.05.11	LINEAR	1:1			11501W00-NP-S-XX-R	ENDE05	
C2	变更公司名称	18.03.29	0.0±0.25	APPROVED	<i>[Signature]</i>				
C3	WR1908150193	19.08.15	0.00±0.15	DESIGNER	<i>[Signature]</i>	20.04.26	TITLE:		
C4	WN2004260076	20.03.24	0.000±0.08	DRAWN	张振坤	20.04.26	1.50mm PITCH 180° SMT WAFER		

REV: C4 SHEET: 2/2