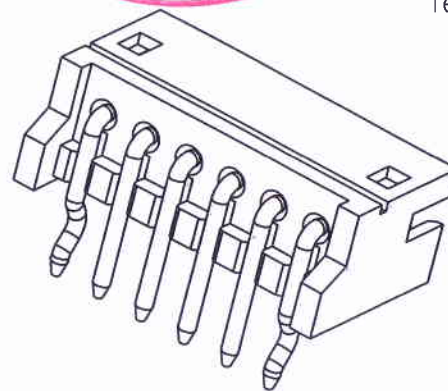
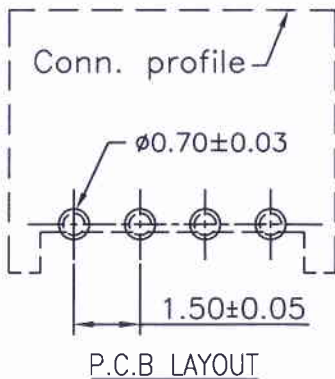
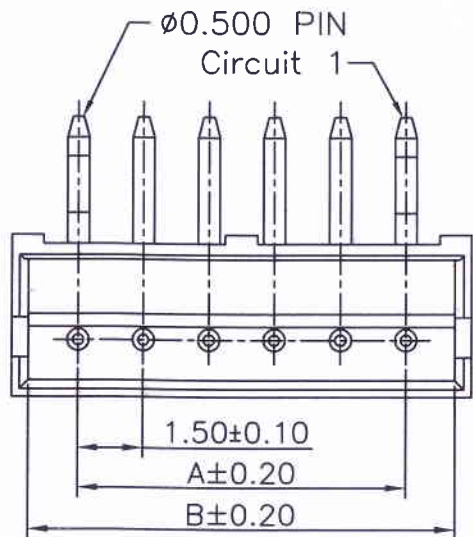


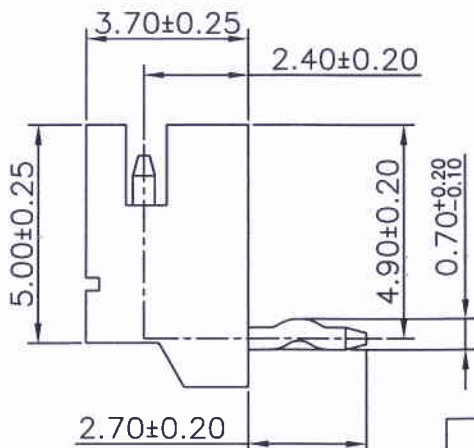
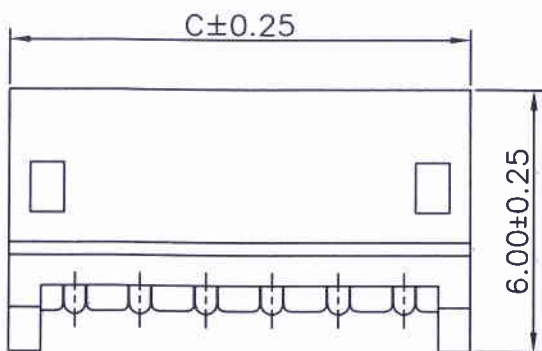
RoHS



Specifications:
 Voltage Rating : 50V AC/DC
 Current Rating : 1A AC,DC
 Withstand Voltage : 500V AC/minute
 Contact Resistance : 20mΩ(MAX.)
 Insulation Resistance : 500MΩ(MIN.)
 Temperature Range : -25°C~+85°C



Dimensional Ordering Information:			
Circuits Part No	Dimensions		
	A	B	C
2P	1.50	3.70	4.50
3P	3.00	5.20	6.00
4P	4.50	6.70	7.50
5P	6.00	8.20	9.00
6P	7.50	9.70	10.50
7P	9.00	11.20	12.00
8P	10.50	12.70	13.50
9P	12.00	14.20	15.00
10P	13.50	15.70	16.50
11P	15.00	17.20	18.00
12P	16.50	18.70	19.50
13P	18.00	20.20	21.00
14P	19.50	21.70	22.50
15P	21.00	23.20	24.00



11501W90-NPX-1-6T

① ② ③ ④ ⑤ ⑥

- ① Series No.
- ② W90 : Side Contact
W00 : Up Contact
- ③ No. of Circuits
- ④ X : Product color(A--Y)
Blank : Natural type
- ⑤ 1 : 1 TYPE
- ⑥ 6T: Nylon 6T

Part No.	Material	Color	Pin Material
11501W90-NP-1	Nylon 66,UL 94V-0	本色	Brass/Tin-plated
11501W90-NPJ-1	Nylon 66,UL 94V-0	灰色	Brass/Tin-plated
11501W90-NP-1-6T	Nylon 6T,UL 94V-0	本色	Brass/Tin-plated

REV.	REVISION RECORD	DATE	GENERAL TOLERANCES	SCALE:	NAME	DATE
C0	新图面发行	14. 07. 09	LINEAR	1:1		
C1	WN1611030179	16. 11. 07	0.0±0.25		APPROVED	16.11.07
			0.00±0.15		DESIGNER	16.11.07
			0.000±0.08		DRAWN	16.11.07

JCTC 胜蓝科技股份有限公司
 TERMINAL&CONNECTORS 东莞市富智达电子科技有限公司

PART. NO:	11501W90-NPX-1	
DWG. NO:	ENDE05	
REV:	C1	SHEET: 1/1

TITLE: ZH 1.50mm PITCH CONN