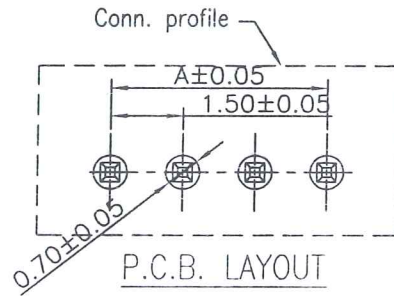
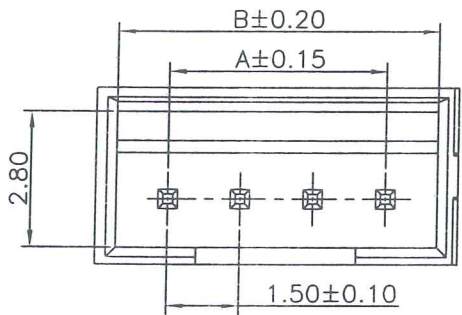
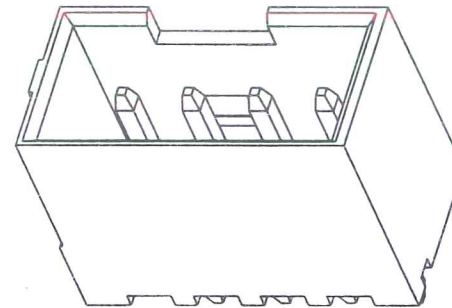
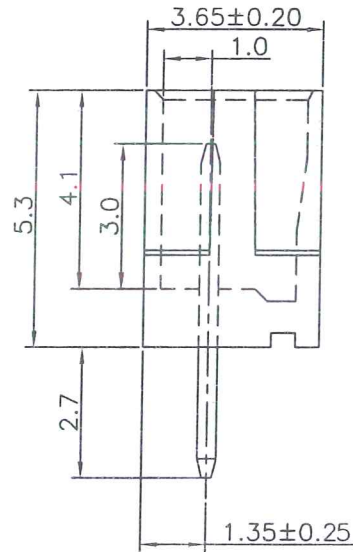
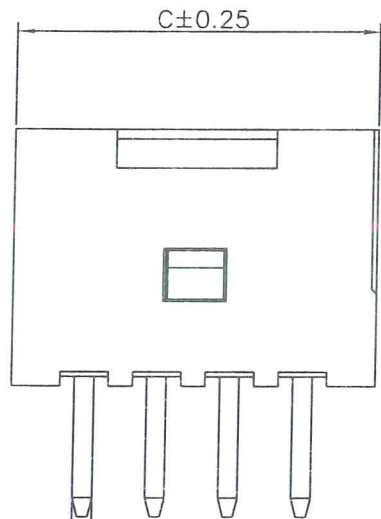


1 2 3 4 5 6 7 8

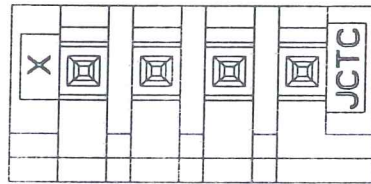
A
B
C
D
E
F
G



Specifications:
 Voltage Rating : 50V AC/DC
 Current Rating : 1A AC,DC
 Withstand Voltage : 500V AC/minute
 Contact Resistance : 20mΩ(MAX.)
 Insulation Resistance : 500MΩ(MIN.)
 Temperature Range : -25°C~+85°C
 The product using material and processing must conform to the "WI-PZ-142"HSF technical standard control requirements



Circuits Part No	Dimensions		
	A	B	C
2P	1.50	3.65	4.50
3P	3.00	5.15	6.00
4P	4.50	6.65	7.50
5P	6.00	8.15	9.00
6P	7.50	9.65	10.50
7P	9.00	11.15	12.00
8P	10.50	12.65	13.50
9P	12.00	14.15	15.00
10P	13.50	15.65	16.50
11P	15.00	17.15	18.00
12P	16.50	18.65	19.50
13P	18.00	20.15	21.00
14P	19.50	21.65	22.50
15P	21.00	23.15	24.00



Part No.	Material	Color	Pin Material
11504W00-NP-HF	Nylon 66,UL 94V-0	本色 无卤	Brass/Tin-plated
11504W00-NPB-HF	Nylon 66,UL 94V-0	棕色 无卤	Brass/Tin-plated

REV.	REVISION RECORD	DATE	GENERAL TOLERANCES		SCALE:	NAME	DATE
AO	新图面发行	20.12.22	LINEAR	ANGLES	1:1		
			0.0±0.25	X° REF±6°	APPROVED	张振坤	20.12.22
			0.00±0.15	X° ±3°	DESIGNER	张超	2020.12.22
			SIZE: A4	0.000±0.08	X° X'±2°	DRAWN	张振坤 20.12.22

PART NO:	DWG. NO:
11504W00-NPX-HF	ENDE05
TITLE: 1L-Y 1.5mm PITCH 180° Wafer	

JCTC ®	
TERMINAL&CONNECTORS	
REV: AO	SHEET: 1/1

A
B
C
D
E
F
G
H

1 2 3 4 5 6 7 8