

1 2 3 4 5 6 7 8

A

B

C

D

E

F

G

H

A

B

C

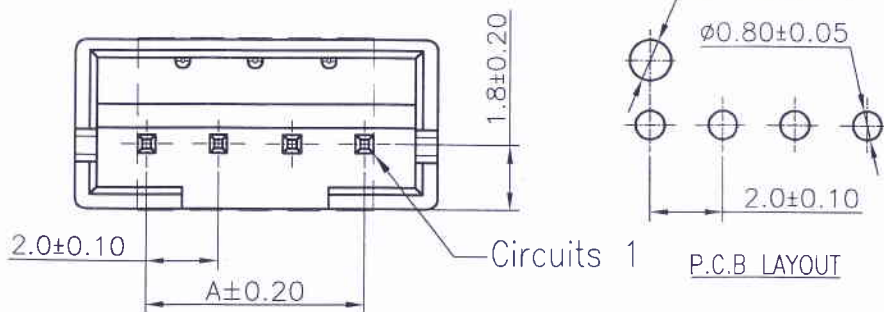
D

E

F

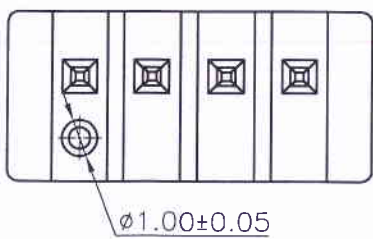
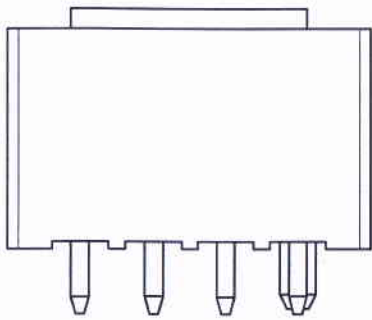
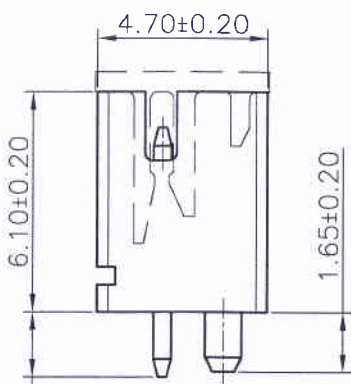
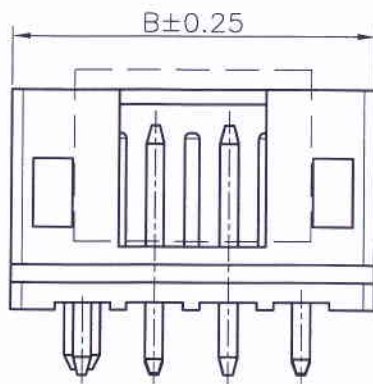
G

H



12001W00-NPX-F-S4-XX-HF-NK-R
① ② ③④⑤ ⑥ ⑦ ⑧ ⑨ ⑩

- ① Series No.
- ② W00 : Up Contact
- ③ No. of Circuits
- ④ X : Product color(A--Y)
Blank: Natural Type A: Black
- ⑤ F : With Boss
- ⑥ S4 : S4 Type
- ⑦ Blank : Tin 5A : Gold Flash
- ⑧ HF : Halogen Free
- ⑨ NK : No Mark
- ⑩ R : Tape & Reel

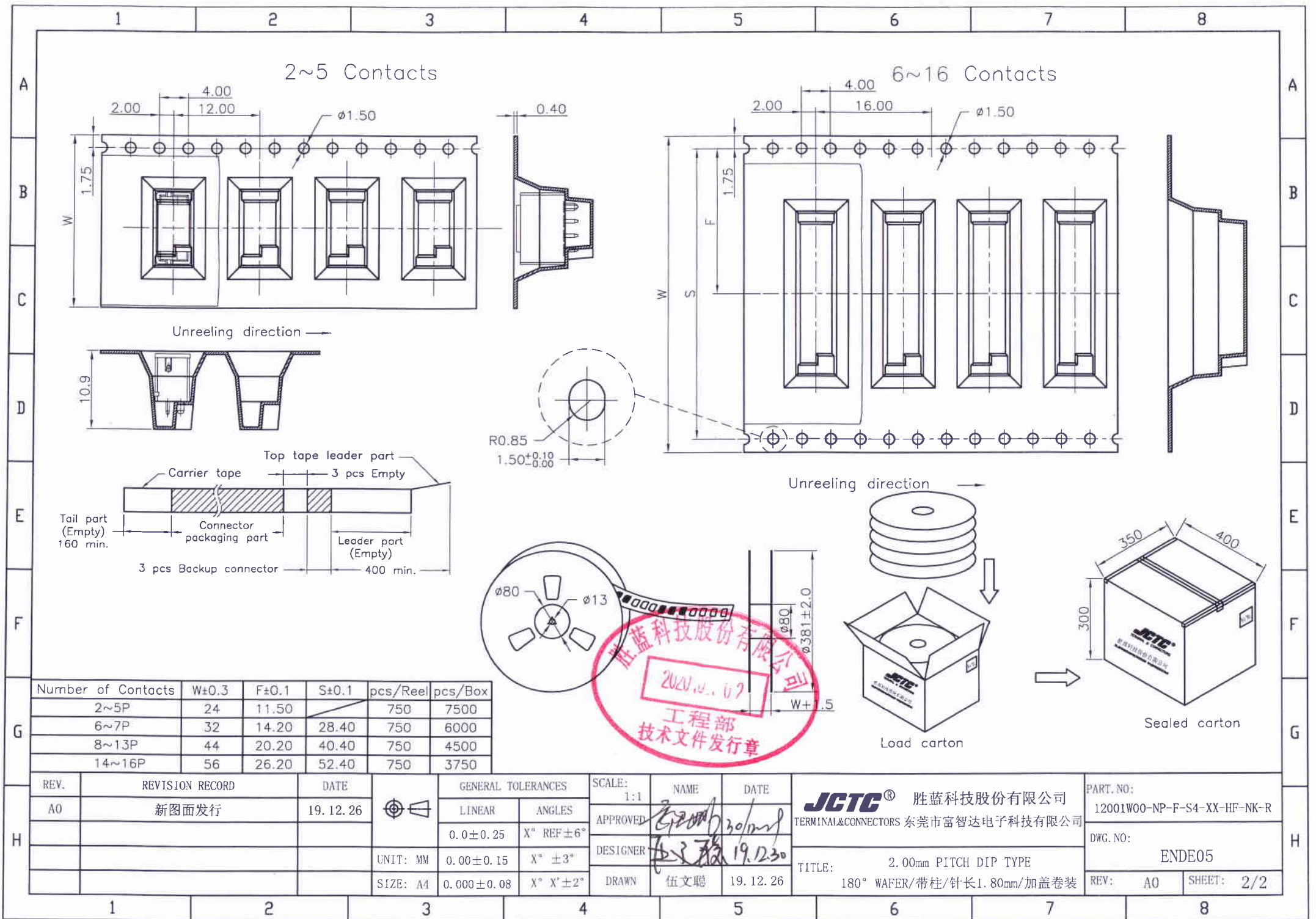


Specifications:
 Rated Voltage : 100V AC/DC
 Rated Current : 2A AC,DC
 Withstand Voltage : 800V AC/minute
 Contact Resistance : 10mΩ(MAX.)
 Insulation Resistance : 1000MΩ(MIN.)
 Temperature Range : -25°C~+85°C
 Contact: Brass
 Insulator: LCP,UL94V-0,Halogen Free
 The product using material and processing must conform to the "WI-PZ-142"HSF technical standard control requirements

Circuits	Dimensions	
	A	B
4P	6.00	10.00
5P	8.00	12.00
6P	10.00	14.00
7P	12.00	16.00
8P	14.00	18.00
9P	16.00	20.00
10P	18.00	22.00
11P	20.00	24.00
12P	22.00	26.00
13P	24.00	28.00
14P	26.00	30.00
15P	28.00	32.00
16P	30.00	34.00

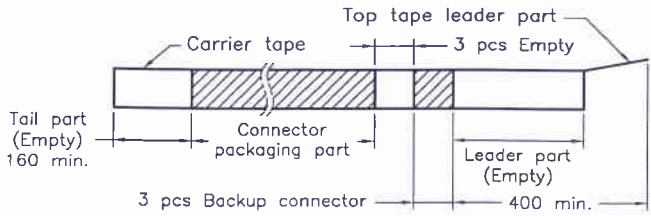
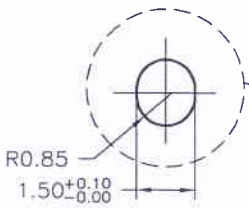
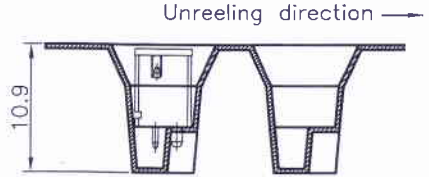
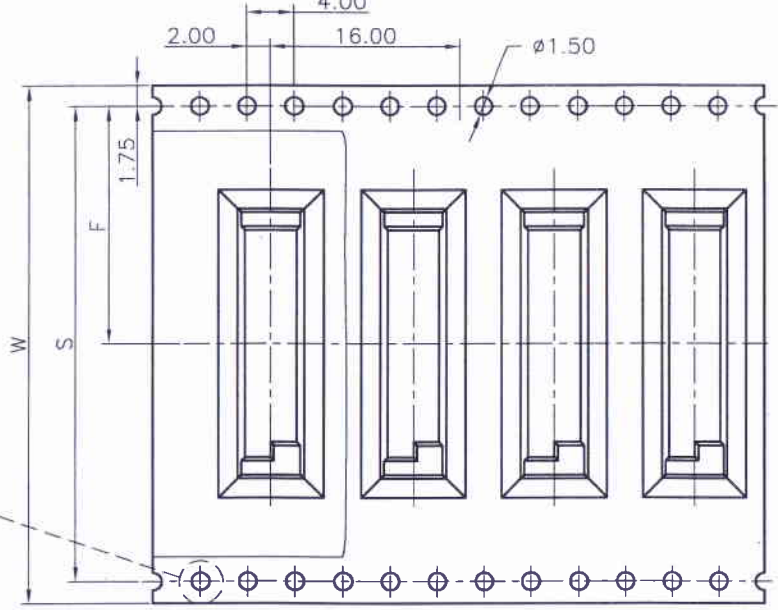
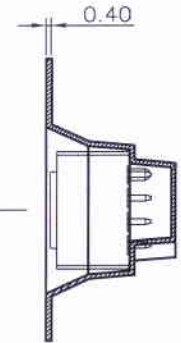
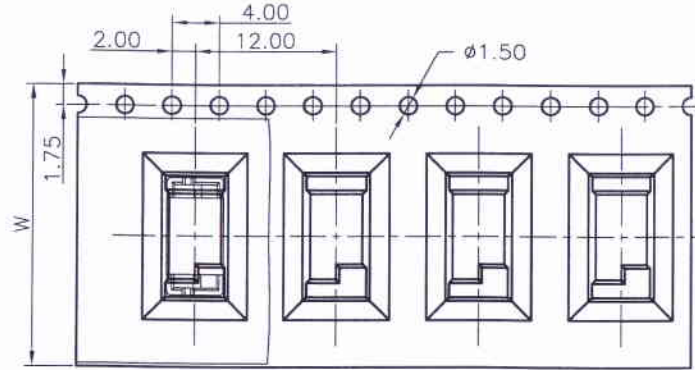
REV.	REVISION RECORD	DATE		GENERAL TOLERANCES		SCALE:	NAME	DATE	JCTC ® 胜蓝科技股份有限公司 TERMINAL&CONNECTORS 东莞市富智达电子科技有限公司	PART. NO:
A0	新图面发行	19.08.30		LINEAR	ANGLES	1:1	APPROVED	DESIGNER		19.12.30
			UNIT: MM	0.0±0.15	X° ±3°	DESIGNER	伍文聪	19.08.30	TITLE:	DWG. NO:
			SIZE: A4	0.000±0.08	X° X'±2°	DRAWN	伍文聪	19.08.30	2.00mm PITCH DIP TYPE	ENDE05
									180° WAFER/带柱/针长1.80mm/加盖卷装	REV: A0 SHEET: 1/2

1 2 3 4 5 6 7 8

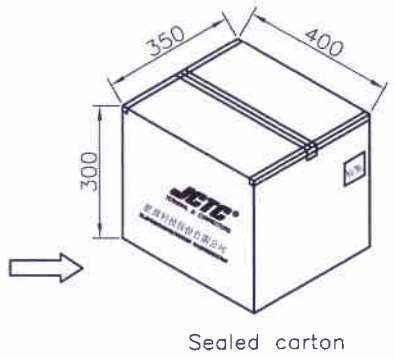
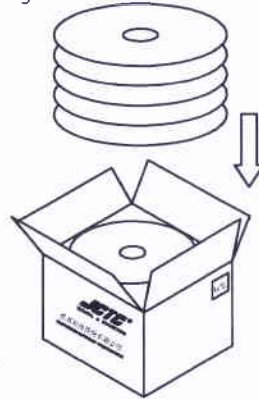
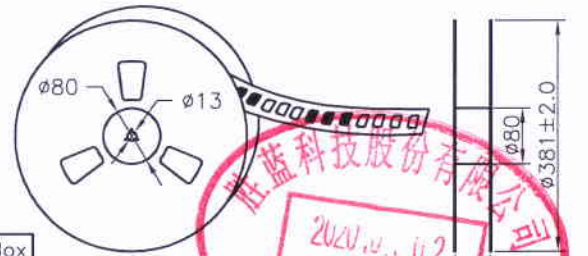


2~5 Contacts

6~16 Contacts



Unreeled direction



Number of Contacts	W±0.3	F±0.1	S±0.1	pcs/Reel	pcs/Box
2~5P	24	11.50	28.40	750	7500
6~7P	32	14.20	40.40	750	6000
8~13P	44	20.20	52.40	750	4500
14~16P	56	26.20		750	3750

REV.	REVISION RECORD	DATE	
A0	新图面发行	19.12.26	

GENERAL TOLERANCES		SCALE:	NAME	DATE
LINEAR	ANGLES	1:1		
0.0±0.25	X° REF±6°	APPROVED		30/12/20
UNIT: MM	0.00±0.15	DESIGNER		19.12.30
SIZE: A4	0.000±0.08	DRAWN	伍文聪	19.12.26

JCTC® 胜蓝科技股份有限公司
 TERMINAL&CONNECTORS 东莞市富智达电子科技有限公司

TITLE: 2.00mm PITCH DIP TYPE
 180° WAPER/带柱/针长1.80mm/加盖卷装

PART. NO: 12001W00-NP-F-S4-XX-HF-NK-R
 DWG. NO: ENDE05
 REV: A0 SHEET: 2/2