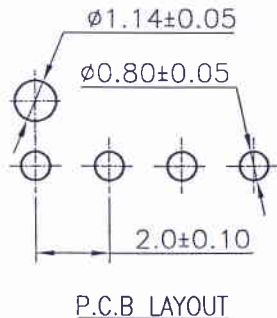
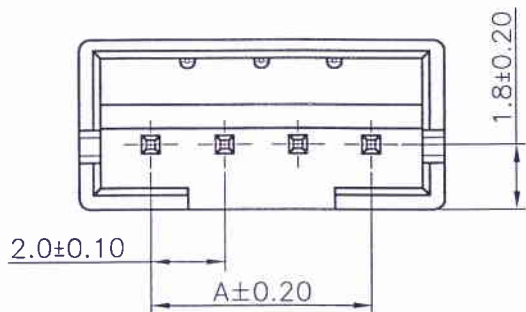


1 2 3 4 5 6 7 8

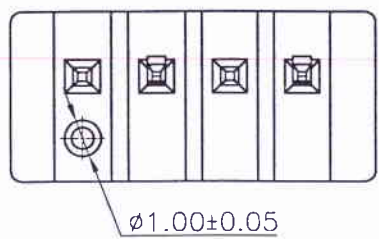
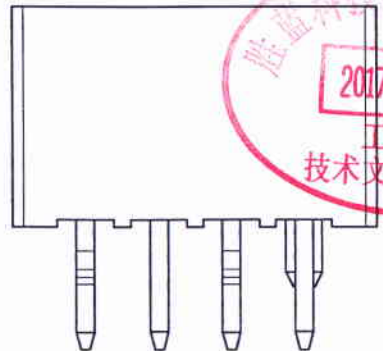
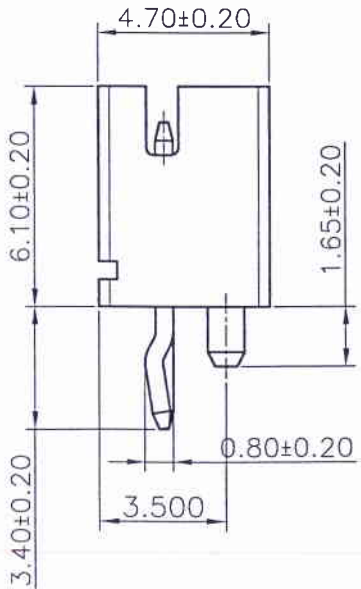
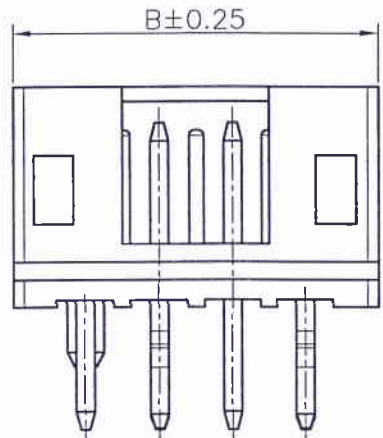
A
B
C
D
E
F
G
H

A
B
C
D
E
F
G
H



12001W00-NPX-F-H1-XX-HF-NK
① ② ③④⑤ ⑥ ⑦ ⑧ ⑨

- ① Series No.
- ② W00 : Up Contact
- ③ No. of Circuits
- ④ X : Product color(A--Y)
Blank: Natural Type A: Black
- ⑤ F : With Boss
- ⑥ H1 : High temperature plastic,UL94V-0
- ⑦ Blank: : Tin 5A: Gold Flash
- ⑧ HF : Halogen Free
- ⑨ NK : No Mark



Specifications:
 Rated Voltage : 100V AC/DC
 Rated Current : 2A AC,DC
 Withstand Voltage : 800V AC/minute
 Contact Resistance : 10mΩ(MAX.)
 Insulation Resistance : 1000MΩ(MIN.)
 Temperature Range : -25°C~+85°C
 Contact: Brass
 Insulator: LCP,UL94V-0,Halogen Free
 The product using material and processing must conform to the "WI-PZ-142"HSF technical standard control requirements

Circuits	Dimensions	
	A	B
4P	6.00	10.00
5P	8.00	12.00
6P	10.00	14.00
7P	12.00	16.00
8P	14.00	18.00
9P	16.00	20.00
10P	18.00	22.00
11P	20.00	24.00
12P	22.00	26.00
13P	24.00	28.00
14P	26.00	30.00
15P	28.00	32.00
16P	30.00	34.00

REV.	REVISION RECORD	DATE	GENERAL TOLERANCES	SCALE:	NAME	DATE	JCTC® 胜蓝科技股份有限公司 TERMINAL&CONNECTORS 东莞市富智达电子科技有限公司	PART. NO:
C0	新图面发行	14.03.04	LINER	1:1				
C1	新增规格	15.01.21	ANGLES	APPROVED				DWG. NO:
C2	更新公司名称	17.07.12	0.0±0.25	DESIGNER				ENDE05
			0.00±0.15	DRAWN	伍文聪	17.07.12	TITLE:	REV: C2 SHEET: 1/1
			0.000±0.08				2.00mm PITCH DIP TYPE 180° WAFER-With Boss	

1 2 3 4 5 6 7 8