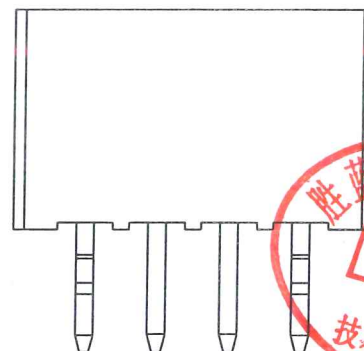
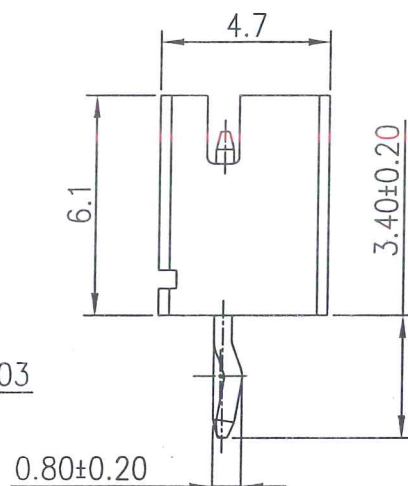
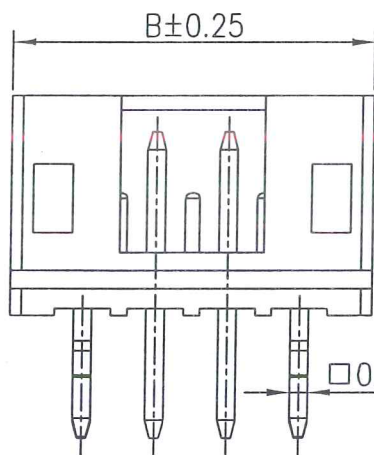
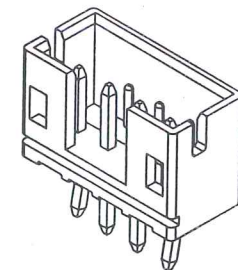
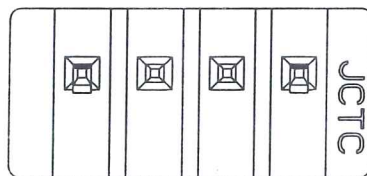


Specifications:  
 Rated Voltage : 100V AC/DC  
 Rated Current : 3A AC,DC  
 Withstand Voltage : 800V AC/minute  
 Contact Resistance : 10mΩ(MAX.)  
 Insulation Resistance : 1000MΩ(MIN.)  
 Temperature Range : -25°C~+85°C  
 The product using material and processing must conform to the "WI-PZ-142"HSF technical standard control requirements



PART NO.	Dimensions	
	A	B
2P	--	6.00
3P	4.00	8.00
4P	6.00	10.00
5P	8.00	12.00
6P	10.00	14.00
7P	12.00	16.00
8P	14.00	18.00
9P	16.00	20.00
10P	18.00	22.00
11P	20.00	24.00
12P	22.00	26.00
13P	24.00	28.00
14P	26.00	30.00
15P	28.00	32.00
16P	30.00	34.00



12001W00-NPX-HF  
 ① ② ③ ④ ⑤

- ① Series No.
- ② W90 : Side Contact  
W00 : Up Contact
- ③ No. of Circuits
- ④ X : Product color(A--Y)
- ⑤ HF : Halogen Free

Part No.	Material	Color	PIN Material
12001W00-NP-HF	Nylon 66,UL94V-0	Natural(White)	Brass/Tin-plated
12001W00-NPA-HF	Nylon 66,UL94V-0	Black	Brass/Tin-plated
12001W00-NPC-HF	Nylon 66,UL94V-0	Red	Brass/Tin-plated
12001W00-NPE-HF	Nylon 66,UL94V-0	Yellow	Brass/Tin-plated
12001W00-NPF-HF	Nylon 66,UL94V-0	Green	Brass/Tin-plated
12001W00-NPG-HF	Nylon 66,UL94V-0	Blue	Brass/Tin-plated
12001W00-NPY-HF	Nylon 66,UL94V-0	Yellow	Brass/Tin-plated
12001W00-NPP-HF	Nylon 66,UL94V-0	Blue	Brass/Tin-plated
12001W00-NPR-HF	Nylon 66,UL94V-0	Red	Brass/Tin-plated

REV.	REVISION RECORD	DATE	UNIT	GENERAL TOLERANCES	SCALE:	NAME	DATE	PART. NO.:	DWG. NO.:	 <b>JCTC</b> ® TERMINAL&CONNECTORS	
C5	依客户要求新增颜色规格	13. 11. 21	MM	LINEAR	1:1	NAME		12001W00-NPX-HF	ENDE05		
C6	更新公司名称	17. 01. 18		ANGLES	APPROVED						
D0	依WN1808170153设变	18. 08. 17		0.00±0.15	X° REF±6°	DESIGNER					
D1	换图框发行	20. 12. 01		0.00±0.15	X° ±3°	DRAWN					
				0.000±0.08	X° X'±2°						
TITLE:								2.00mm PITCH DIP TYPE 180° WAFER		REV: D1	SHEET: 1/1