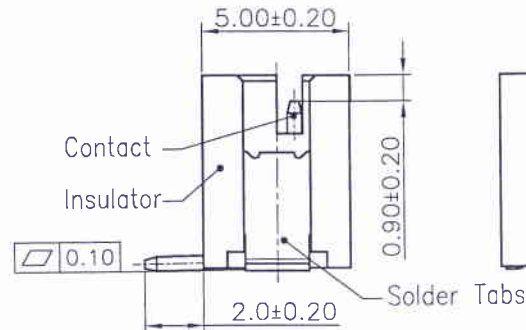
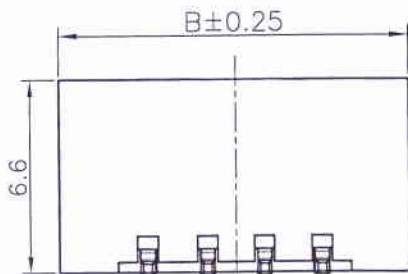
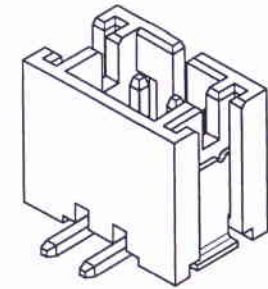
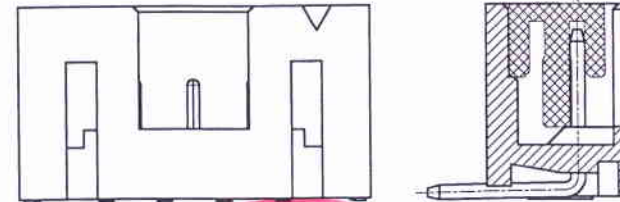


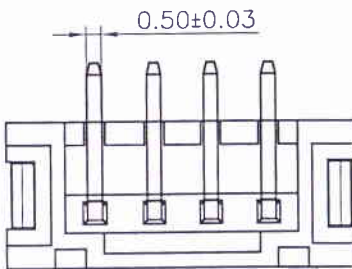
Specifications:
 Rated Voltage : 100V AC/DC
 Rated Current : 2A AC,DC
 Withstand Voltage : 800V AC/minute
 Contact Resistance : 10mΩ(MAX.)
 Insulation Resistance : 1000MΩ(MIN.)
 Temperature Range : -25°C~+85°C
 Cap: Thermal Plasticity Resin,UL94V-0
 The product using material and processing must conform to the "WI-PZ-142"HSF technical standard control requirements



CAP
 (FOR PICK AND PLACE SYSTEMS)



PART NO.	Dimensions	
	A	B
2P	--	8.00
3P	4.00	10.00
4P	6.00	12.00
5P	8.00	14.00
6P	10.00	16.00
7P	12.00	18.00
8P	14.00	20.00
9P	16.00	22.00
10P	18.00	24.00
11P	20.00	26.00
12P	22.00	28.00
13P	24.00	30.00
14P	26.00	32.00
15P	28.00	34.00
16P	30.00	36.00



12001W00-NPA-S-XX-HF-R
 ① ② ③④⑤⑥ ⑦ ⑧

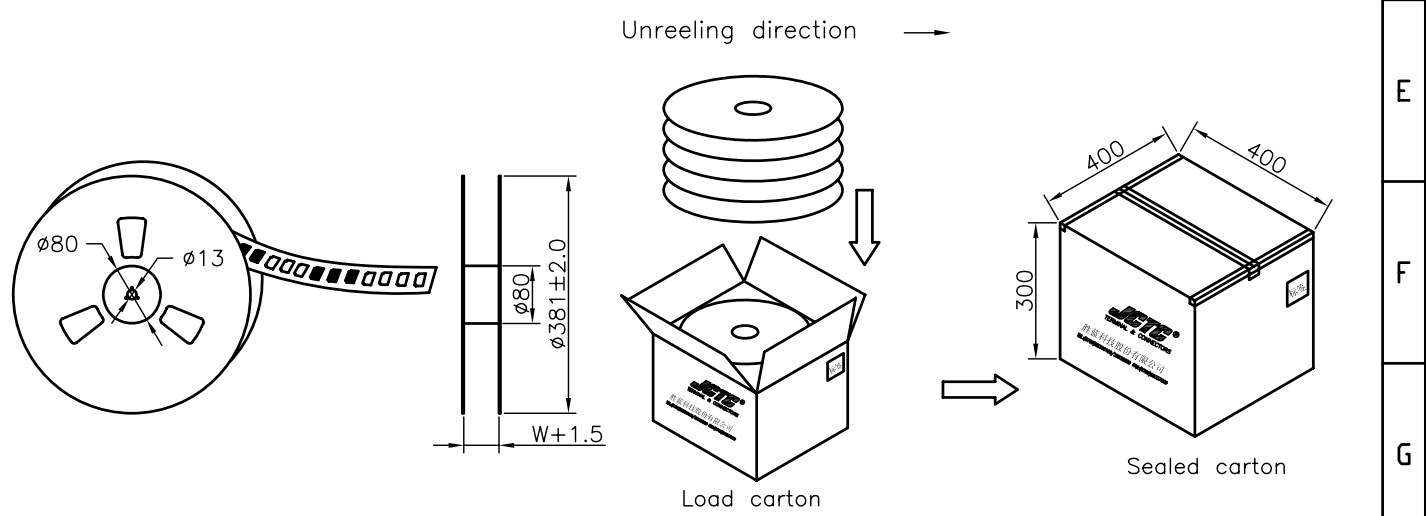
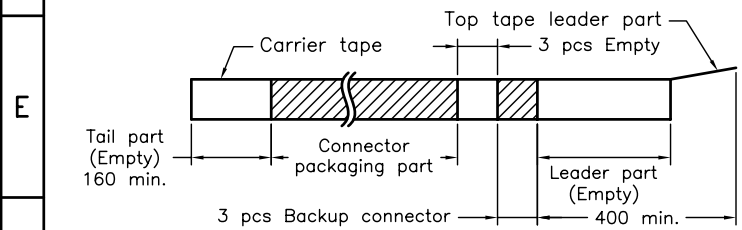
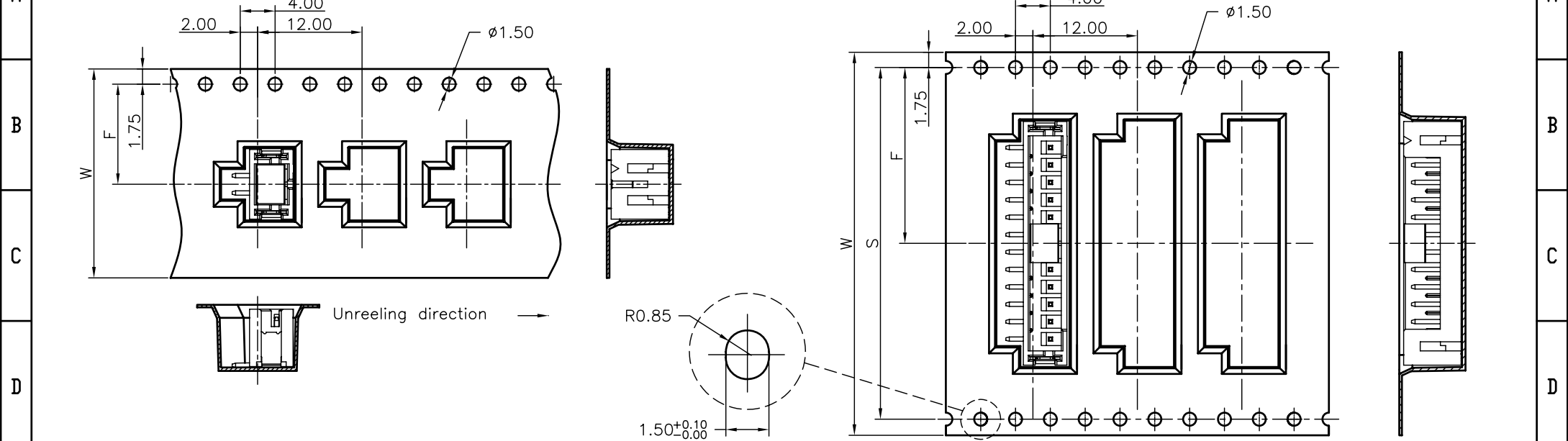
- ① Series No.
- ② W90 : Side Contact
W00 : Up Contact
- ③ No. of Circuits
- ④ A: Black
- ⑤ S: SMT Type
- ⑥ H1: H1 Type
5A: Gold-flash 3E: Matte-Tin
- ⑦ HF: Halogen Free
- ⑧ R: Tape & Reel(With Cap)



Part No.	Material	Color	PIN Material	Solder Tabs
12001W00-NP-S-R	Nylon 6T,UL94V-0	Natural(Beige)	Brass/Tin-plated	Brass/Tin-plated
12001W00-NP-S-HF-R	LCP,UL94V-0	Natural(Beige)	Brass/Tin-plated	Brass/Tin-plated
12001W00-NP-S-5A-HF-R	LCP,UL94V-0	Natural(Beige)	Brass/Gold-flash	Brass/Tin-plated
12001W00-NP-S-3E-HF-R	LCP,UL94V-0	Natural(Beige)	Brass/Matte-Tin	Brass/Matte-Tin
12001W00-NPA-S-H1-HF-R	HTN,UL94V-0	Black	Brass/Tin-plated	Brass/Tin-plated

REV.	REVISION RECORD	DATE	GENERAL TOLERANCES	SCALE: 1:1	NAME	DATE	JCTC ® 胜蓝科技股份有限公司 TERMINAL&CONNECTORS 东莞市富智达电子科技有限公司	PART. NO:
C1	增加系列PIN位	13. 05. 09	 LINEAR ANGLES 0.0±0.25 X° REF±6°	APPROVED	<i>[Signature]</i>	18.08.07		12001W00-NP-S-XX
C2	更新公司名称	17. 04. 19		DESIGNER	<i>[Signature]</i>	18.08.07		
C3	依WN1804110044执行	18. 04. 11	UNIT: MM 0.00±0.15 X° ±3°	DRAWN	伍文聪	18. 08. 07		TITLE: PH 2.00mm PITCH WAFER-SMT TYPE
C4	依180807185增加规格	18. 08. 07	SIZE: M1 0.000±0.08 X° X'±2°				REV: C4	SHEET: 1/2

2~5 Contacts 6~16 Contacts



Number of Contacts	W±0.3	F±0.1	S±0.1	Q'ty/Reel	Q'ty/Box
2P~5P	24	11.50	28.40	1,000	10,000
6P~8P	32	14.20	40.40	1,000	8,000
9P~12P	44	20.20	52.40	1,000	6,000
13P~16P	56	26.20		1,000	5,000

REV.	REVISION RECORD	DATE	GENERAL TOLERANCES		SCALE:	NAME	DATE	JCTC ® 胜蓝科技股份有限公司 TERMINAL&CONNECTORS 东莞市富智达电子科技有限公司	PART. NO:
C0	新图面发行	10.06.18	LINEAR	ANGLES	1:1				12001W00-NP-S-XX
C1	增加系列PIN位	13.05.09	0.0±0.25	X° REF±6°	APPROVED			DWG. NO:	
C2	更新公司名称	17.04.19	0.00±0.15	X° ±3°	DESIGNER			ENDE05	
			SIZE: A4	0.000±0.08	X° X'±2°	DRAWN	伍文聪	17.04.19	TITLE: PH 2.00mm PITCH WAFER-SMT TYPE
								REV: C2	SHEET: 2/2