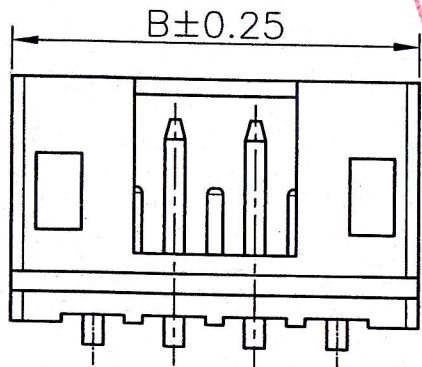
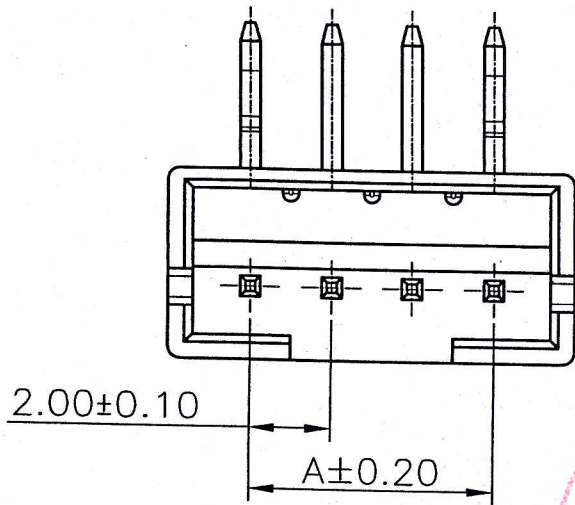
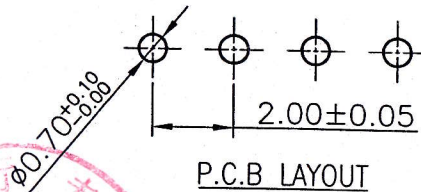
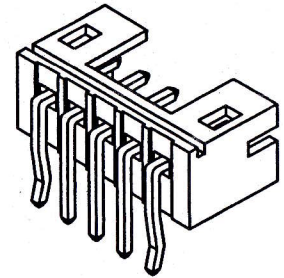


环保物料



Specifications:
 Rated Voltage : 100V AC/DC
 Rated Current : 2A AC,DC
 Withstand Voltage : 800V AC/minute
 Contact Resistance : 10mΩ(MAX.)
 Insulation Resistance : 1000MΩ(MIN.)
 Temperature Range : -25°C~+85°C



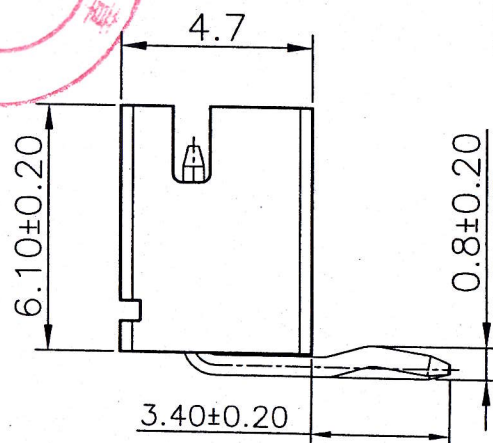
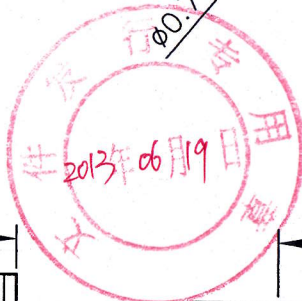
12001W90-NP-B-HF

① ② ③ ④ ⑤

- ① Series No.
- ② W90 : Side Contact
W00 : Up Contact
- ③ No. of Circuits
- ④ B : B Type
- ⑤ HF : Halogen Free

Dimensional Ordering Information:

Circuits No.	Dimensions	
	A	B
2P	2.00	5.90
3P	4.00	7.90
4P	6.00	9.90
5P	8.00	11.90
6P	10.00	13.90
7P	12.00	15.90
8P	14.00	17.90
9P	16.00	19.90
10P	18.00	21.90
11P	20.00	23.90
12P	22.00	25.90
13P	24.00	27.90
14P	26.00	29.90
15P	28.00	31.90
16P	30.00	33.90



Part No.	Material	Color	Pin Material
12001W90-NP-B-HF	Nylon 66,UL94V-0	Natural(White)	Brass/Tin-plated

一般公差 GENERAL TOLERANCE		绘图 DR. 伍文聪 校对 CHK. [Signature] 审核 APPD. [Signature]
XX ±0.25	X' ±5'	
X.XX ±0.15	X.X' ±2'	
X.XXX ±0.08	▲ MAJOR DIM.	
单位 UNIT	mm	

JCTC 东莞市胜蓝电子有限公司
 TERMINAL & CONNECTORS
 品名 TITLE: PH 2.0mm PITCH WAFER

料号 PART NO.	12001W90-NP-B-HF
文件编号 NUMBER	ENDE05
比例 SCALE	1/1
SHEET	1/1
版次 REV.	CO

版次 REV.	CO	日期 DATE	13.06.19	变更内容 DESCRIPTION	新版图面发行	审核 CHK.	樊友莲	核准 APPD.	王志刚
---------	----	---------	----------	------------------	--------	---------	-----	----------	-----