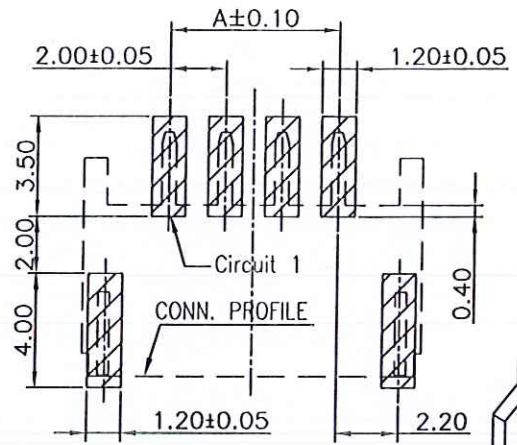
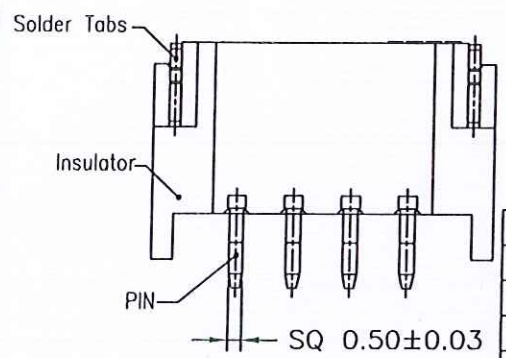
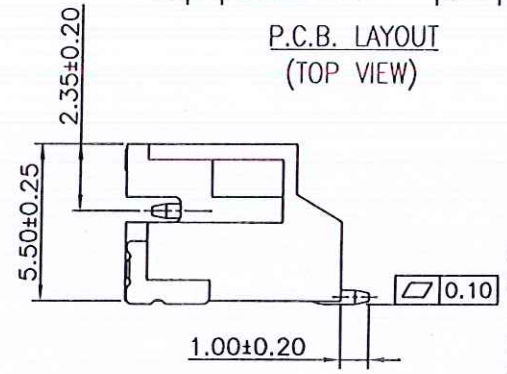
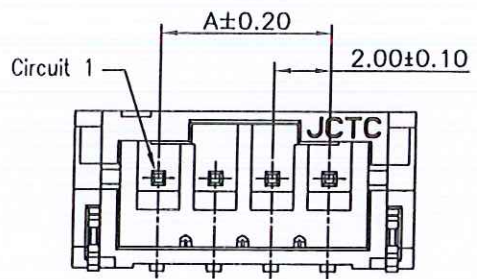


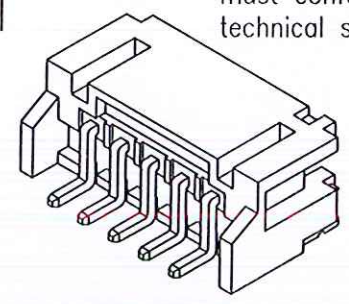
TOP VIEW



P.C.B. LAYOUT (TOP VIEW)



Specifications:
 Rated Voltage : 100V AC/DC
 Rated Current : 2A AC,DC
 Withstand Voltage : 800V AC/minute
 Contact Resistance : 10mΩ(Max.)
 Insulation Resistance : 1000MΩ(Min.)
 Temperature Range : -25°C~+85°C
 The product using material and processing must conform to the "WI-PZ-142"HSF technical standard control requirements



PART NO.	Dimensions	
	A	B
2P	--	8.00
3P	4.00	10.00
4P	6.00	12.00
5P	8.00	14.00
6P	10.00	16.00
7P	12.00	18.00
8P	14.00	20.00
9P	16.00	22.00
10P	18.00	24.00
11P	20.00	26.00
12P	22.00	28.00
13P	24.00	30.00
14P	26.00	32.00
15P	28.00	34.00
16P	30.00	36.00

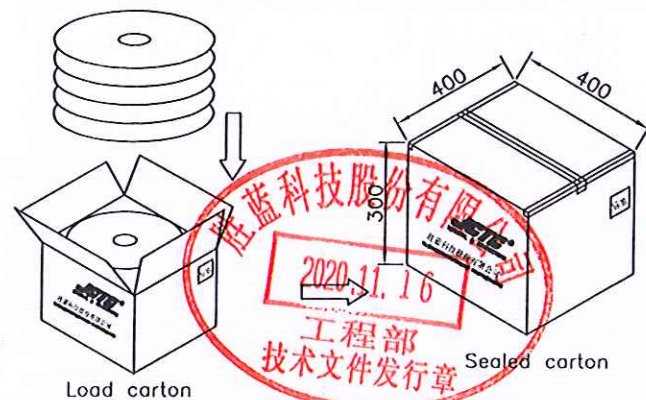
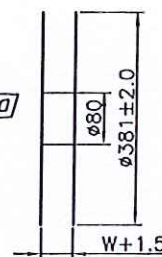
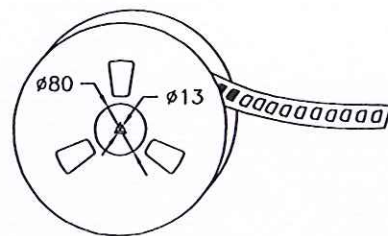
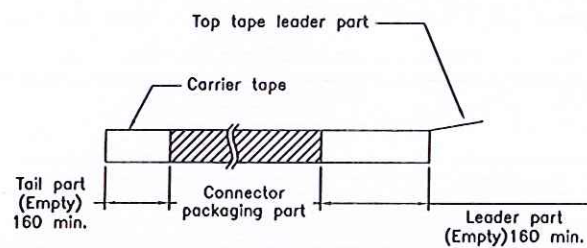
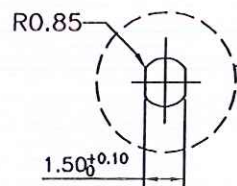
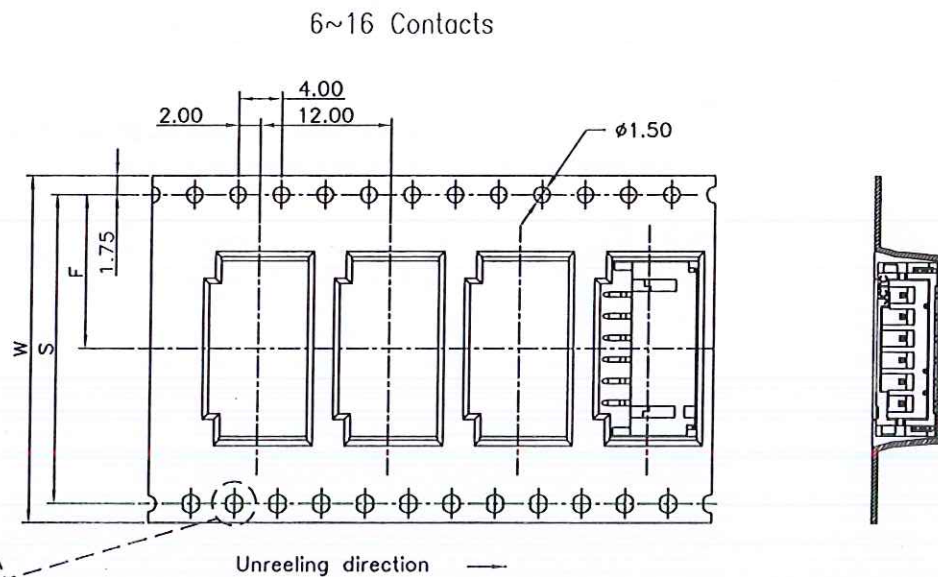
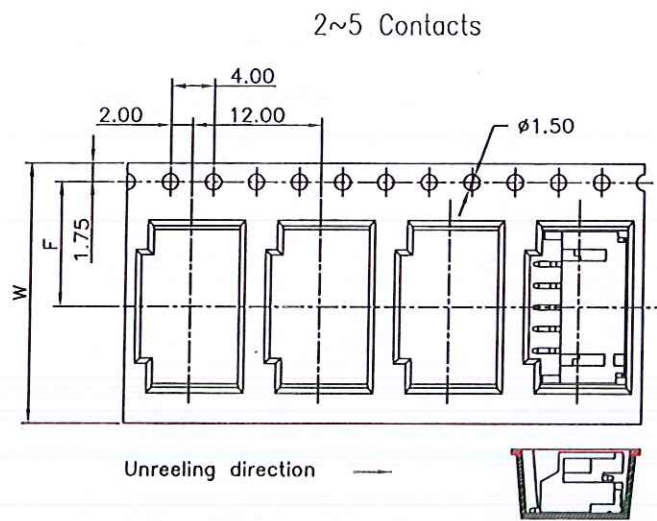
12001W90-NPX-S-XX-HF-R
 ① ② ③④⑤⑥⑦⑧

- ① Series No.
- ② W90 : Side Contact
W00 : Up Contact
- ③ No. of Circuits
- ④ X: Product color (A-Y)
Blank : Natural type
- ⑤ S: SMT Type
- ⑥ XX : PIN Plated
- ⑦ HF: Halogen Free
- ⑧ R : Tape & Reel(Without Cap or Mylar)



Part No.	Material	Color	PIN Material	Solder Tabs
12001W90-NP-S-R	High temperature plastic,UL94V-0	Natural(Beige)	Brass/Tin-plated	Brass/Tin-plated
12001W90-NP-S-3E-R	High temperature plastic,UL94V-0	Natural(Beige)	Brass/Matte Tin-plated	Brass/Tin-plated
12001W90-NP-S-HF-R	High temperature plastic,UL94V-0	Natural(Beige)	Brass/Tin-plated	Brass/Tin-plated
12001W90-NPA-S-HF-R	High temperature plastic,UL94V-0	Black	Brass/Tin-plated	Brass/Tin-plated

REV.	REVISION RECORD	DATE	GENERAL TOLERANCES	SCALE:	NAME	DATE	PART. NO.:	DWG. NO.:	JCTC® TERMINAL&CONNECTORS
C1	WN1601200011	16. 01. 20	LINEAR	1:1			12001W90-NPX-S-XX	ENDE05	
C2	更新公司名称	17. 05. 04	0.0±0.25	APPROVED					
C3	WN2008070199	19. 12. 02	X° REF±6°	DESIGNER					
C4	WN2010230301	20. 10. 23	0.00±0.15	X° ±3°					
			0.000±0.08	X° X'±2°					
							TITLE:		
							2.00mm PITCH 90° SMT TYPE WAFER		
								REV: C4	SHEET: 1/2



世蓝科技股份有限公司
2020.11.16
工程部部长
技术文件发行章

Number of Contacts	W±0.3	F±0.1	S±0.1	Q'ty/Reel	Q'ty/Box
2~5P	24	11.50	--	1,000	10,000
6~8P	32	14.20	28.40	1,000	8,000
9~12P	44	20.20	40.40	1,000	6,000
13~16P	56	26.20	52.40	1,000	5,000

REV.	REVISION RECORD	DATE	GENERAL TOLERANCES	SCALE:	NAME	DATE	PART. NO:	DWG. NO:
C0	新图面发行	14.05.05	LINEAR	1:1			12001W90-NP-S-XX	ENDE05
C1	修正2P载带宽度	16.01.20	0.0±0.25	APPROVED	张振坤	20.10.23	TITLE: 2.00mm PITCH 90° SMT TYPE WAFER	JCTC® TERMINAL&CONNECTORS
C2	更新公司名称	17.05.04	X° REF±6°	DESIGNER	张振坤	20.10.23		
C3	WN2010230301	20.10.23	X° ±3°	DRAWN	张振坤	20.10.23		
			UNIT: MM					REV: C3
			SIZE: A4					SHEET: 2/2