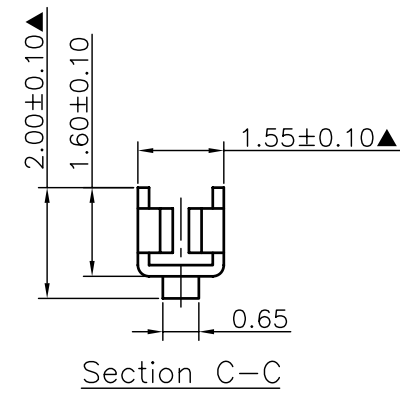
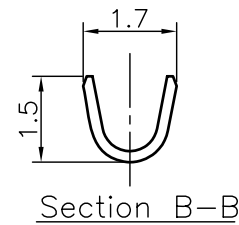
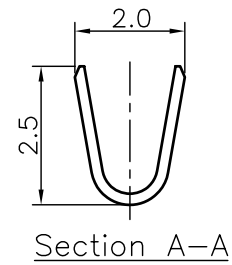
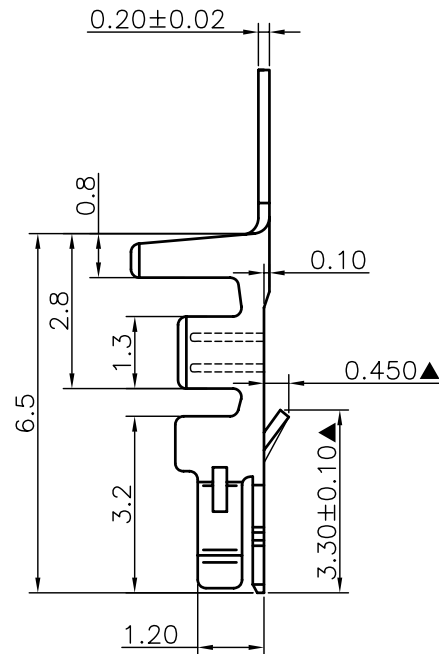
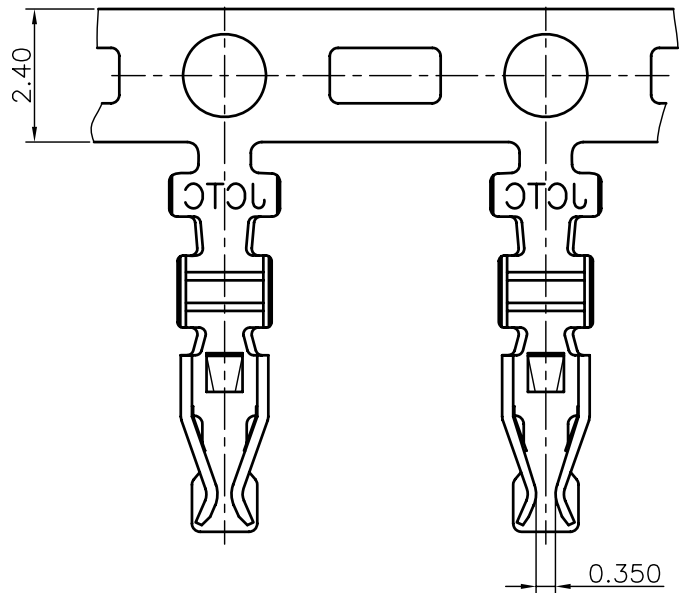


环保物料



Specification & Ordering Information:

Part No	Wire Range	Insulation O.D.	Material	Finish	Qty/reel
12002TOP-3E-2	AWG #24~#28	1.50mm(max)	Phosphor Bronze	Matte Tin plated on Ni	10,000 PCS

REV.	REVISION RECORD	DATE		GENERAL TOLERANCES		SCALE:	NAME	DATE	JCTC [®] <input type="checkbox"/> 苏州伟聚 <input type="checkbox"/> 东莞胜景 TERMINAL&CONNECTORS <input checked="" type="checkbox"/> 东莞胜蓝	PART. NO:
C0	新图面发行	12. 12. 18		LINEAR	ANGLES	1:1				
C1	TN1307050105	13. 07. 08	UNIT: MM	0.0±0.25	X° REF±6°	DESIGNER	肖坤权	14. 09. 19	TITLE:	DWG. NO:
C2	依JST修正Insulation O.D.	14. 09. 19		0.00±0.15	X° ±3°					
			SIZE: A4	0.000±0.08	X° X'±2°					REV: C2 SHEET: 1/1